

PIERRE

EN - User manual

Stand mixer

PSM9000

NL - Gebruikshandleiding 22
Standmixer

FR - Notice d'utilisation 41
Robot de cuisine

DE - Benutzerinformation 60
Standmixer

USER MANUAL






FOREWORD	4
1. SAFETY	6
1.1 Safety warnings	6
1.2 Intended use and anticipated unintended use	8
2. PRODUCT FEATURES	9
2.1 Technical specifications	9
2.2 Main components and standard attachments	9
2.3 Warranty	9
3. INSTALLATION	10
3.1 Requirements for place where device is installed	10
3.2 Remove and check the packaging	10
3.3 Clean before first use	10
3.4 Assembling the device	10
3.4.1 Whisk, beater, flexi beater and dough hook	10
3.4.2 Vegetable slicer and grater or meat mincer	12
3.4.3 Blender	12
4. USE	13
4.1 Overview of functions	13
4.2 Usage guidelines	13
4.3 Operating the device	14
4.3.1 Operation	14
4.3.1.1 Whisk, beater, flexi beater and dough hook	14
4.3.1.2 Vegetable slicer and grater or meat mincer	15
4.3.1.3 Blender	15
4.3.2 After use	15
4.3.2.1 Whisk, beater, flexi beater and dough hook	15
4.3.2.2 Vegetable slicer and grater or meat mincer	17
4.3.2.3 Blender	17
5. CLEANING AND MAINTENANCE	18
5.1 Cleaning the device	18
6. TROUBLESHOOTING	19
7. PUTTING THE DEVICE AWAY	21
8. DISPOSAL	21
8.1 Disposing of packaging material	21
8.2 Disposing of the device	21

FOREWORD

ABOUT THIS DOCUMENT

- This manual contains all the information required for the correct, efficient and safe use of the device.
- This manual is intended for the end user and/or buyer of this device.
- Make sure you have read and understood the instructions in this manual completely before installing or using the device. Keep this document for future reference for as long as you use and/or own the device.
- Wisepick Productions B.V. cannot in any way be held liable for immaterial damage to you or to others, or material damage to the device, your property or property of others caused by not following or not correctly following the instructions in this manual.
- The warnings and safety instructions in this manual do not cover all possible circumstances and situations.
- If you contact our customer service, make sure you have the model number at hand. That information can be found on the type plate or on the front of this manual.

SYMBOLS USED

SYMBOL	DESCRIPTION
 DANGER!	Indicates a fire hazard and/or flammable materials.
 WARNING!	Indicates a dangerous situation which, if not avoided, can result in serious immaterial damage to you or others.
 CAUTION!	Indicates a dangerous situation which, if not avoided, can result in slight immaterial damage to you or others.
 ATTENTION!	Indicates a situation related to material damage.
 NOTE	Indicates useful additional information.

NOTE

You can also find the latest version of this manual online on www.coolblue.nl/en if you search by the article number.

COPYRIGHT

The data depicted in this manual, including texts, photographs, graphic drawings, trademarks, (trade) names and logos, are the property of Wisepick Productions B.V. and are protected by copyright, trademark law and/or any other intellectual property right, unless these data belong to a third party. You are never allowed to reproduce, transfer, distribute, store or make the contents of the manual available to third parties, in whole or in part, without the prior written consent of Wisepick Productions B.V. and/or the third party to whom the data belong.

CONTACT DETAILS

Pierre is a registered brand of Wisepick Productions B.V.

Customer service can be reached at: www.coolblue.nl/en/customer-service

WISEPICK PRODUCTIONS B.V.

Weena 664

3012 CN Rotterdam

The Netherlands

1. SAFETY

Make sure you have read and understood the safety instructions fully before installing, using or maintaining the device. In this way you avoid possible material damage and immaterial damage to you or to others, the device, your other property or other people's property.

1.1 Safety warnings

WARNING!

- Always be alert and careful. Do not use electrical devices if you suffer from impaired concentration or lack the necessary awareness, or if you are under the influence of drugs, alcohol or medication. Even the slightest distraction can lead to serious accidents and injuries when using electrical devices.
- Make sure you have read and understood the instructions in this manual completely before installing or using the device. Keep this document for future reference for as long as you use and/or own the device.
- Only use the product as described in this manual.
- Do not use the device if any of its components are damaged or faulty. Replace a damaged or faulty device immediately. Unplug the plug and contact customer service.
- Never pull the power cable to disconnect the plug from the socket. Always hold the plug firmly and pull it straight out of the socket.
- Never immerse the device in water or other liquids.
- Always remove the plug from the socket before cleaning the device.
- Never leave the device unattended while in use. Turn off the device and remove the plug from the socket when you leave the room.
- Place the device on a flat, stable, heat-resistant and moisture-resistant surface.
- Do not move the device when the power is turned on.
- Do not insert objects or your hands in the device when it is in use.
- Before using the device, check that the voltage on the type plate matches the voltage of the socket. Only connect the device to an earthed socket.

- Do not expose the product to heat, direct sunlight or moisture.
- Keep the power cable away from heat, oil, sharp edges or moving parts.
- Unplug the device when it is wet or damp.
- Never operate the device with wet hands.
- **RISK OF SUFFOCATION.** Never let children play with the packaging material. Keep the packaging material out of reach of children.
- Do not insert objects into the rotating hooks while the machine is in use.
- Plug in only after the required attachments have been fitted.
- Ensure that long hair and loose clothing cannot enter the device during use.
- Never wrap the power cable around the device. Fully unwind the power cable before use.
- Do not perform any repairs to the device that are not described in this manual. The device may only be repaired by an authorised service technician.
- Only use the power cable installed on the device by the manufacturer. Do not change the power cable.
- **TRIP HAZARD DUE TO LOOSE CABLES.** Never leave the power cable in such a position that someone could trip over it or inadvertently pull it.
- This device is not intended for use by persons (including children) with limited physical, sensory or mental capabilities or lack of experience and knowledge, unless they have been given supervision or instructions concerning use of the device by a person responsible for their safety.
- Never clean the device with aggressive or abrasive cleaners, or sharp objects.
- Never drop the device and avoid bumping it. Dropping or bumping the device may affect the proper operation of the device. Do not use the device if it has been dropped.
- Cleaning and user maintenance must not be carried out by children without supervision.
- Never place the device in a dishwasher.
- Only use the attachments provided with the product.

1.2 Intended use and anticipated unintended use

- This device is designed for the automatic mixing, beating, whisking and kneading of ingredients and food items.
- This device is only intended for use indoors.
- This device is intended for domestic use.
- This device is not intended for commercial use.
- This device is not intended for use by persons (including children) with limited physical, sensory or mental capabilities or lack of experience and knowledge, unless they have been given supervision or instructions concerning use of the device by a person responsible for their safety.
- This device may not be used by children under 8 years of age.
- Any use of the device other than as described in this manual is considered to be unintended use and can result in material and immaterial damage to you or to others, the device, your other property or other people's property and the expiry of the warranty.

NOTE

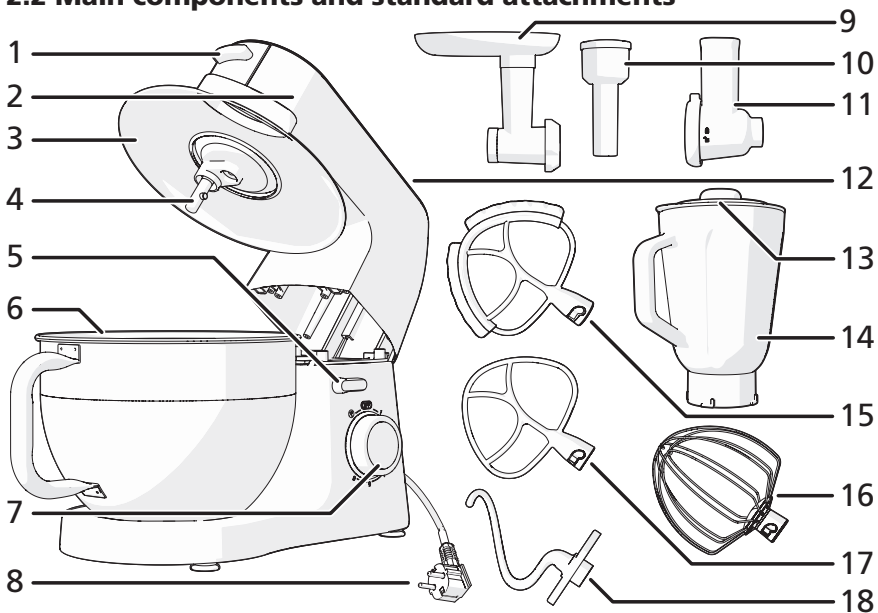
The maximum speed and fill weight of the mixer can vary, depending on the weight and consistency of the ingredients. Always consult the manual before using any specific function of the device.

2. PRODUCT FEATURES

2.1 Technical specifications

Type of stand mixer	PSM9000
Dimensions (l x w x h)	33 x 24 x 35.7 cm
Nominal voltage	220 - 240 V ~, 50 - 60 Hz
Energy consumption	1500 W
Cable length	1 metre
Maximum mixing bowl capacity	6 L

2.2 Main components and standard attachments



- | | | |
|---------------------------|---------------------------------|------------------|
| 1. Front protective cover | 7. Control button | 13. Blender lid |
| 2. Arm | 8. Mains plug | 14. Blender |
| 3. Splash guard | 9. Meat mincer | 15. Flexi beater |
| 4. Drive shaft | 10. Food pusher | 16. Whisk |
| 5. Tilt-head lever | 11. Vegetable slicer and grater | 17. Beater |
| 6. Mixing bowl | 12. Top protective cover | 18. Dough hook |

2.3 Warranty

This device comes with a warranty period of three years after purchase. For more information about the warranty conditions, please visit www.coolblue.nl/en/customer-service. In order to be able to make a claim against the warranty, you must have the proof of purchase that states the purchase and/or delivery date.

3. INSTALLATION

Before installing the device, carefully review the safety information in chapter 1.

3.1 Requirements for place where device is installed

Place the device on a surface that satisfies the following conditions:

- A flat, stable, heat-resistant and moisture-resistant surface.
- Not in direct sunlight.
- Not directly next to heat sources, such as heaters or stoves.

3.2 Remove and check the packaging

Check that all components are present and that the device and the accessories are not damaged.

If components are missing or damaged, please contact Coolblue: www.coolblue.nl/en/customer-service

3.3 Clean before first use

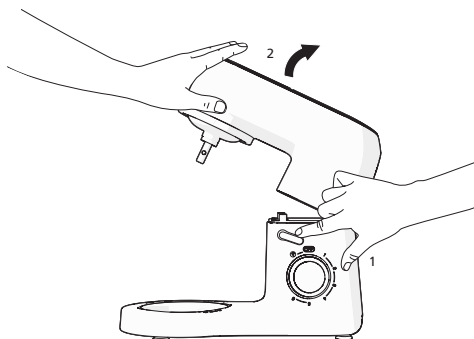
1. Clean the following components with hot water and washing-up liquid:
 - Splash guard
 - Mixing bowl
 - Dough hook
 - Whisk
 - Beater
 - Flexi beater
 - Vegetable slicer and grater
 - Meat mincer
 - Food pusher
 - Blender
2. Clean the outside of the device with a soft, damp cloth.
3. Dry all components with a soft cloth.

3.4 Assembling the device

Place the device on a suitable surface.

3.4.1 Whisk, beater, flexi beater and dough hook

1. Apply gentle downward pressure to the arm.
2. Push the tilt-head lever down to unlock and raise the arm.



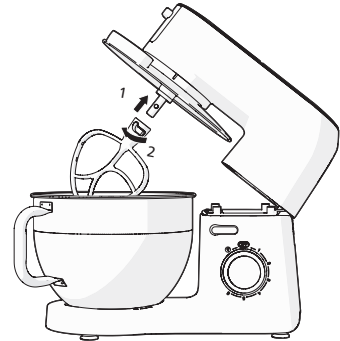
- Place the mixing bowl in the holder and turn it anticlockwise until it clicks into place.



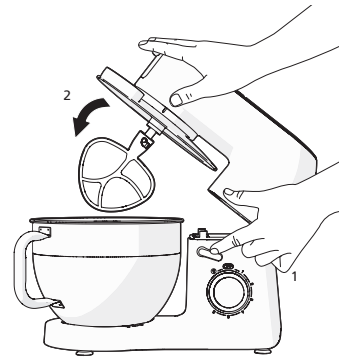
- Place the splash guard over the drive shaft and turn it clockwise until it clicks into place.
- Place the desired attachment over the drive shaft and turn it clockwise until it clicks into place.
- Fill the mixing bowl with the desired ingredients.

! ATTENTION!

RISK OF DAMAGE TO THE DEVICE:
Do not overfill the mixing bowl. Refer to chapter 4.2 for usage guidelines.

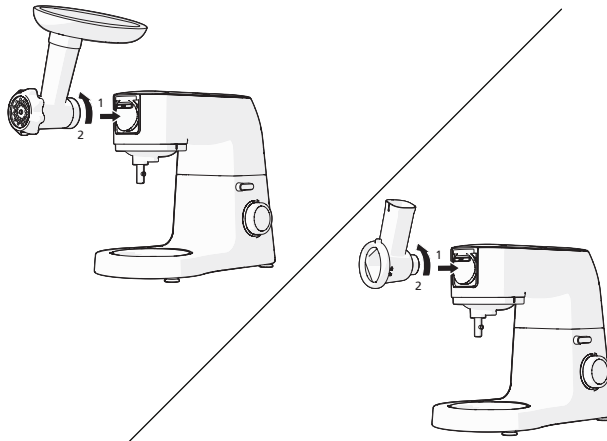


- Push the tilt-head lever down to unlock and lower the arm.



3.4.2 Vegetable slicer and grater or meat mincer

1. Make sure the arm is in the down position.
2. Remove the front protective cover.
3. Insert the desired attachment in the vegetable slicer and grater or meat mincer.



4. Place the vegetable slicer or meat mincer on the connection point and turn it anticlockwise until it clicks into place.
5. Fill the vegetable slicer and grater with the desired ingredients or fill the loading tray with meat.

! ATTENTION!

RISK OF DAMAGE TO THE DEVICE:

Do not overfill the vegetable slicer or meat mincer. Refer to chapter 4.2 for usage guidelines.

6. Place the mixing bowl under the opening of the vegetable slicer and grater or meat mincer.

3.4.3 Blender

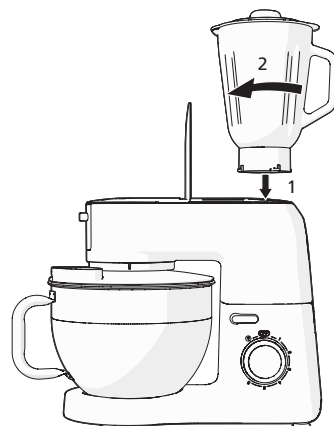
1. Make sure the arm is in the down position.
2. Open the top protective cover.
3. Place the blender on the connection point and turn it clockwise until it clicks into place.
4. Fill the blender.

! ATTENTION!

RISK OF DAMAGE TO THE DEVICE:

Do not overfill the blender. Refer to chapter 4.2 for usage guidelines.

5. Place the blender's splash guard on the blender and turn it clockwise until it clicks into place.



4. USE

WARNING!

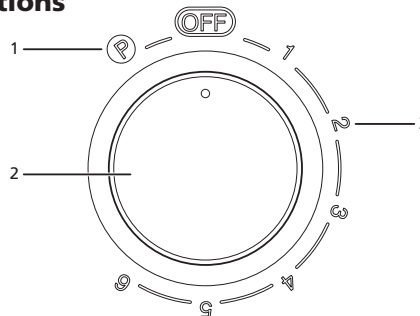
DANGER FROM MOVING COMPONENTS

- Do not insert objects or your hands in the device when it is in use.
- Do not insert objects into the rotating hooks while the machine is in use.
- The attachments may continue to move for a short period after stopping the device. Do not touch the attachments until they have come to a complete halt.
- Only switch on the device when the arm is down.

ATTENTION!



- The maximum operating time for heavy mixtures is 10 minutes. After that, let the device cool down for at least 30 minutes.
- Only use the device in accordance with the usage guidelines stated in this manual.
- Vibrations at level 3 or higher are normal and do not affect the operation of the device.
- The product may give off a burnt smell during the first use. This is normal. The smell disappears after a while.






4.1 Overview of functions



1. Pulse
2. Speed button
3. Levels

4.2 Usage guidelines

Level	Attachment	Type of mixture	Maximum fill weight	Automatic timer
1-2		Heavy mixtures; pizza dough, bread dough, biscuit dough	1.2 kg	10 min.
3-4		Medium-heavy mixtures; pancake batter, cake batter, cheesecake	1.2 kg	10 min.

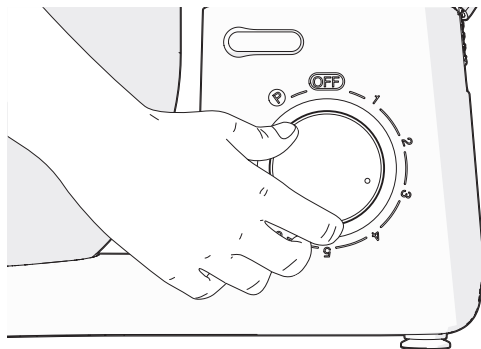
Level	Attachment	Type of mixture	Maximum fill weight	Automatic timer
3-4		Medium-heavy mixtures; pancake batter, cake batter, cheesecake	1.2 kg	10 min.
5-6		Light mixtures; egg, whipped cream, pastry cream	1.2 kg	10 min.
Pulse		Interval; smoothie, milkshake	1.2 kg	5 sec.
5-6		Mincer and grater; meat, vegetables, cheese	1.2 kg	10 min.
Pulse-6		Blender; smoothie, milkshake, fruit	1.2 kg	5 sec. 10 min.

4.3 Operating the device

4.3.1 Operation

4.3.1.1 Whisk, beater, flexi beater and dough hook

- Make sure the arm is down and the device is plugged into an earthed socket.
 - The device only operates when the arm is fully down.
- Turn the speed knob to the desired level.
- Turn the speed knob back to OFF to bring the device to a stop.
 - To use the Pulse level, press and hold in the speed knob in the Pulse position for the desired time. As soon as you release the speed button, it automatically returns to the OFF position.



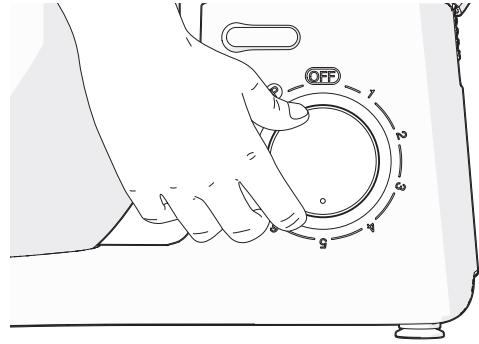
4.3.1.2 Vegetable slicer and grater or meat mincer

1. Insert the plug in an earthed socket.
 - (i) The device only operates when the arm is fully down.
2. Turn the speed knob to the desired level.

WARNING!

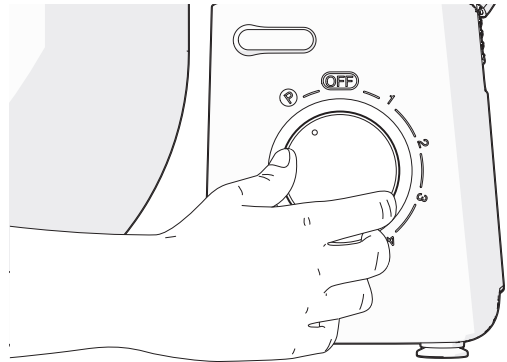
Never feed food into the attachments by hand. Always use the included food pusher.

3. Turn the speed knob back to OFF to bring the device to a stop.



4.3.1.3 Blender

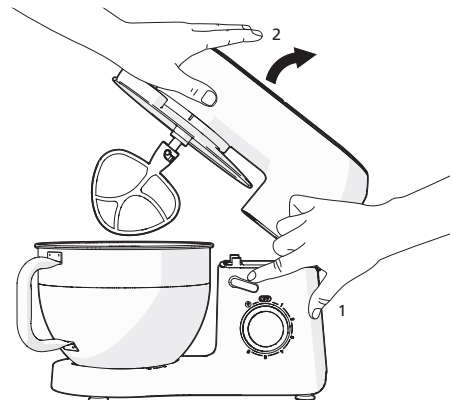
1. Insert the plug in an earthed socket.
 - (i) The device only operates when the arm is fully down.
2. Turn the speed knob to level 6 or Pulse.
3. Turn the speed knob back to OFF to bring the device to a stop.
 - (i) During use, ingredients can be added by removing the stopper in the blender's splash guard.



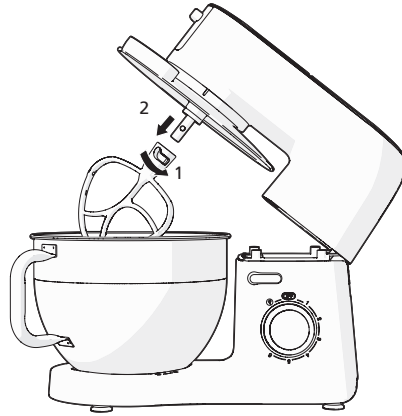
4.3.2 After use

4.3.2.1 Whisk, beater, flexi beater and dough hook

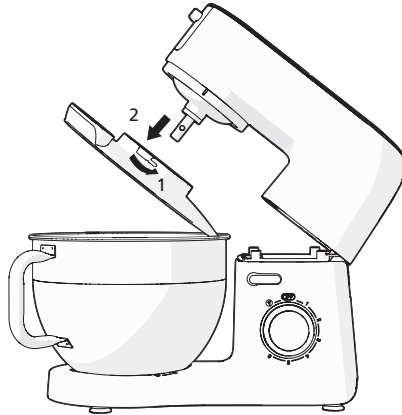
1. Remove the plug from the socket.
2. Apply gentle downward pressure to the arm.
3. Push the tilt-head lever down to raise the arm.



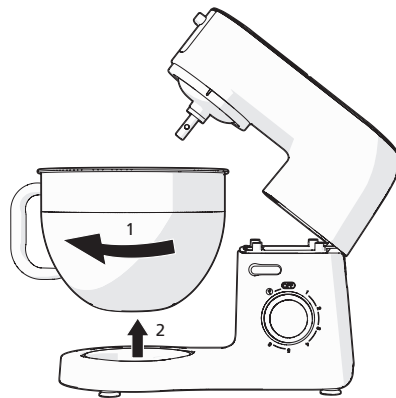
4. Remove the attachment from the drive shaft by turning it anticlockwise until it clicks loose.



5. Remove the splash guard from the drive shaft by turning it anticlockwise until it clicks loose.
6. Empty the mixing bowl with a spatula.

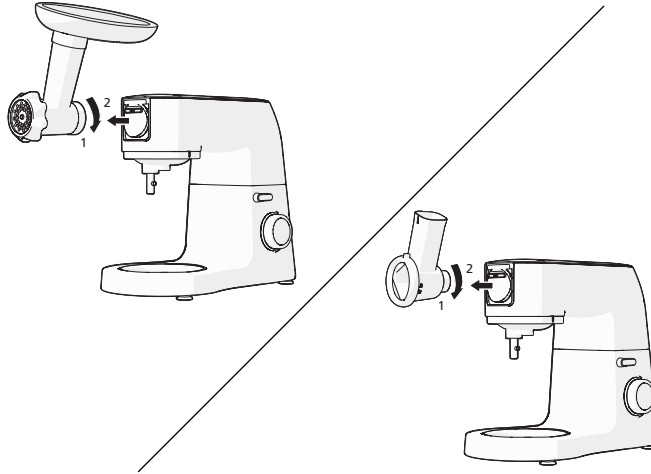


7. Remove the mixing bowl by turning it clockwise until it clicks loose.
8. Clean all components as described in chapter 5. Cleaning and maintenance.



4.3.2.2 Vegetable slicer and grater or meat mincer

1. Remove the plug from the socket.
2. Remove the food pusher and, if used, the loading tray.
3. Remove the meat mincer or vegetable slicer and grater from the connection point by turning it clockwise until it clicks loose.



4. Place the front protective cover back over the connection point.
5. Clean all components as described in chapter 5. Cleaning and maintenance.

4.3.2.3 Blender

1. Remove the plug from the socket.
2. Remove the blender from the connection point by turning it anticlockwise until it clicks loose.
3. Place the top protective cover back over the connection point.
4. Clean all components as described in chapter 5. Cleaning and maintenance.



5. CLEANING AND MAINTENANCE

Before cleaning and maintaining the device, carefully review the safety information from chapter 1.

5.1 Cleaning the device



WARNING!

ELECTROCUTION HAZARD DUE TO SHORT CIRCUIT. Never immerse the device in water or other liquids.

ELECTROCUTION HAZARD DUE TO SHORT CIRCUIT. Always remove the plug from the socket before cleaning the device.



CAUTION!

Always allow the device to come to a complete stop before maintenance or cleaning.



ATTENTION!

Never clean the device with aggressive or abrasive cleaners, or sharp objects.

Never place the device or attachments in a dishwasher.

Clean the device after each use.

1. Clean the following components with hot water and washing-up liquid:
 - Mixing bowl
 - Splash guard
 - Whisk
 - Beater
 - Dough hook
 - Vegetable slicer and grater
 - Meat mincer
 - Blender
 - Food pusher
 - Blender
 - Blender lid
2. Clean the outside of the device with a soft, damp cloth.
3. Dry all components with a soft cloth.
 - (i) Ensure that all components are dry before using them again.
 - (i) Regularly rub the drive shaft with a small amount of sunflower oil.

6. TROUBLESHOOTING

PROBLEM	POSSIBLE CAUSE	POSSIBLE SOLUTION
The device cannot be switched on.	The plug is not inserted properly in the socket.	Insert the plug properly.
	The power cable is defective.	An authorised service technician is needed to solve the problem. Please contact customer service.
The device switches off.	The device overheated because of prolonged continuous use.	Let the device cool down.
Attachments do not rotate or they jerk.	The device is faulty.	An authorised service technician is needed to solve the problem. Please contact customer service.
	The drive shaft or connection point is blocked.	Check and clean the drive shaft or the connection point.
	An inappropriate level was chosen.	Check the usage guidelines and choose an appropriate level.
Attachments come into contact with the bowl or do not beat properly.	The attachment is faulty or incorrectly placed.	Check the attachment and replace it if necessary.
	An inappropriate level was chosen.	Check the usage guidelines and choose an appropriate level.
Mixer vibrates or moves extremely during use.	The load in the mixing bowl is too great.	Reduce the quantity of the mixture in the mixing bowl.
	An inappropriate level was chosen.	Check the usage guidelines and choose an appropriate level.
Attachments are difficult to loosen or are stuck.	There is a build-up of dough around the drive shaft.	Check the drive shaft and clean it if necessary.
	The attachment is faulty.	Check the attachment and replace it if necessary.
	The drive shaft is faulty.	An authorised service technician is needed to solve the problem. Please contact customer service.
The device makes an exceptional amount of noise.	The attachment is faulty or incorrectly placed.	Check the attachment and replace it if necessary.
	The device is faulty.	An authorised service technician is needed to solve the problem. Please contact customer service.

PROBLEM	POSSIBLE CAUSE	POSSIBLE SOLUTION
Vegetable slicer and grater does not cut properly or is blocked.	The cutting disc is blunt.	Check the cutting disc and replace it if necessary.
	The vegetable slicer and grater is incorrectly mounted.	Check the vegetable slicer and grater and reassemble them if necessary.
	Food is trapped.	Check the vegetable slicer and grater and clean it if necessary.
Meat mincer does not grind properly or is blocked.	The meat contains too much fat and sinew.	Remove the sinew and fat before use.
	The cutting disc is blunt.	Check the cutting disc and replace it if necessary.
	The meat mincer is mounted incorrectly.	Check the meat mincer and reassemble it if necessary.
	Meat is trapped.	Check the meat mincer and clean it if necessary.
	The meat mixture is too thick or dry.	Add water or oil to the meat mixture.

7. PUTTING THE DEVICE AWAY

1. Remove the plug from the socket.
2. Clean the device. Follow the instructions in section 5. Cleaning and maintenance.
3. Remove all attachments and store them separately in the original packaging.
4. Store the device in its original packaging in a dry and ventilated space.

8. DISPOSAL

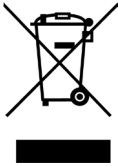
8.1 Disposing of packaging material

The packaging material consists of various materials. When disposing of packaging material, follow national and local regulations regarding the environmentally friendly disposal of packaging material.

8.2 Disposing of the device



The materials used in this device and marked with this symbol are recyclable. The marking indicates that this product must not be disposed of via household waste throughout the EU.



This symbol indicates that the device must not be disposed of with other household waste within the EU. By properly disposing of the device, you help prevent potential hazards to the environment and public health. Recycling materials contributes to the conservation of our natural resources. Therefore, do not dispose of discarded electronic devices along with household waste. When disposing of the device, follow national and local regulations regarding the environmentally friendly disposal of electronic devices. You can also contact Wisepick Productions B.V. if you no longer want to use the device or you can return it to a Coolblue B.V. store of your choice.

CONTACT DETAILS PIERRE

Wisepick Productions B.V.
Weena 664
3012 CN Rotterdam
The Netherlands

GEBRUIKSHANDLEIDING

VOORWOORD	23
1. VEILIGHEID	25
1.1 Veiligheidswaarschuwingen	25
1.2 Bedoeld gebruik en te verwachten onbedoeld gebruik	27
2. PRODUCTEIGENSCHAPPEN	28
2.1 Technische gegevens	28
2.2 Hoofdonderdelen en standaard opzetstukken	28
2.3 Garantie	28
3. INSTALLATIE	29
3.1 Eisen aan de plaats van installatie	29
3.2 Verpakking verwijderen en controleren	29
3.3 Voor eerste gebruik reinigen	29
3.4 Het apparaat assembleren	29
3.4.1 Garde, klopper, flexiklopper en deeghaak	29
3.4.2 Groentesnijder en rasp of vleesmolen	31
3.4.3 Blender	31
4. GEBRUIK	32
4.1 Overzicht van functies	32
4.2 Gebruiksrichtlijnen	32
4.3 Het apparaat bedienen	33
4.3.1 Bediening	33
4.3.1.1 Garde, klopper, flexiklopper en deeghaak	33
4.3.1.2 Groentesnijder en rasp of vleesmolen	34
4.3.1.3 Blender	34
4.3.2 Na gebruik	34
4.3.2.1 Garde, klopper, flexiklopper en deeghaak	34
4.3.2.2 Groentesnijder en rasp of vleesmolen	36
4.3.2.3 Blender	36
5. REINIGING EN ONDERHOUD	37
5.1 Het apparaat reinigen	37
6. STORINGEN OPLOSSEN	38
7. BUITEN GEBRUIK STELLEN	40
8. AFVOEREN	40
8.1 Verpakkingsmateriaal afvoeren	40
8.2 Het apparaat afvoeren	40

VOORWOORD

OVER DIT DOCUMENT

- Deze handleiding bevat alle informatie voor correct, efficiënt en veilig gebruik van het apparaat.
- Deze handleiding is bedoeld voor de eindgebruiker en/of koper van dit apparaat.
- Zorg ervoor dat u de instructies in deze handleiding volledig gelezen en begrepen heeft voordat u het apparaat installeert of gebruikt. Bewaar dit document voor toekomstig gebruik zolang u het apparaat gebruikt en/of in bezit heeft.
- Wisepick Productions B.V. kan op geen enkele wijze aansprakelijk worden gesteld voor immateriële schade aan u of aan anderen, of materiële schade aan het apparaat, uw eigendommen of eigendommen van anderen ontstaan door het niet of niet juist opvolgen van de instructies in deze handleiding.
- In de waarschuwingen en veiligheidsvoorschriften in deze handleiding worden niet alle mogelijke omstandigheden en situaties besproken.
- Als u contact opneemt met onze klantenservice, zorg er dan voor dat u het modelnummer gereed heeft. De informatie vindt u op het typeplaatje of op de voorzijde van deze handleiding.

GEBRUIKTE SYMBOLEN

SYMBOOL	OMSCHRIJVING
 GEVAAR!	Duidt op brandgevaar en/of brandbare materialen.
 WAARSCHUWING!	Duidt op een gevaarlijke situatie die, indien deze niet wordt vermeden, kan leiden tot ernstige immateriële schade aan u of anderen.
 VOORZICHTIG!	Duidt op een gevaarlijke situatie die, indien deze niet wordt vermeden, kan leiden tot lichte immateriële schade aan u of anderen.
 LET OP!	Duidt op een situatie die verband houdt met materiële schade.
 OPMERKING	Duidt op nuttige, aanvullende informatie.

OPMERKING

U kunt de laatste versie van deze handleiding ook online terugvinden, op www.coolblue.nl als u zoekt op het artikelnummer.

AUTEURSRECHT

De in deze handleiding afgebeelde gegevens, waaronder begrepen teksten, foto's, grafische tekeningen, beeldmerken, (handels)namen en logo's, zijn eigendom van Wisepick Productions B.V. en worden beschermd door het auteursrecht, merkenrecht en/of enig ander intellectueel eigendomsrecht, tenzij deze gegevens toebehoren aan een derde. Het is u nimmer toegestaan de inhoud van de handleiding geheel of gedeeltelijk te reproduceren, over te dragen, te verspreiden, te bewaren of tegen vergoeding beschikbaar te stellen aan derden, zonder de voorafgaande schriftelijke toestemming van Wisepick Productions B.V. en/of de derde waar de gegevens aan toebehoren.

CONTACTGEGEVENS

Pierre is een geregistreerd merk van Wisepick Productions B.V.
De klantenservice kunt u bereiken via: www.coolblue.nl/klantenservice

WISEPICK PRODUCTIONS B.V.

Weena 664
3012 CN Rotterdam
Nederland

1. VEILIGHEID

Zorg dat u de veiligheidsinstructies volledig heeft gelezen en begrepen, voordat u het apparaat installeert, gebruikt of onderhoudt. Zo voorkomt u mogelijke materiële schade en immateriële schade aan u of aan anderen, het apparaat, uw andere eigendommen of eigendommen van anderen.

1.1 Veiligheidswaarschuwingen

WAARSCHUWING!

- Wees altijd alert en voorzichtig. Gebruik geen elektrische apparaten als u last heeft van concentratiestoornissen of het nodige bewustzijn mist, of als u onder invloed bent van drugs, alcohol of medicijnen. Zelfs de geringste onoplettendheid kan leiden tot ernstige ongevallen en verwondingen bij het gebruik van elektrische apparaten.
- Zorg ervoor dat u de instructies in deze handleiding volledig gelezen en begrepen heeft voordat u het apparaat installeert of gebruikt. Bewaar dit document voor toekomstig gebruik zolang u het apparaat gebruikt en/of in bezit heeft.
- Gebruik het product alleen zoals beschreven in deze handleiding.
- Gebruik het apparaat niet als een onderdeel beschadigd of defect is. Vervang een beschadigd of defect apparaat onmiddellijk. Haal de stekker uit het stopcontact en neem contact op met de klantenservice.
- Trek nooit aan de stroomkabel om de stekker uit het stopcontact te trekken. Neem de stekker altijd stevig vast en trek hem recht uit het stopcontact.
- Dompel het apparaat nooit onder in water of andere vloeistoffen.
- Haal altijd de stekker uit het stopcontact voordat u het apparaat schoonmaakt.
- Laat het apparaat nooit onbeheerd achter wanneer het apparaat in gebruik is. Schakel het apparaat uit en haal de stekker uit het stopcontact als u de ruimte verlaat.
- Plaats het apparaat op een vlakke, stabiele, hitte- en vochtbestendige ondergrond.

- Verplaats het apparaat niet wanneer het apparaat is ingeschakeld.
- Steek geen voorwerpen of uw handen in het apparaat als deze in gebruik is.
- Controleer voordat u het apparaat gaat gebruiken of het voltage op het typeplaatje overeenkomt met het voltage van het stopcontact. Sluit het apparaat alleen aan op een geaard stopcontact.
- Stel het product niet bloot aan hitte, direct zonlicht of vocht.
- Plaats de voedingskabel niet in de buurt van hitte, olie, scherpe randen en bewegende delen.
- Haal de stekker uit het stopcontact wanneer het apparaat nat of vochtig is.
- Bedien het apparaat niet met natte handen.
- **VERSTIKKINGSGEVAAR.** Laat kinderen nooit met het verpakkingsmateriaal spelen. Houd het verpakkingsmateriaal buiten bereik van kinderen.
- Steek geen voorwerpen in de roterende haken terwijl de machine in gebruik is.
- Steek de stekker pas in het stopcontact nadat de benodigde opzetstukken zijn gemonteerd.
- Zorg ervoor dat lang haar en losse kleding niet in het apparaat kunnen komen tijdens gebruik.
- Wikkel de voedingskabel nooit rondom het apparaat. Wikkel de voedingskabel voor gebruik volledig af.
- Voer geen reparaties uit aan het apparaat die niet omschreven zijn in deze handleiding. Het apparaat mag alleen worden gerepareerd door een bevoegde servicemonteur.
- Gebruik uitsluitend de voedingskabel die vanuit de fabriek op het apparaat is gemonteerd. Wijzig de voedingskabel niet.
- **STRUIKELGEVAAR DOOR LOSHANGENDE KABELS.** Laat de voedingskabel nooit hangen op een manier dat iemand er over kan struikelen of er per ongeluk aan kan trekken.
- Dit apparaat is niet bedoeld voor gebruik door personen (waaronder kinderen) met beperkte fysieke, sensorische of geestelijke capaciteiten of met gebrek aan ervaring en kennis, tenzij ze onder toezicht staan of instructies betreffende het gebruik van het apparaat hebben ontvangen van iemand die verantwoordelijk is voor hun veiligheid.
- Reinig het apparaat nooit met agressieve of schurende schoonmaakmiddelen, of scherpe voorwerpen.

- Laat het apparaat nooit vallen en vermijd stoten. Het laten vallen of stoten van het apparaat kan de correcte werking van het apparaat beïnvloeden. Gebruik het apparaat niet als het apparaat is gevallen.
- Reiniging en gebruikersonderhoud mogen niet zonder toezicht door kinderen worden uitgevoerd.
- Plaats het apparaat nooit in een vaatwasser.
- Gebruik alleen de bijgeleverde opzetstukken van het product.

1.2 Bedoeld gebruik en te verwachten onbedoeld gebruik

- Dit apparaat is bedoeld voor het automatisch mixen, kloppen, opkloppen en kneden van ingrediënten en voedselwaren.
- Dit apparaat is uitsluitend bedoeld voor gebruik binnenshuis.
- Dit apparaat is bedoeld voor huishoudelijk gebruik.
- Dit apparaat is niet bedoeld voor commercieel gebruik.
- Dit apparaat is niet bedoeld voor gebruik door personen (waaronder kinderen) met beperkte fysieke, sensorische of geestelijke capaciteiten of met gebrek aan ervaring en kennis, tenzij ze onder toezicht staan of instructies betreffende het gebruik van het apparaat hebben ontvangen van iemand die verantwoordelijk is voor hun veiligheid.
- Dit apparaat mag niet gebruikt worden door kinderen jonger dan 8 jaar.
- Elk ander gebruik van het apparaat dan beschreven in deze handleiding wordt beschouwd als onbedoeld gebruik en kan leiden tot materiële schade en immateriële schade aan u of aan anderen, het apparaat, uw andere eigendommen of eigendommen van anderen en het vervallen van de garantie.

OPMERKING

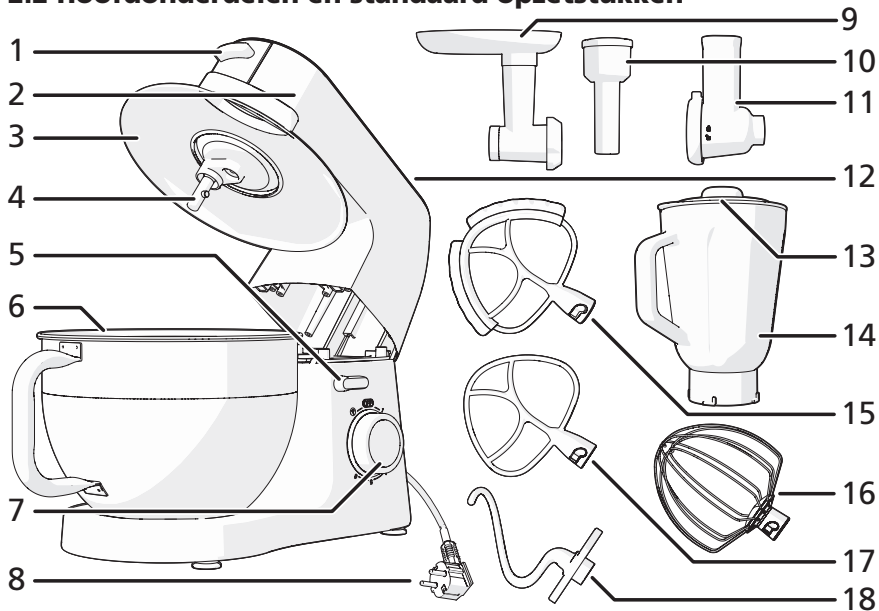
Afhankelijk van het gewicht en consistentie van de ingrediënten kunnen de maximale snelheid en het maximale vulgewicht van de mixer variëren. Raadpleeg voor iedere toepassing altijd de handleiding voor de desbetreffende functie.

2. PRODUCTEIGENSCHAPPEN

2.1 Technische gegevens

Type standmixer	PSM9000
Afmetingen (l x b x h)	33 x 24 x 35.7 cm
Nominale spanning	220 - 240 V ~, 50 - 60 Hz
Energieverbruik	1500 W
Snoer lengte	1 meter
Maximale mengkom inhoud	6 L

2.2 Hoofdonderdelen en standaard opzetstukken



- | | | |
|-------------------------|----------------------------|--------------------|
| 1. Voorkant beschermkap | 7. Bedienings knop | 13. Deksel blender |
| 2. Arm | 8. Stekker | 14. Blender |
| 3. Antispatdeksel | 9. Vleesmolen | 15. Flexiklopper |
| 4. Aandrijfas | 10. Voedselstamper | 16. Garde |
| 5. Hefhendel | 11. Groentesnijder en rasp | 17. Klopper |
| 6. Mengkom | 12. Bovenkant beschermkap | 18. Deeghaak |

2.3 Garantie

Dit apparaat wordt geleverd met een garantieperiode van 3 jaar na aankoop. Ga voor meer informatie over de garantievoorwaarden naar www.coolblue.nl/klantenservice. U dient in ieder geval te beschikken over de aankoopbon met koop- en/of leverdatum om aanspraak te kunnen maken op de garantie.

3. INSTALLATIE

Neem voordat u het apparaat installeert nauwkeurig de veiligheidsinformatie uit hoofdstuk 1 door.

3.1 Eisen aan de plaats van installatie

Plaats het apparaat op een locatie die aan de volgende voorwaarden voldoet:

- Een vlakke, stabiele, hitte- en vochtbestendige ondergrond.
- Niet in direct zonlicht.
- Niet direct naast warmtebronnen zoals kachels of fornuizen.

3.2 Verpakking verwijderen en controleren

Controleer of alle onderdelen aanwezig zijn en of het apparaat en de opzetstukken geen beschadigingen vertonen.

Indien er onderdelen ontbreken of beschadigd zijn, neem dan contact op met Coolblue: www.coolblue.nl/klantenservice

3.3 Voor eerste gebruik reinigen

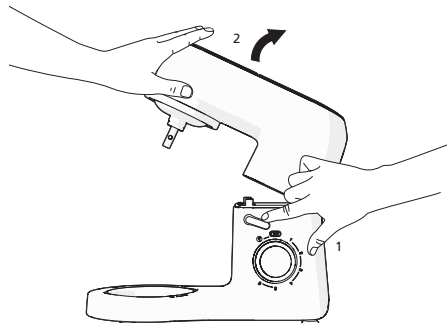
1. Reinig de volgende onderdelen met warm water en afwasmiddel:
 - Antispatdeksel
 - Mengkom
 - Deeghaak
 - Garde
 - Klopper
 - Flexiklopper
 - Groentesnijder en rasp
 - Vleesmolen
 - Voedselstamper
 - Blender
2. Maak de buitenkant van het apparaat schoon met een zachte, vochtige doek.
3. Maak alle onderdelen droog met een zachte doek.

3.4 Het apparaat assembleren

Plaats het apparaat op een geschikte plek

3.4.1 Garde, klopper, flexiklopper en deeghaak

1. Zet lichte neerwaartse druk op de arm.
2. Duw de hefhandel naar beneden om de arm te ontgrendelen en omhoog te zetten.



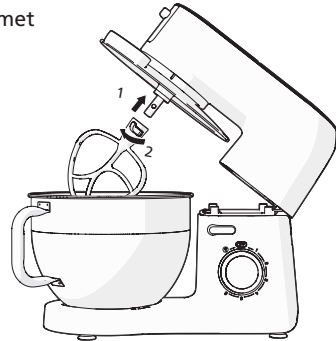
- Plaats de mengkom in de houder en draai tegen de klok in tot deze vastklikt.



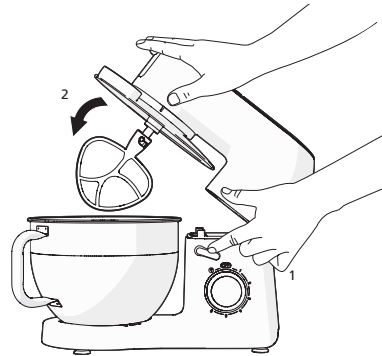
- Plaats de Antispatdeksel over de aandrijfas en draai met de klok mee tot deze vastklikt.
- Plaats het gewenste opzetstuk over de aandrijfas en draai met de klok mee tot deze vastklikt.
- Vul de mengkom met de gewenste ingrediënten.

! LET OP!

RISICO OP SCHADE AAN HET APPARAAT:
Vul de mengkom niet te veel. Raadpleeg hoofdstuk 4.2 voor de gebruiksrichtlijnen.

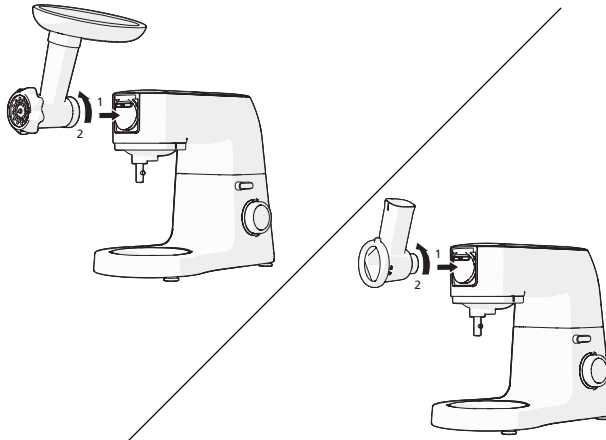


- Duw de hefhandel naar beneden om de arm te ontgrendelen en omlaag te zetten.



3.4.2 Groentesnijder en rasp of vleesmolen

1. Zorg dat de arm omlaag staat.
2. Verwijder de voorkant beschermkap.
3. Plaats het gewenste inzetstuk in de groentesnijder en rasp of vleesmolen.



4. Plaats de groentesnijder of vleesmolen op het connectiepunt en draai tegen de klok in tot deze vastklikt.
5. Vul de groentesnijder en rasp met de gewenste ingrediënten of vul de laadbak met vlees.

! LET OP!

RISICO OP SCHADE AAN HET APPARAAT:

Vul de groentesnijder of vleesmolen niet te veel. Raadpleeg hoofdstuk 4.2 voor de gebruiksrichtlijnen.

6. Plaats de mengkom onder de opening van de groentesnijder en rasp of vleesmolen.

3.4.3 Blender

1. Zorg dat de arm omlaag staat.
2. Open de bovenkant beschermkap.
3. Plaats de blender op het connectiepunt en draai met de klok mee tot deze vastklikt.
4. Vul de blender.

! LET OP!

RISICO OP SCHADE AAN HET APPARAAT:

Vul de blender niet te veel. Raadpleeg hoofdstuk 4.2 voor de gebruiksrichtlijnen.

5. Plaats de blender Antispatdeksel op de blender en draai met de klok mee tot deze vastklikt.



4. GEBRUIK

TM

WAARSCHUWING!

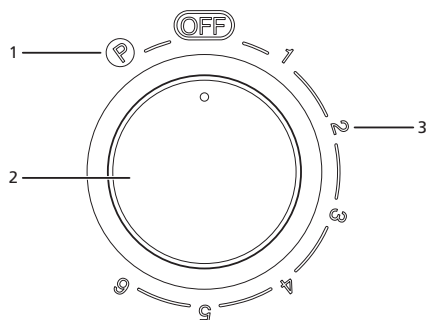
GEVAAR DOOR BEWEGENDE ONDERDELEN

- Steek geen voorwerpen of uw handen in het apparaat als deze in gebruik is.
- Steek geen voorwerpen in de roterende haken terwijl de machine in gebruik is.
- De opzetstukken kunnen kort na het stopzetten nog doorbewegen. Raak de opzetstukken niet aan totdat deze compleet tot stilstand zijn gekomen.
- Schakel het apparaat alleen aan als de arm naar beneden staat.

LET OP!


- De maximale werkingsduur bij zware mengsels is 10 minuten. Laat het apparaat daarna minimaal 30 minuten afkoelen.
- Gebruik het apparaat alleen volgens de in deze handleiding aangegeven gebruiksrichtlijnen.
- Vibraties bij niveau 3 of hoger zijn normaal en beïnvloeden de werking van het apparaat niet.
- Het product kan tijdens het eerste gebruik een verbrande geur afgeven. Dit is normaal. De geur verdwijnt na enige tijd.






4.1 Overzicht van functies



1. Pulse
2. Snelheidsknop
3. Niveaus

4.2 Gebruiksrichtlijnen

Niveau	Opzetstuk	Soort mengsel	Maximaal vulgewicht	Automatische timer
1-2		Zware mengsels; pizzateeg, brooddeeg, koekjesdeeg	1.2 kg	10 min.
3-4		Medium-zware mengsels; pannenkoekenbeslag, cakebeslag, kwarktaart	1.2 kg	10 min.

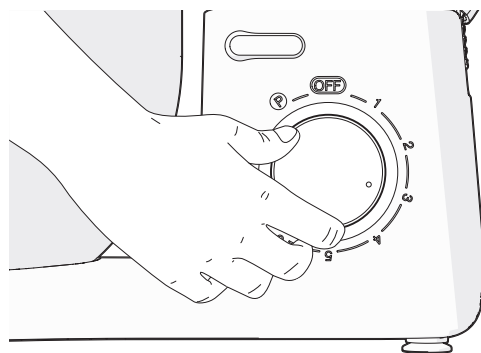
Niveau	Opzetstuk	Soort mengsel	Maximaal vulgewicht	Automatische timer
3-4		Medium-zware mengsels; pannenkoekenbeslag, cakebeslag, kwarktaart	1.2 kg	10 min.
5-6		Lichte mengsels; ei, slagroom, banketbakkersroom	1.2 kg	10 min.
Pulse		Interval; smoothie, milkshake	1.2 kg	5 sec.
5-6		Molen en rasp; vlees, groente, kaas	1.2 kg	10 min.
Pulse-6		Blender; smoothie, milkshake, fruit	1.2 kg	5 sec.- 10 min.

4.3 Het apparaat bedienen

4.3.1 Bediening

4.3.1.1 Garde, klopper, flexiklopper en deeghaak

- Zorg dat de arm naar beneden staat en steek de stekker in een geaard stopcontact.
 - Het apparaat gaat alleen aan als de arm helemaal naar beneden staat.
- Draai de snelheidsknop naar het gewenste niveau.
- Draai de snelheidsknop terug naar OFF om het apparaat tot stilstand te brengen.
 - Voor gebruik van het niveau Pulse houdt u de snelheidsknop handmatig in de Pulse-stand gedurende de gewenste tijd. Zodra u de snelheidsknop loslaat, keert deze automatisch terug naar OFF.



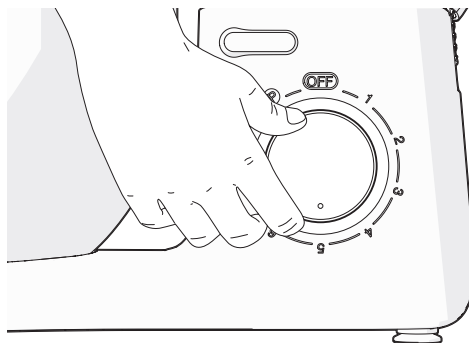
4.3.1.2 Groentesnijder en rasp of vleesmolen

1. Steek de stekker in een geaard stopcontact.
(i) Het apparaat gaat alleen aan als de arm helemaal naar beneden staat.
2. Draai de snelheidsknop naar het gewenste niveau.

WAARSCHUWING!

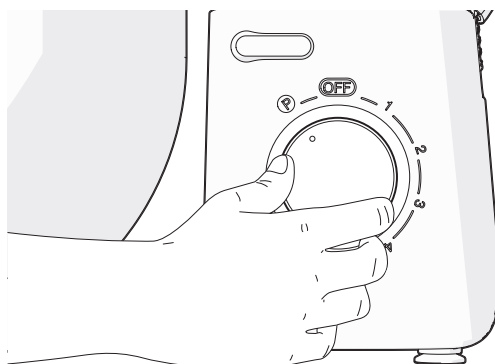
Voer nooit voedsel in de opzetstukken met de hand. Gebruik altijd de bijgeleverde voedselstamper.

3. Draai de snelheidsknop terug naar OFF om het apparaat tot stilstand te brengen.



4.3.1.3 Blender

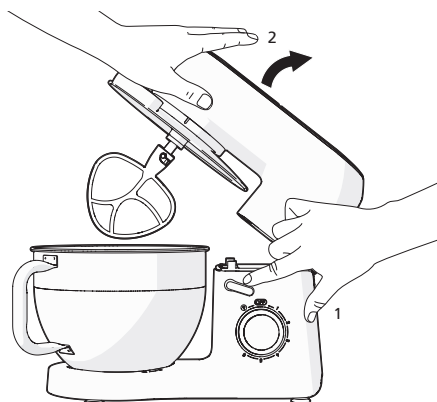
1. Steek de stekker in een geaard stopcontact.
(i) Het apparaat gaat alleen aan als de arm helemaal naar beneden staat.
2. Draai de snelheidsknop naar niveau 6 of Pulse.
3. Draai de snelheidsknop terug naar OFF om het apparaat tot stilstand te brengen.
(i) Tijdens gebruik kunnen ingrediënten worden toegevoegd door de stop in de Antispatdeksel van de blender te verwijderen.



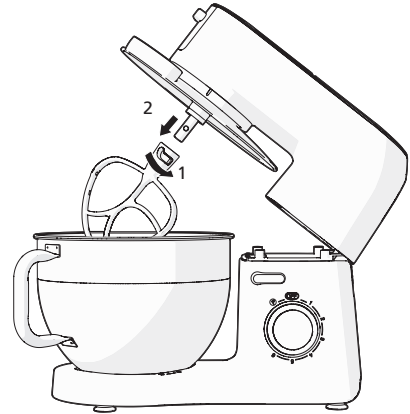
4.3.2 Na gebruik

4.3.2.1 Garde, klopper, flexiklopper en deeghaak

1. Haal de stekker uit het stopcontact.
2. Zet lichte neerwaartse druk op de arm.
3. Duw de hefhandel naar beneden om de arm omhoog te zetten.

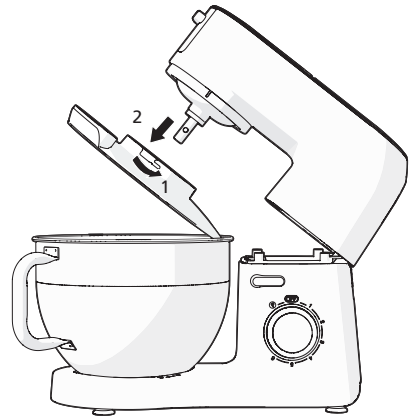


4. Verwijder het opzetstuk van de aandrijfas door tegen de klok in te draaien tot deze los klikt.



NL

5. Verwijder de antispatdeksel van de aandrijfas door tegen de klok in mee te draaien tot deze los klikt.
6. Leeg de mengkom met een spatel.

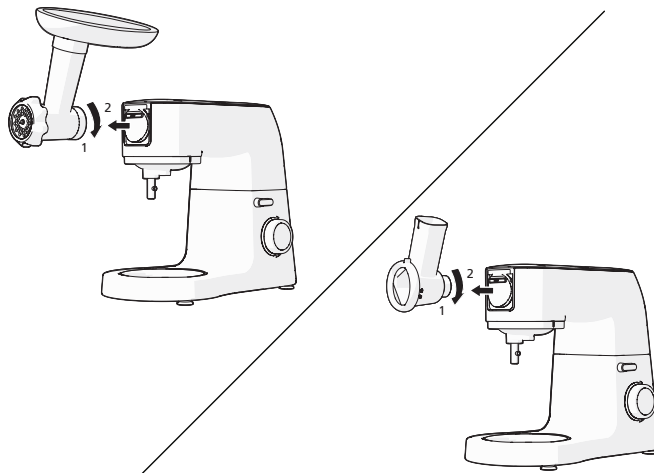


7. Verwijder de mengkom door de mengkom met de klok mee te draaien tot deze los klikt.
8. Reinig alle onderdelen zoals beschreven in hoofdstuk 5. Reiniging en onderhoud.



4.3.2.2 Groentesnijder en rasp of vleesmolen

1. Haal de stekker uit het stopcontact.
2. Verwijder de voedselstamper en, indien gebruikt, de laadbak.
3. Verwijder de vleesmolen of groentesnijder en rasp van het connectiepunt door met de klok mee te draaien tot deze los klikt.



4. Plaats de voorkant beschermkap terug over het connectiepunt.
5. Reinig alle onderdelen zoals beschreven in hoofdstuk 5. Reiniging en onderhoud.

4.3.2.3 Blender

1. Haal de stekker uit het stopcontact.
2. Verwijder de blender van het connectiepunt door tegen de klok in te draaien tot deze los klikt.
3. Plaats de bovenkant beschermkap terug over het connectiepunt.
4. Reinig alle onderdelen zoals beschreven in hoofdstuk 5. Reiniging en onderhoud.



5. REINIGING EN ONDERHOUD

Neem voordat u het apparaat gaat onderhouden en reinigen nauwkeurig de veiligheidsinformatie uit hoofdstuk 1 door.

NL

5.1 Het apparaat reinigen

WAARSCHUWING!

ELEKTROCUTIEGEVAAR DOOR KORTSLUITING. Dompel het apparaat nooit onder in water of andere vloeistoffen.

ELEKTROCUTIEGEVAAR DOOR KORTSLUITING. Haal altijd de stekker uit het stopcontact voordat u het apparaat schoonmaakt.

VOORZICHTIG!

Laat het apparaat altijd volledig tot stilstand komen voordat u het apparaat onderhoudt of reinigt.

LET OP!

Reinig het apparaat nooit met agressieve of schurende schoonmaakmiddelen, of scherpe voorwerpen.

Plaats het apparaat of de opzetstukken nooit in een vaatwasser.

Maak het apparaat schoon na elk gebruik.

1. Reinig de volgende onderdelen met warm water en afwasmiddel:
 - Mengkom
 - Antispatdeksel
 - Garde
 - Klopper
 - Deeghaak
 - Groentesnijder en rasp
 - Vleesmolen
 - Blender
 - Voedstelstamper
 - Blender
 - Deksel blender
2. Maak de buitenkant van het apparaat schoon met een zachte, vochtige doek.
3. Maak alle onderdelen droog met een zachte doek.
 - (i) Zorg dat alle onderdelen droog zijn voordat deze weer worden gebruikt.
 - (i) Wrijf regelmatig de aandrijfas in met een kleine hoeveelheid zonnebloemolie.

6. STORINGEN OPLOSSEN

PROBLEEM	MOGELIJKE OORZAAK	MOGELIJKE OPLOSSING
Het apparaat kan niet worden ingeschakeld.	De stekker zit niet goed in het stopcontact.	Steek de stekker goed in het stopcontact.
	De voedingskabel is defect.	Er is een bevoegde servicemonteur nodig om het probleem op te lossen. Neem contact op met de klantenservice.
Het apparaat schakelt uit.	Het apparaat is oververhit door te veel gebruik achter elkaar.	Laat het apparaat afkoelen.
Opzetstukken draaien niet of schokken.	Het apparaat is defect.	Er is een bevoegde servicemonteur nodig om het probleem op te lossen. Neem contact op met de klantenservice.
	De aandrijfas is geblokkeerd.	Controleer de aandrijfas en maak deze schoon.
	Er is een ongeschikt niveau gekozen.	Controleer de gebruikrichtlijnen en kies een geschikt niveau.
Opzetstukken raken de kom of kloppen niet goed.	Het opzetstuk is defect of verkeerd geplaatst.	Controleer het opzetstuk en vervang deze indien nodig.
	Er is een ongeschikt niveau gekozen.	Controleer de gebruikrichtlijnen en kies een geschikt niveau.
Mixer trilt of beweegt extreem tijdens gebruik.	De lading in de mengkom is te groot.	Verminder de hoeveelheid mengsel in de mengkom.
	Er is een ongeschikt niveau gekozen.	Controleer de gebruikrichtlijnen en kies een geschikt niveau.
Opzetstukken gaan moeilijk los of vast.	Er is een ophoping van deeg rondom de aandrijfas of het connectiepunt.	Controleer de aandrijfas of het connectiepunt en maak deze indien nodig schoon.
	Het opzetstuk is defect.	Controleer het opzetstuk en vervang deze indien nodig.
	De aandrijfas of het connectiepunt is defect.	Er is een bevoegde servicemonteur nodig om het probleem op te lossen. Neem contact op met de klantenservice.
Het apparaat maakt uitzonderlijk veel geluid.	Het opzetstuk is defect of verkeerd geplaatst.	Controleer het opzetstuk en vervang deze indien nodig.
	Het apparaat is defect.	Er is een bevoegde servicemonteur nodig om het probleem op te lossen. Neem contact op met de klantenservice.

PROBLEEM	MOGELIJKE OORZAAK	MOGELIJKE OPLOSSING
Groentesnijder en rasp snijdt niet goed of blokkeert.	De snijschijf is bot.	Controleer de snijschijf en vervang deze indien nodig.
	De groentesnijder en rasp is verkeerd gemonteerd.	Controleer de groentesnijder en rasp en monteer deze indien nodig opnieuw.
	Er zit voedsel vast.	Controleer de groentesnijder en rasp en reinig deze indien nodig.
Vleesmolen maalt niet goed of blokkeert.	Het vlees bevat te veel vet en pezen.	Verwijder de pezen en het vet voor gebruik.
	De snijschijf is bot.	Controleer de snijschijf en vervang deze indien nodig.
	De vleesmolen is verkeerd gemonteerd.	Controleer de vleesmolen en monteer deze indien nodig opnieuw.
	Er zit vlees vast.	Controleer de vleesmolen en reinig deze indien nodig.
	Het vleesmengsel is te dik of droog.	Voeg water of olie toe aan het vleesmengsel.

7. BUITEN GEBRUIK STELLEN

1. Haal de stekker uit het stopcontact.
2. Maak het apparaat schoon. Volg de instructies in hoofdstuk 5. Reiniging en onderhoud.
3. Verwijder alle opzetstukken en bewaar deze apart in de originele verpakking.
4. Bewaar het apparaat in de originele verpakking in een droge en afgesloten ruimte.

8. AFVOEREN

8.1 Verpakkingsmateriaal afvoeren

Het verpakkingsmateriaal bestaat uit verschillende materialen. Volg bij het afvoeren van het verpakkingsmateriaal de nationale en lokale regelgeving met betrekking tot het milieuvriendelijk afvoeren van het verpakkingsmateriaal.

8.2 Het apparaat afvoeren



De materialen die in dit apparaat worden gebruikt en zijn gemarkeerd met dit symbool zijn recyclebaar. De markering duidt erop dat dit product in de gehele EU niet mag worden weggegooid bij het huishoudelijk afval.



Dit symbool geeft aan dat het apparaat niet met ander huishoudelijk afval weggegooid mag worden binnen de EU. Door het apparaat op de juiste wijze af te voeren, helpt u mogelijke gevaren voor het milieu en de volksgezondheid te voorkomen. Het recyclen van materialen draagt bij tot het behoud van natuurlijke hulpbronnen. Gooi afgedankte elektronische apparaten daarom niet weg met het huishoudelijk afval. Volg bij het afvoeren van het apparaat de nationale en lokale regelgeving met betrekking tot het milieuvriendelijk afvoeren van elektronische apparatuur. U kunt ook contact opnemen met Wisepick Productions B.V. wanneer u het apparaat niet meer wil gebruiken of u kunt het apparaat inleveren bij een Coolblue B.V. winkel naar keuze.

CONTACTGEGEVENS PIERRE

Wisepick Productions B.V.
Weena 664
3012 CN Rotterdam
Nederland

NOTICE D'UTILISATION






AVANT-PROPOS	42
1. SÉCURITÉ	44
1.1 Avertissements de sécurité	44
1.2 Utilisation prévue et utilisation involontaire prévisible	46
2. PROPRIÉTÉS DU PRODUIT	47
2.1 Caractéristiques techniques	47
2.2 Pièces principales et accessoires standard	47
2.3 Garantie	47
3. INSTALLATION	48
3.1 Exigences relatives au lieu d'installation	48
3.2 Retirer l'emballage et vérifier le contenu	48
3.3 Nettoyage avant la première utilisation	48
3.4 Assemblage de l'appareil	48
3.4.1 Fouet, batteur, batteur souple et crochet pétrisseur	48
3.4.2 Coupe-légumes et râpe ou hachoir à viande	50
3.4.3 Blender	50
4. UTILISATION	51
4.1 Aperçu des fonctions	51
4.2 Guide d'utilisation	51
4.3 Utilisation de l'appareil	52
4.3.1 Commande	52
4.3.1.1 Fouet, batteur, batteur souple et crochet pétrisseur	52
4.3.1.2 Coupe-légumes et râpe ou hachoir à viande	53
4.3.1.3 Blender	53
4.3.2 Après utilisation	53
4.3.2.1 Fouet, batteur, batteur souple et crochet pétrisseur	53
4.3.2.2 Coupe-légumes et râpe ou hachoir à viande	55
4.3.2.3 Blender	55
5. NETTOYAGE ET ENTRETIEN	56
5.1 Nettoyage de l'appareil	56
6. DÉPANNAGE	57
7. MISE HORS SERVICE	59
8. MISE AU REBUT	59
8.1 Éliminer l'emballage	59
8.2 Éliminer l'appareil	59

AVANT-PROPOS

À PROPOS DE CE DOCUMENT

- Ce manuel contient toutes les informations pour une utilisation correcte, efficace et sûre de l'appareil.
- Ce manuel est destiné à l'utilisateur final et/ou l'acheteur de cet appareil.
- Assurez-vous d'avoir bien lu et compris les instructions de ce manuel avant d'installer ou d'utiliser l'appareil. Conservez ce document pour une utilisation future tant que vous utilisez et/ou possédez l'appareil.
- Wisepick Productions B.V. ne peut en aucun cas être tenue responsable des dommages immatériels causés à vous-même ou à autrui, ou des dommages matériels causés à l'appareil, à vos biens ou à ceux d'autrui, suite au non-respect des instructions contenues dans ce manuel.
- Les avertissements et consignes de sécurité de ce manuel ne décrivent pas toutes les circonstances et situations possibles.
- Si vous contactez notre service clientèle, assurez-vous d'avoir le numéro de modèle à portée de main. Vous trouverez les informations sur la plaque signalétique ou au recto de ce manuel.

SYMBOLES UTILISÉS

SYMBOLE	DESCRIPTION
 DANGER !	Indique un risque d'incendie et/ou des matériaux inflammables.
 AVERTISSEMENT !	Indique une situation dangereuse qui, si elle n'est pas évitée, peut entraîner de graves dommages immatériels à vous ou à autrui.
 PRUDENCE !	Indique une situation dangereuse qui, si elle n'est pas évitée, peut entraîner de légers dommages immatériels à vous ou à autrui.
 ATTENTION !	Indique une situation liée à des dégâts matériels.
 REMARQUE	Indique des informations complémentaires utiles.

REMARQUE

Vous pouvez également trouver la dernière version de ce manuel en ligne, à l'adresse suivante : www.coolblue.be en effectuant une recherche à partir du numéro de l'article.

DROIT D'AUTEUR

Les données représentées dans ce manuel, y compris les textes, photos, dessins graphiques, marques figuratives, noms (commerciaux) et logos, sont la propriété de Wisepick Productions B.V. et sont protégées par le droit d'auteur, le droit des marques et/ou tout autre droit de propriété intellectuelle, sauf si ces données appartiennent à un tiers. Vous n'êtes en aucun cas autorisé(e) à reproduire, transférer, distribuer, conserver ou mettre à la disposition de tiers contre rémunération la totalité ou une partie du contenu du manuel sans l'autorisation écrite préalable de Wisepick Productions B.V. et/ou du tiers auquel les données appartiennent.

COORDONNÉES

Pierre est une marque déposée de Wisepick Productions B.V.

Le service client est joignable via : <https://www.coolblue.be/fr/service-client>

WISEPICK PRODUCTIONS B.V.

Weena 664

3012 CN Rotterdam

Pays-Bas

1. SÉCURITÉ

Assurez-vous d'avoir bien lu et compris les consignes de sécurité avant d'installer, d'utiliser ou d'entretenir l'appareil. Vous éviterez ainsi d'éventuels dommages matériels et immatériels à vous-même ou à autrui, à l'appareil, à vos autres biens ou à ceux d'autrui.

1.1 Avertissements de sécurité

AVERTISSEMENT !

- Soyez toujours vigilant et prudent. N'utilisez pas d'appareils électriques si vous souffrez de problèmes de concentration ou si vous manquez de la conscience nécessaire, ou si vous êtes sous l'influence de drogues, d'alcool ou de médicaments. La moindre inattention peut entraîner des accidents et des blessures graves lors de l'utilisation d'appareils électriques.
- Assurez-vous d'avoir bien lu et compris les instructions de ce manuel avant d'installer ou d'utiliser l'appareil. Conservez ce document pour une utilisation future tant que vous utilisez et/ou possédez l'appareil.
- N'utilisez le produit que de la manière décrite dans ce manuel.
- N'utilisez pas l'appareil si l'une de ses pièces est endommagée ou défectueuse. Remplacez immédiatement un appareil endommagé ou défectueux. Débranchez alors l'appareil et contactez le service clientèle.
- Ne tirez jamais sur le câble d'alimentation pour enlever la fiche de la prise. Saisissez toujours la fiche fermement et retirez-la directement de la prise.
- N'immergez jamais l'appareil dans l'eau ou dans d'autres liquides.
- Retirez toujours la fiche de la prise avant de nettoyer l'appareil.
- Ne laissez jamais l'appareil sans surveillance lorsqu'il fonctionne. Éteignez l'appareil et débranchez-le lorsque vous quittez la pièce.
- Placez l'appareil sur une surface plane, stable, résistant à la chaleur et à l'humidité.
- Ne déplacez pas l'appareil lorsqu'il est allumé.

- N'insérez pas d'objets ou vos mains dans l'appareil lorsqu'il est en cours d'utilisation.
- Avant d'utiliser l'appareil, vérifiez que la tension indiquée sur la plaque signalétique correspond à la tension de la prise. Ne branchez l'appareil qu'à une prise de terre.
- N'exposez pas le produit à la chaleur, à la lumière directe du soleil ou à l'humidité.
- Ne placez pas le câble d'alimentation à proximité de chaleur, d'huile, de bords tranchants et de pièces mobiles.
- Débranchez l'appareil s'il est mouillé ou humide.
- Ne manipulez pas l'appareil avec des mains mouillées.
- **RISQUE D'ÉTOUFFEMENT.** Ne laissez jamais les enfants jouer avec l'emballage. Tenez l'emballage hors de portée des enfants.
- N'insérez pas d'objets dans les crochets rotatifs lorsque l'appareil est en cours d'utilisation.
- Ne branchez l'appareil qu'après avoir installé les accessoires nécessaires.
- Veillez à ce que les cheveux longs et les vêtements amples ne puissent pas pénétrer dans l'appareil pendant son utilisation.
- N'enroulez jamais le câble d'alimentation autour de l'appareil. Déroulez complètement le câble d'alimentation avant utilisation.
- N'effectuez pas de réparations qui ne sont pas décrites dans le présent manuel. L'appareil ne peut être réparé que par un technicien de service qualifié.
- Utilisez uniquement le câble d'alimentation monté d'usine sur l'appareil. Ne changez pas le câble d'alimentation.
- **RISQUE DE TRÉBUCHEMENT D'UN AUX CÂBLES.** Ne laissez jamais traîner le câble d'alimentation de manière à ce que quelqu'un puisse trébucher dessus ou le tirer accidentellement.
- Cet appareil n'est pas destiné à être utilisé par des personnes (y compris des enfants) dont les capacités physiques, sensorielles ou mentales sont réduites ou qui manquent d'expérience et de connaissances, à moins qu'elles ne soient surveillées ou aient reçu des instructions concernant l'utilisation de l'appareil d'une personne responsable de leur sécurité.
- Ne nettoyez jamais l'appareil avec des produits agressifs ou abrasifs ou avec des objets tranchants.

- Ne laissez jamais tomber l'appareil et évitez les chocs. Une chute ou un choc peut affecter le bon fonctionnement de l'appareil. N'utilisez pas l'appareil s'il est tombé.
- Le nettoyage et l'entretien ne doivent pas être effectués par des enfants sans surveillance.
- Ne placez jamais l'appareil dans un lave-vaisselle.
- N'utilisez que les accessoires fournis avec le produit.

1.2 Utilisation prévue et utilisation involontaire prévisible

- Cet appareil est conçu pour mélanger, fouetter, battre et pétrir automatiquement des ingrédients et des aliments.
- Cet appareil est destiné à un usage intérieur uniquement.
- Cet appareil est destiné à un usage domestique.
- Cet appareil n'est pas destiné à un usage commercial.
- Cet appareil n'est pas destiné à être utilisé par des personnes (y compris des enfants) dont les capacités physiques, sensorielles ou mentales sont réduites ou qui manquent d'expérience et de connaissances, à moins qu'elles ne soient surveillées ou aient reçu des instructions concernant l'utilisation de l'appareil d'une personne responsable de leur sécurité.
- Cet appareil ne peut pas être utilisé par des enfants de moins de 8 ans.
- Toute utilisation de l'appareil autre que celle décrite dans ce manuel est considérée comme une utilisation involontaire et peut entraîner des dommages matériels et immatériels à vous-même ou à autrui, à l'appareil, à vos autres biens ou à ceux d'autrui ainsi que l'annulation de la garantie.

REMARQUE

En fonction du poids et de la consistance des ingrédients, la vitesse maximale et le poids de remplissage maximal du robot peuvent varier. Pour chaque application, référez-vous toujours au manuel de la fonction concernée.

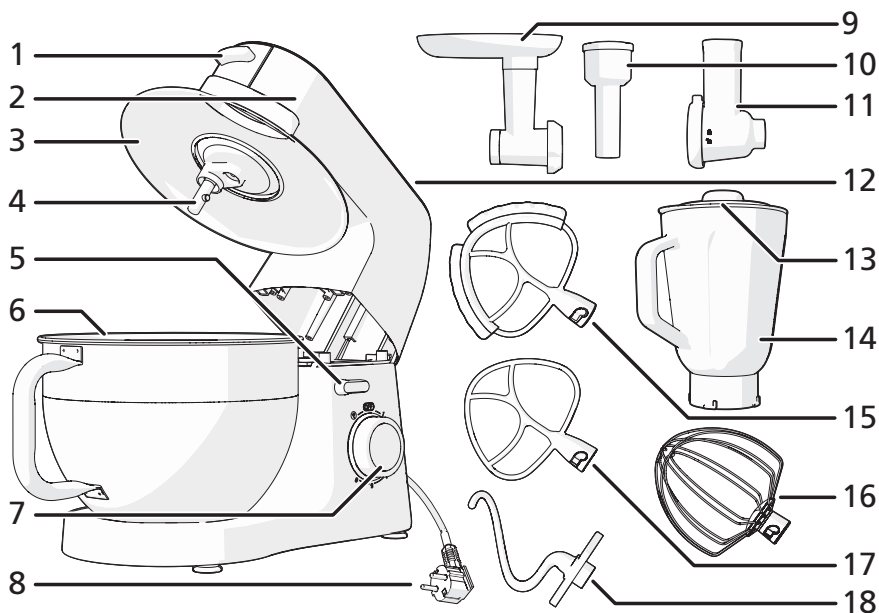
2. PROPRIÉTÉS DU PRODUIT

2.1 Caractéristiques techniques

Type de robot de cuisine	PSM9000
Dimensions (l x p x h)	33 x 24 x 35.7 cm
Tension nominale	220 - 240 V ~, 50 - 60 Hz
Consommation d'énergie	1500 W
Longueur du câble	1 mètre
Capacité maximale du bol à mélanger	6 L

FR

2.2 Pièces principales et accessoires standard



- | | | |
|----------------------------------|------------------------------------|------------------------|
| 1. Avant couvercle de protection | 7. Bouton de commande | 13. Couvercle blender |
| 2. Bras | 8. Fiche | 14. Blender |
| 3. Couvercle anti-éclaboussures | 9. Hachoir à viande | 15. Batteur souple |
| 4. Arbre de transmission | 10. Poussoir à aliments | 16. Fouet |
| 5. Levier | 11. Coupe-légumes et râpe | 17. Batteur |
| 6. Bol à mélanger | 12. Dessus couvercle de protection | 18. Crochet pétrisseur |

2.3 Garantie

Cet appareil est couvert par une garantie de 3 ans après l'achat. Pour en savoir plus sur les conditions de garantie, rendez-vous sur www.coolblue.be/fr/service-client. Dans tous les cas, vous devez disposer de la facture d'achat avec la date d'achat et/ou de livraison pour faire valoir la garantie.

3. INSTALLATION

Avant d'installer l'appareil, lisez attentivement les informations relatives à la sécurité dans le chapitre 1.

FR

3.1 Exigences relatives au lieu d'installation

Placez l'appareil à un endroit qui satisfait aux conditions suivantes :

- Une surface plane, stable, résistant à la chaleur et à l'humidité.
- Pas d'exposition directe à la lumière du soleil.
- Pas directement à côté de sources de chaleur telles que des poêles ou des fourneaux.

3.2 Retirer l'emballage et vérifier le contenu

Vérifiez que toutes les pièces sont présentes et que l'appareil et les accessoires ne sont pas endommagés.

Si des pièces sont manquantes ou endommagées, contactez le service client de Coolblue : www.coolblue.be/fr/service-client

3.3 Nettoyage avant la première utilisation

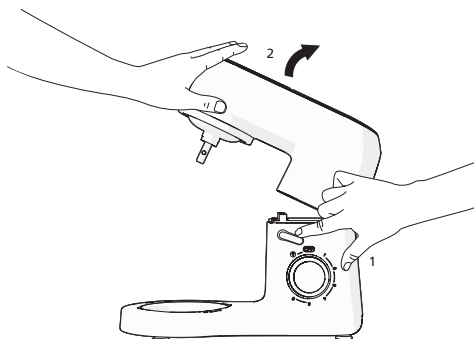
1. Nettoyez les parties suivantes avec de l'eau chaude et du liquide vaisselle :
 - Couvercle anti-éclaboussures
 - Bol à mélanger
 - Crochet pétrisseur
 - Fouet
 - Batteur
 - Batteur souple
 - Coupe-légumes et râpe
 - Hachoir à viande
 - Poussoir à aliments Blender
2. Nettoyez l'extérieur de l'appareil avec un chiffon doux et humide.
3. Séchez toutes les pièces avec un chiffon doux.

3.4 Assemblage de l'appareil

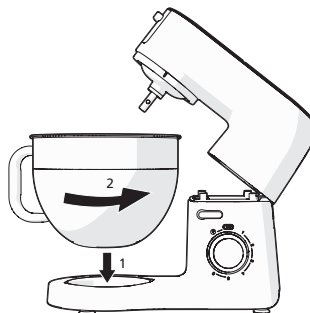
Placez l'appareil dans un endroit approprié.

3.4.1 Fouet, batteur, batteur souple et crochet pétrisseur

1. Exercez une légère pression vers le bas sur le bras.
2. Poussez le levier vers le bas pour déverrouiller le bras et le relever.

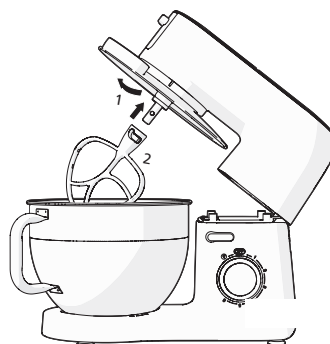


- Placez le bol à mélanger dans le support et tournez-le dans le sens inverse des aiguilles d'une montre jusqu'à ce qu'il s'enclenche.



FR

- Placez le couvercle anti-éclaboussures sur l'arbre de transmission et tournez-le dans le sens des aiguilles d'une montre jusqu'à ce qu'il s'enclenche.
- Placez l'accessoire souhaité sur l'arbre de transmission et tournez dans le sens des aiguilles d'une montre jusqu'à ce qu'il s'enclenche.
- Remplissez le bol à mélanger avec les ingrédients souhaités.

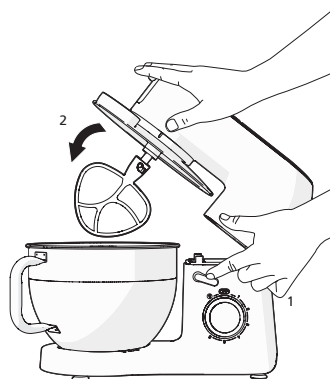


! ATTENTION !

RISQUE D'ENDOMMAGEMENT DE L'APPAREIL :
Ne remplissez pas trop le bol à mélanger. Consultez le chapitre 4.2 pour le guide d'utilisation.

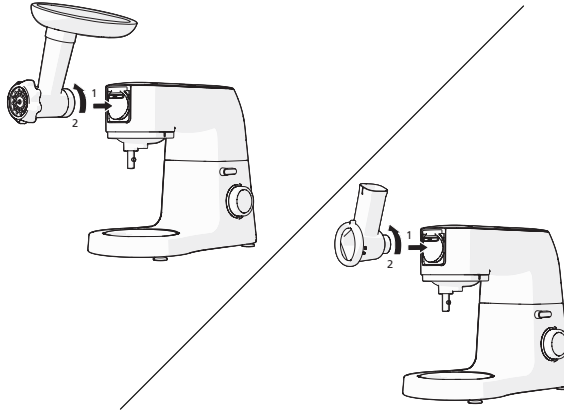
- Bassez le levier vers le bas pour déverrouiller le

3.4.2 Coupe-légumes et râpe ou



hachoir à viande

1. Veillez à ce que le bras soit abaissé.
2. Retirez l'avant du couvercle de protection.
3. Placez l'insert souhaité dans le coupe-légumes et la râpe ou le hachoir à viande.



4. Placez le coupe-légumes ou le hachoir à viande sur le point de connexion et tournez dans le sens inverse des aiguilles d'une montre jusqu'à ce qu'il s'enclenche.
5. Remplissez le coupe-légumes et la râpe avec les ingrédients souhaités ou remplissez le plateau de chargement avec de la viande.

! ATTENTION !

RISQUE D'ENDOMMAGEMENT DE L'APPAREIL :

Ne remplissez pas trop le coupe-légumes ou le hachoir à viande. Consultez le chapitre 4.2 pour le guide d'utilisation.

6. Placez le bol à mélanger sous l'ouverture du coupe-légumes et de la râpe ou du hachoir à viande.

3.4.3 Blender

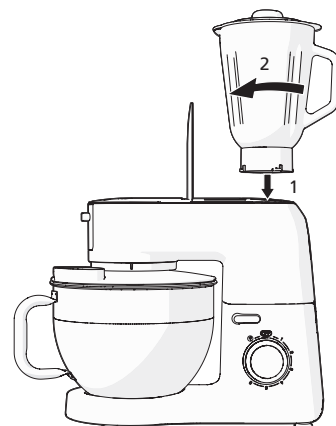
1. Veillez à ce que le bras soit abaissé.
2. Ouvrez le dessus du couvercle de protection.
3. Placez le blender sur le point de connexion et tournez dans le sens des aiguilles d'une montre jusqu'à ce qu'il s'enclenche.
4. Remplissez le blender.

! ATTENTION !

RISQUE D'ENDOMMAGEMENT DE L'APPAREIL :

Ne remplissez pas trop le blender. Consultez le chapitre 4.2 pour le guide d'utilisation.

5. Placez le couvercle anti-éclaboussures du blender sur le blender et tournez-le dans le sens des aiguilles d'une montre jusqu'à ce qu'il s'enclenche.



4. UTILISATION

AVERTISSEMENT !

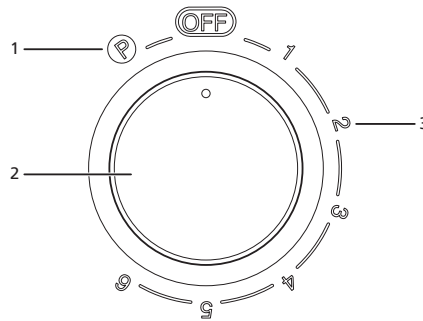
DANGER LIÉ AUX PIÈCES EN MOUVEMENT

- N'insérez pas d'objets ou vos mains dans l'appareil lorsqu'il est en cours d'utilisation.
- N'insérez pas d'objets dans les crochets rotatifs lorsque l'appareil est en cours d'utilisation.
- Les accessoires peuvent continuer à bouger peu de temps après avoir été arrêtés. Ne touchez pas les accessoires avant qu'ils ne soient complètement arrêtés.
- Ne mettez l'appareil en marche que lorsque le bras est abaissé.

ATTENTION !


- La durée maximale de fonctionnement pour les mélanges lourds est de 10 minutes. Laissez ensuite l'appareil refroidir pendant au moins 30 minutes.
- N'utilisez l'appareil que conformément au guide d'utilisation repris dans le présent manuel.
- Les vibrations au niveau 3 ou plus sont normales et n'affectent pas le fonctionnement de l'appareil.
- Le produit peut dégager une odeur de brûlé lors de la première utilisation. C'est normal. L'odeur disparaît après un certain temps.







4.1 Aperçu des fonctions



1. Pulse
2. Bouton de vitesse
3. Niveaux

4.2 Guide d'utilisation

Niveau	Accessoire	Type de mélange	Poids de remplissage maximum	Minuterie automatique
1-2		Mélanges lourds ; pâte à pizza, pâte à pain, pâte à biscuit	1.2 kg	10 min.

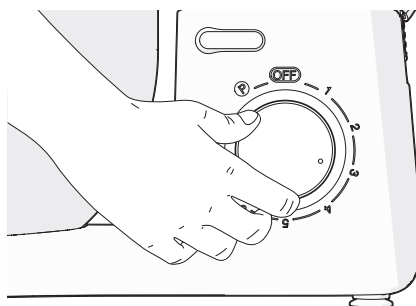
Niveau	Accessoire	Type de mélange	Poids de remplissage maximum	Minuterie automatique
3-4		Mélanges moyennement lourds; pâte à crêpes, pâte à gâteau, cheesecake	1.2 kg	10 min.
3-4		Mélanges moyennement lourds; pâte à crêpes, pâte à gâteau, cheesecake	1.2 kg	10 min.
5-6		Mélanges légers ; œuf, crème fouettée, crème pâtissière	1.2 kg	10 min.
Pulse		Intervalle ; smoothie, milkshake	1,2 kg	5 s.
5 - 6		Hachoir et râpe ; viande, légumes, fromage	1,2 kg	10 min.
Pulse - 6		Blender ; smoothie, milkshake, fruits	1,2 kg	5 s.

4.3 Utilisation de l'appareil

4.3.1 Commande

4.3.1.1 Fouet, batteur, batteur souple et crochet pétrisseur

1. Veillez à ce que le bras soit abaissé et branchez l'appareil sur une prise de courant reliée à la terre.
 - (i) L'appareil ne s'allume que lorsque le bras est complètement abaissé.
2. Tournez le bouton de vitesse au niveau souhaité.
3. Ramenez le bouton de vitesse sur OFF pour arrêter l'appareil.
 - (i) Pour utiliser le niveau Pulse, maintenez manuellement le bouton de vitesse en position Pulse pendant la durée souhaitée. Dès que vous relâchez le bouton de vitesse, il revient automatiquement sur OFF.



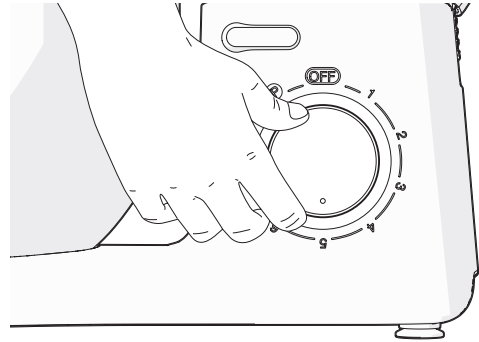
4.3.1.2 Coupe-légumes et râpe ou hachoir à viande

1. Insérez la fiche dans une prise de terre.
(i) L'appareil ne s'allume que lorsque le bras est complètement abaissé.
2. Tournez le bouton de vitesse au niveau souhaité.

AVERTISSEMENT !

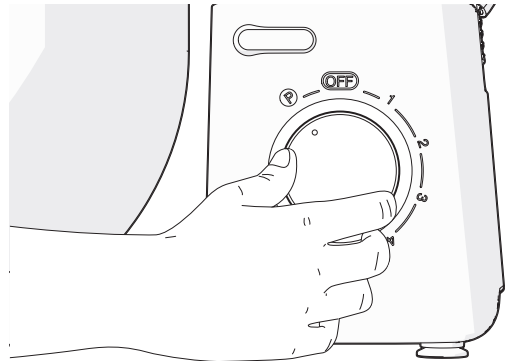
N'introduisez jamais d'aliments dans les accessoires avec la main. Utilisez toujours le poussoir à aliments fourni.

3. Ramenez le bouton de vitesse sur OFF pour arrêter l'appareil.



4.3.1.3 Blender

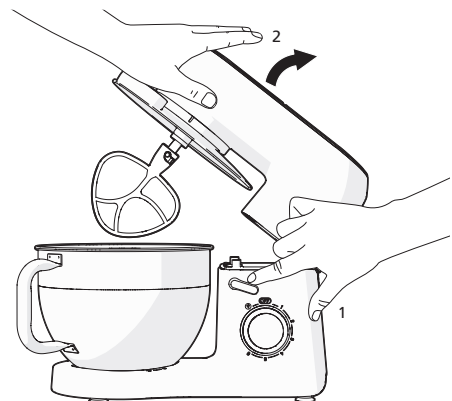
1. Insérez la fiche dans une prise de terre.
(i) L'appareil ne s'allume que lorsque le bras est complètement abaissé.
2. Tournez le bouton de vitesse au niveau 6 ou Pulse.
3. Ramenez le bouton de vitesse sur OFF pour arrêter l'appareil.
(i) En cours d'utilisation, des ingrédients peuvent être ajoutés en retirant le bouchon du couvercle anti-éclaboussures du blender.



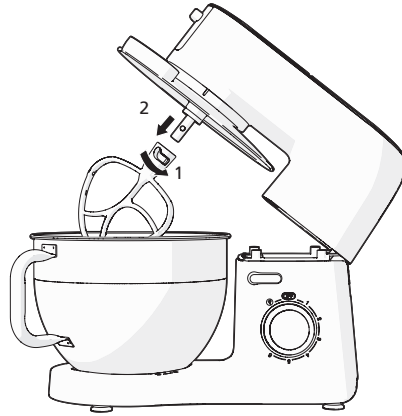
4.3.2 Après utilisation

4.3.2.1 Fouet, batteur, batteur souple et crochet pétrisseur

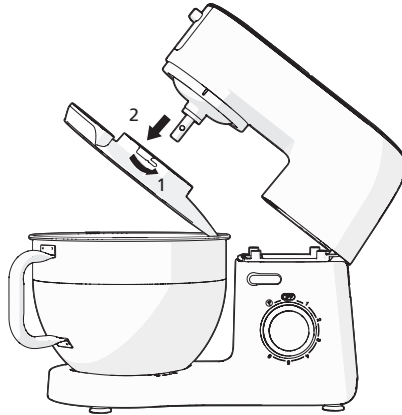
1. Retirez la fiche de la prise.
2. Exercez une légère pression vers le bas sur le bras.
3. Poussez le levier vers le bas pour relever le bras.



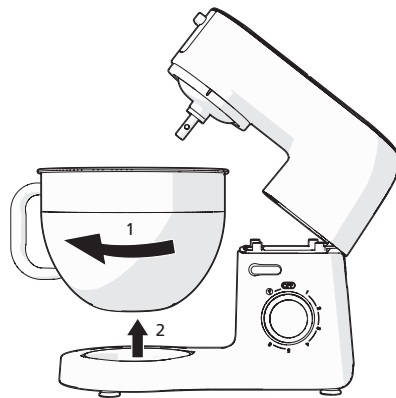
4. Retirez l'accessoire de l'arbre de transmission en le tournant dans le sens inverse des aiguilles d'une montre jusqu'à ce qu'il se détache.



5. Retirez le couvercle anti-éclaboussures de l'arbre de transmission en le tournant dans le sens inverse des aiguilles d'une montre jusqu'à ce qu'il se détache.
6. Videz le bol à mélanger à l'aide d'une spatule.

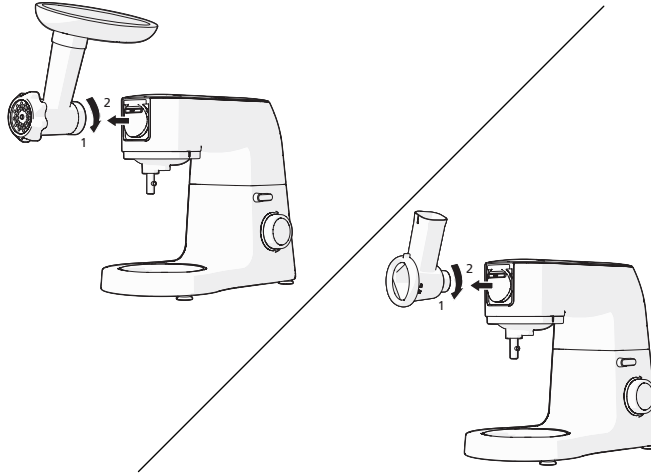


7. Retirez le bol à mélanger en le tournant dans le sens des aiguilles d'une montre jusqu'à ce qu'il se détache.
8. Nettoyez toutes les pièces comme décrit au chapitre 5. Nettoyage et entretien.



4.3.2 Coupe-légumes et râpe ou hachoir à viande

1. Retirez la fiche de la prise.
2. Retirez le poussoir à aliments et, le cas échéant, le plateau de chargement.
3. Retirez le hachoir à viande ou le coupe-légumes et la râpe du point de connexion en le tournant dans le sens des aiguilles d'une montre jusqu'à ce qu'il se détache.



4. Replacez l'avant du couvercle de protection sur le point de connexion.
5. Nettoyez toutes les pièces comme décrit au chapitre 5. Nettoyage et entretien.

4.3.2.3 Blender

1. Retirez la fiche de la prise.
2. Retirez le blender du point de connexion en le tournant dans le sens inverse des aiguilles d'une montre jusqu'à ce qu'il se détache.
3. Replacez le dessus du couvercle de protection sur le point de connexion.
4. Nettoyez toutes les pièces comme décrit au chapitre 5. Nettoyage et entretien.



5. NETTOYAGE ET ENTRETIEN

Avant de passer à l'entretien et au nettoyage de l'appareil, lisez attentivement les informations de sécurité énoncées dans le chapitre 1.

FR

5.1 Nettoyage de l'appareil



AVERTISSEMENT !

RISQUE D'ÉLECTROCUTION DÛ À UN COURT-CIRCUIT. N'immergez jamais l'appareil dans l'eau ou dans d'autres liquides.

RISQUE D'ÉLECTROCUTION DÛ À UN COURT-CIRCUIT. Retirez toujours la fiche de la prise avant de nettoyer l'appareil.



PRUDENCE !

Laissez toujours l'appareil s'arrêter complètement avant de procéder à l'entretien ou au nettoyage.



ATTENTION !

Ne nettoyez jamais l'appareil avec des produits agressifs ou abrasifs ou avec des objets tranchants.

Ne placez jamais l'appareil ou les accessoires dans un lave-vaisselle.

Nettoyez l'appareil après chaque utilisation.

1. Nettoyez les parties suivantes avec de l'eau chaude et du liquide vaisselle :

- Bol à mélanger
- Couvercle anti-éclaboussures
- Fouet
- Batteur
- Crochet pétrisseur
- Coupe-légumes et râpe
- Hachoir à viande
- Blender
- Poussoir à aliments
- Blender
- Couvercle blender

2. Nettoyez l'extérieur de l'appareil avec un chiffon doux et humide.

3. Séchez toutes les pièces avec un chiffon doux.

(i) Assurez-vous que toutes les pièces sont sèches avant de les réutiliser.

(ii) Frottez régulièrement l'arbre de transmission avec une petite quantité d'huile de tournesol.

6. DÉPANNAGE

PROBLÈME	CAUSE POSSIBLE	SOLUTION POSSIBLE
L'appareil ne peut pas être mis en marche.	La fiche n'est pas correctement branchée.	Branchez bien la fiche dans la prise.
	Le câble d'alimentation est défectueux.	Vous devez faire appel à un technicien qualifié. Contactez le service client.
L'appareil s'éteint.	L'appareil a surchauffé en raison de trop nombreuses utilisations successives.	Laissez l'appareil refroidir.
Les accessoires ne tournent pas ou donnent des à-coups.	L'appareil est défectueux.	Vous devez faire appel à un technicien qualifié. Contactez le service client.
	L'arbre de transmission est bloqué.	Vérifiez l'arbre de transmission nettoyez-le.
	Un niveau inapproprié a été choisi.	Vérifiez le guide d'utilisation et choisissez un niveau approprié.
Les accessoires heurtent le bol ou ne battent pas correctement.	L'accessoire est défectueux ou mal placé.	Vérifiez l'accessoire et remplacez-le si nécessaire.
	Un niveau inapproprié a été choisi.	Vérifiez le guide d'utilisation et choisissez un niveau approprié.
Le mélangeur vibre ou bouge énormément pendant l'utilisation.	La charge dans le bol à mélanger est trop importante.	Réduisez la quantité de mélange dans le bol à mélanger.
	Un niveau inapproprié a été choisi.	Vérifiez le guide d'utilisation et choisissez un niveau approprié.
Les accessoires sont difficiles à desserrer ou à serrer.	Il y a une accumulation de pâte autour de l'arbre de transmission.	Vérifiez l'arbre de transmission et nettoyez-le si nécessaire.
	L'accessoire est défectueux.	Vérifiez l'accessoire et remplacez-le si nécessaire.
	L'arbre de transmission est défectueux.	Vous devez faire appel à un technicien qualifié. Contactez le service client.
L'appareil fait beaucoup de bruit.	L'accessoire est défectueux ou mal placé.	Vérifiez l'accessoire et remplacez-le si nécessaire.
	L'appareil est défectueux.	Vous devez faire appel à un technicien qualifié. Contactez le service client.
Le coupe-légumes et la râpe ne coupent pas correctement ou se bloquent.	Le disque de coupe est émoussé.	Vérifiez le disque de coupe et remplacez-le si nécessaire.
	Le coupe-légumes et la râpe sont mal montés	Vérifiez le coupe-légumes et la râpe et remontez-les si nécessaire.
	Des aliments sont bloqués.	Vérifiez le coupe-légumes et la râpe et nettoyez-les si nécessaire.

PROBLÈME	CAUSE POSSIBLE	SOLUTION POSSIBLE
Le hachoir à viande ne broie pas correctement ou se bloque.	La viande contient trop de gras et de tendons.	Retirez les tendons et le gras avant utilisation.
	Le disque de coupe est émoussé.	Vérifiez le disque de coupe et remplacez-le si nécessaire.
	Le hachoir à viande n'est pas monté correctement.	Vérifiez le hachoir à viande et remontez-le si nécessaire.
	De la viande est coincée.	Vérifiez le hachoir à viande et nettoyez-le si nécessaire.
	Le mélange de viande est trop épais ou trop sec.	Ajoutez de l'eau ou de l'huile au mélange de viande.

7. MISE HORS SERVICE

1. Retirez la fiche de la prise.
2. Nettoyez l'appareil. Suivez les instructions du chapitre 5. Nettoyage et entretien.
3. Retirez tous les accessoires et rangez-les séparément dans l'emballage d'origine.
4. Rangez l'appareil dans son emballage d'origine, dans un endroit sec et fermé.

8. MISE AU REBUT

8.1 Éliminer l'emballage

L'emballage est composé de différents matériaux. Lors de l'élimination de l'emballage, veillez à respecter la réglementation nationale et locale relative à l'élimination respectueuse de l'environnement des emballages.

8.2 Éliminer l'appareil



Les matériaux utilisés dans cet appareil et marqués de ce symbole sont recyclables. La marque indique que ce produit ne doit pas être éliminé avec les déchets ménagers dans l'ensemble de l'UE.



Ce symbole indique que l'appareil ne doit pas être jeté avec les autres déchets ménagers au sein de l'UE. En éliminant l'appareil correctement, vous contribuerez à prévenir les risques pour l'environnement et la santé humaine. Le recyclage des matériaux contribue à la préservation des ressources naturelles. Par conséquent, ne jetez pas les appareils électroniques mis au rebut avec les déchets ménagers. Lors de la mise au rebut de l'appareil, respectez les réglementations nationales et locales concernant la mise au rebut écologique des équipements électroniques. Vous pouvez également contacter Wisepick Productions B.V. lorsque vous ne souhaitez plus utiliser l'appareil ou vous pouvez retourner l'appareil dans un magasin Coolblue B.V. de votre choix.

COORDONNÉES PIERRE

Wisepick Productions B.V.
Weena 664
3012 CN Rotterdam
Pays-Bas

BENUTZERINFORMATION

VORWORT	61
1. SICHERHEIT	63
1.1 Sicherheitshinweise	63
1.2 Bestimmungsgemäße Verwendung und vorhersehbare nicht-bestimmungsgemäße Verwendung	65
2 PRODUKTEIGENSCHAFTEN	66
2.1 Technische Daten	66
2.2 Hauptteile und Standardaufsätze	66
2.3 Garantie	66
3. INSTALLATION	67
3.1 Anforderungen an den Aufstellungsort	67
3.2 Verpackung entfernen und kontrollieren	67
3.3 Reinigung vor dem ersten Gebrauch	67
3.4 Das Gerät montieren	67
3.4.1 Schneebesens, Rührbesens, Flexi-Rührbesens und Knethaken	67
3.4.2 Gemüseschneider/-raspel oder Fleischwolf	69
3.4.3 Mixer	69
4. VERWENDUNG	70
4.1 Funktionsübersicht	70
4.2 Verwendungsrichtlinien	70
4.3 Das Gerät bedienen	71
4.3.1 Bedienung	71
4.3.1.1 Schneebesens, Rührbesens, Flexi-Rührbesens und Knethaken	71
4.3.1.2 Gemüseschneider/-raspel oder Fleischwolf	72
4.3.1.3 Mixer	72
4.3.2 Nach dem Gebrauch	72
4.3.2.1 Schneebesens, Rührbesens, Flexi-Rührbesens und Knethaken	72
4.3.2.2 Gemüseschneider/-raspel oder Fleischwolf	74
4.3.2.3 Mixer	74
5. REINIGUNG UND WARTUNG	75
5.1 Das Gerät reinigen	75
6. BEHEBEN VON STÖRUNGEN	76
7. AUSSERBETRIEBNAHME	78
8. ENTSORGUNG	78
8.1 Verpackungsmaterial entsorgen	78
8.2 Das Gerät entsorgen	78






VORWORT

ÜBER DIESES DOKUMENT

- Diese Gebrauchsanleitung enthält alle Informationen für den korrekten, effizienten und sicheren Gebrauch des Geräts.
- Diese Anleitung ist für den Endbenutzer und/oder Käufer dieses Geräts bestimmt.
- Achten Sie darauf, dass Sie die Anweisungen in dieser Anleitung vollständig gelesen und verstanden haben, bevor Sie das Gerät installieren oder verwenden. Bewahren Sie dieses Dokument für künftige Nachschlagezwecke auf, solange Sie das Gerät verwenden und/oder besitzen.
- Wisepick Productions B.V. kann in keiner Weise für immaterielle Schäden an Ihnen oder anderen oder Sachschäden am Gerät, an Ihrem Eigentum oder am Eigentum anderer haftbar gemacht werden, die durch die Nichtbefolgung oder inkorrekte Befolgung der Anweisungen in dieser Anleitung entstanden sind.
- In den Warnhinweisen und Sicherheitsvorschriften in dieser Anleitung werden nicht alle möglichen Umstände und Situationen besprochen.
- Wenn Sie sich an unseren Kundenservice wenden, sollten Sie unbedingt die Modellnummer zur Hand haben. Diese Angabe finden Sie auf dem Typenschild oder auf der Vorderseite dieser Anleitung.

DE

VERWENDETE SYMBOLE

SYMBOL	BESCHREIBUNG
 GEFAHR!	Weist auf Brandgefahr und/oder entzündliche Materialien hin.
 WARNUNG!	Zeigt eine gefährliche Situation an, die Ihnen oder anderen Personen schwere immaterielle Schäden zufügen kann, wenn sie nicht vermieden wird.
 VORSICHT!	Zeigt eine gefährliche Situation an, die Ihnen oder anderen Personen leichte immaterielle Schäden zufügen kann, wenn sie nicht vermieden wird.
 ACHTUNG!	Zeigt eine Situation an, die mit Sachschäden einhergehen kann.
 ANMERKUNG	Weist auf nützliche ergänzende Informationen hin.

ANMERKUNG

Die neueste Version dieses Handbuchs finden Sie auch online unter www.coolblue.de, wenn Sie nach der Artikelnummer suchen.

URheberrecht

Die in dieser Gebrauchsanleitung abgebildeten Daten, darunter Texte, Fotos, Grafiken, Bildmarken, (Handels-)Namen und Logos, sind Eigentum der Wisepick Productions B.V. und unterliegen dem Urheberrecht, dem Markenrecht und/oder anderen geistigen Eigentumsrechten, es sei denn, diese Daten gehören einem Dritten. Ohne vorherige schriftliche Zustimmung von Wisepick Productions B.V. und/oder des Dritten, dem die Daten gehören, ist es nicht gestattet, den Inhalt der Gebrauchsanleitung ganz oder teilweise zu vervielfältigen, zu übertragen, zu verbreiten, zu speichern oder Dritten gegen Entgelt verfügbar zu machen.

KONTAKTDATEN

Pierre ist eine eingetragene Marke von Wisepick Productions B.V.

Den Kundendienst erreichen Sie unter: <https://www.coolblue.de/kundendienst>

WISEPICK PRODUCTIONS B.V.

Weena 664
3012 CN Rotterdam
Niederlande

1. SICHERHEIT

Stellen Sie sicher, dass Sie die Sicherheitsanweisungen vollständig gelesen und verstanden haben, bevor Sie das Gerät installieren, verwenden oder warten. So vermeiden Sie mögliche materielle und immaterielle Schäden bei Ihnen selbst oder anderen, am Gerät, an Ihrem sonstigen Eigentum oder am Eigentum anderer.

1.1 Sicherheitshinweise

WARNUNG!

- Seien Sie immer aufmerksam und vorsichtig. Verwenden Sie keine elektrischen Geräte, wenn Sie unter Konzentrationsstörungen leiden, Ihnen das nötige Bewusstsein fehlt oder Sie unter dem Einfluss von Drogen, Alkohol oder Medikamenten stehen. Bei der Verwendung von Elektrogeräten kann schon die geringste Unachtsamkeit zu schweren Unfällen und Verletzungen führen.
- Achten Sie darauf, dass Sie die Anweisungen in dieser Anleitung vollständig gelesen und verstanden haben, bevor Sie das Gerät installieren oder verwenden. Bewahren Sie dieses Dokument für künftige Nachschlagezwecke auf, solange Sie das Gerät verwenden und/oder besitzen.
- Verwenden Sie das Produkt nur wie in dieser Anleitung beschrieben.
- Verwenden Sie das Gerät nicht, wenn ein Teil davon beschädigt oder defekt ist. Ein beschädigtes oder defektes Gerät ist sofort zu ersetzen. Ziehen Sie den Stecker aus der Steckdose und kontaktieren Sie den Kundendienst.
- Ziehen Sie nie am Netzkabel, um den Stecker aus der Steckdose zu ziehen. Nehmen Sie den Stecker immer fest in die Hand und ziehen Sie ihn gerade aus der Steckdose.
- Tauchen Sie das Gerät nie in Wasser oder andere Flüssigkeiten ein.
- Ziehen Sie immer den Stecker aus der Steckdose, bevor Sie das Gerät reinigen.
- Lassen Sie das Gerät nie unbeaufsichtigt, wenn es in Betrieb ist. Schalten Sie das Gerät aus und ziehen Sie den Netzstecker, bevor Sie die den Raum verlassen.
- Stellen Sie das Gerät auf eine flache, stabile, hitze- und feuchtigkeitsbeständige Oberfläche.

- Bewegen Sie das Gerät nicht, wenn es eingeschaltet ist.
- Stecken Sie keine Gegenstände oder Ihre Hände in das Gerät, wenn es in Gebrauch ist.
- Kontrollieren Sie vor dem Gebrauch, ob die Spannung auf dem Typenschild mit der Spannung der Steckdose übereinstimmt. Schließen Sie das Gerät nur an eine geerdete Steckdose an.
- Setzen Sie das Produkt nicht Hitze, direktem Sonnenlicht oder Feuchtigkeit aus.
- Verlegen Sie das Netzkabel nicht in der Nähe von Hitze, Öl, scharfen Kanten und beweglichen Teilen.
- Ziehen Sie den Netzstecker, wenn das Gerät nass oder feucht ist.
- Bedienen Sie das Gerät nicht mit nassen Händen.
- **ERSTICKUNGSGEFAHR.** Lassen Sie Kinder nie mit dem Verpackungsmaterial spielen. Das Verpackungsmaterial für Kinder unzugänglich aufbewahren.
- Stecken Sie keine Gegenstände in die rotierenden Haken, während die Maschine in Betrieb ist.
- Stecken Sie den Stecker erst ein, nachdem Sie die erforderlichen Aufsätze angebracht haben.
- Achten Sie darauf, dass lange Haare und lose Kleidung während des Gebrauchs nicht in das Gerät gelangen können.
- Wickeln Sie das Stromkabel nie um das Gerät. Wickeln Sie das Stromkabel vor Gebrauch vollständig ab.
- Führen Sie keine Reparaturen am Gerät durch, die nicht in dieser Anleitung beschrieben sind. Das Gerät darf nur von einem autorisierten Servicetechniker repariert werden.
- Verwenden Sie ausschließlich das Netzkabel, das werkseitig am Gerät montiert ist. Ändern Sie das Netzkabel nicht.
- **STOLPERGEFAHR DURCH LOSE KABEL.** Lassen Sie das Netzkabel nie so hängen, dass jemand darüber stolpern oder versehentlich daran ziehen kann.
- Dieses Gerät ist nicht bestimmt für die Verwendung durch Personen (einschließlich Kindern) mit verminderten physischen, sensorischen oder geistigen Fähigkeiten oder mit einem Mangel an Erfahrung oder Kenntnis, es sei denn, sie stehen unter Aufsicht oder haben von einer für ihre Sicherheit verantwortlichen Person Anweisungen für den Gebrauch des Geräts erhalten.
- Reinigen Sie das Gerät nie mit aggressiven oder scheuernden Reinigungsmitteln oder scharfen Gegenständen.

- Lassen Sie das Gerät nie fallen und vermeiden Sie Stöße. Das Fallenlassen oder Stoßen des Geräts kann die korrekte Funktion des Geräts beeinträchtigen. Verwenden Sie das Gerät nicht, wenn das Gerät heruntergefallen ist.
- Reinigung und Pflege durch den Benutzer dürfen nicht unbeaufsichtigt von Kindern ausgeführt werden.
- Stellen Sie das Gerät nie in einen Geschirrspüler.
- Verwenden Sie nur die mit dem Produkt gelieferten Aufsätze.

1.2 Bestimmungsgemäße Verwendung und vorhersehbare nicht-bestimmungsgemäße Verwendung

- Dieses Gerät ist für das automatische Mischen, Schlagen, Aufschlagen und Kneten von Zutaten und Lebensmitteln konzipiert.
- Dieses Gerät ist ausschließlich für die Verwendung im Haus gedacht.
- Dieses Gerät ist für den Hausgebrauch bestimmt.
- Dieses Gerät ist nicht für den kommerziellen Gebrauch bestimmt.
- Dieses Gerät ist nicht bestimmt für die Verwendung durch Personen (einschließlich Kindern) mit verminderten physischen, sensorischen oder geistigen Fähigkeiten oder mit einem Mangel an Erfahrung oder Kenntnis, es sei denn, sie stehen unter Aufsicht oder haben von einer für ihre Sicherheit verantwortlichen Person Anweisungen für den Gebrauch des Geräts erhalten.
- Dieses Gerät darf nicht von Kindern unter 8 Jahren verwendet werden.
- Jede andere als die in dieser Anleitung beschriebene Verwendung des Geräts gilt als nicht bestimmungsgemäße Verwendung und kann zu Sachschäden und immateriellen Schäden bei Ihnen selbst oder anderen, am Gerät, an Ihrem sonstigen Eigentum oder am Eigentum anderer sowie zum Erlöschen der Garantie führen.

ANMERKUNG

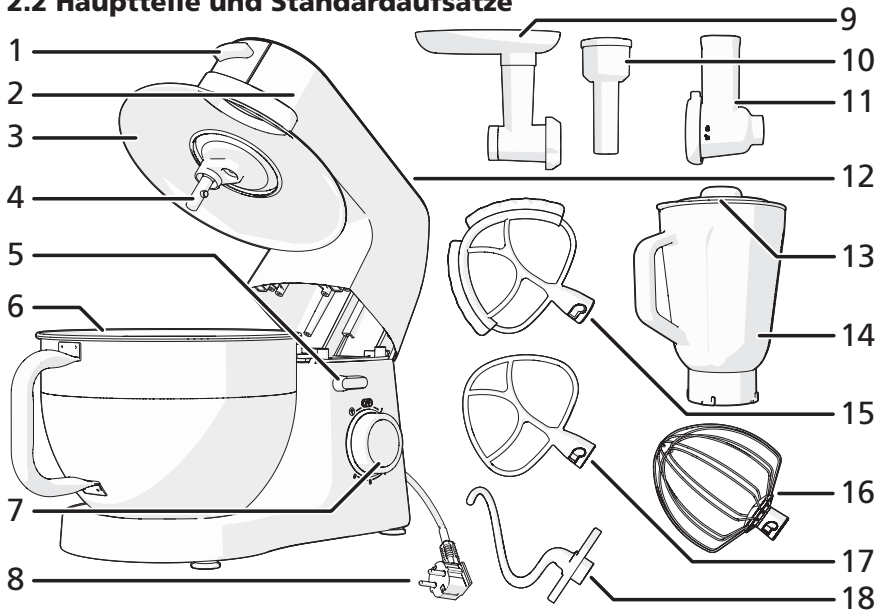
Je nach Gewicht und Konsistenz der Zutaten können die Höchstgeschwindigkeit und das maximale Füllgewicht des Mixers variieren. Konsultieren Sie für jede Anwendung das Handbuch für die entsprechende Funktion.

2 PRODUKTEIGENSCHAFTEN

2.1 Technische Daten

Typ des Standmixers	PSM9000
Abmessungen (L x B x H)	33 x 24 x 35,7 cm
Nennspannung	220 - 240 V ~, 50 - 60 Hz
Stromverbrauch	1500 W
Kabellänge	1 Meter
Maximales Fassungsvermögen der Rührschüssel	6 l

2.2 Hauptteile und Standardaufsätze



- | | | |
|-----------------------|-----------------------------|---------------------|
| 1. Front Schutzkappe | 7. Bedienknopf | 13. Mixerdeckel |
| 2. Arm | 8. Stecker | 14. Mixer |
| 3. Spritzschutzdeckel | 9. Fleischwolf | 15. Flexi-Rührbesen |
| 4. Antriebswelle | 10. Stampfer | 16. Schneebesens |
| 5. Hubhebel | 11. Gemüseschneider-/raspel | 17. Rührbesen |
| 6. Rührschüssel | 12. Oberseite Schutzkappe | 18. Knethaken |

2.3 Garantie

Auf dieses Gerät wird Garantie von drei Jahren ab dem Kaufdatum gewährt. Weitere Informationen zu den Garantiebedingungen finden Sie auf www.coolblue.de/kundendienst. In jedem Fall müssen Sie über den Kaufbeleg mit Kauf- und/oder Lieferdatum verfügen, um die Garantie in Anspruch nehmen zu können.

3. INSTALLATION

Lesen Sie die Sicherheitsinformationen in Kapitel 1 genau durch, bevor Sie das Gerät installieren.

3.1 Anforderungen an den Aufstellungsort

Stellen Sie das Gerät an einer Stelle auf, die den folgenden Bedingungen genügt:

- Eine flache, stabile, hitze- und feuchtigkeitsbeständige Oberfläche.
- Kein direktes Sonnenlicht.
- Nicht direkt neben Wärmequellen wie Öfen oder Herden.

DE

3.2 Verpackung entfernen und kontrollieren

Überprüfen Sie, ob alle Teile vorhanden sind und ob weder das Gerät noch die Aufsätze Beschädigungen aufweisen.

Sollten Teile fehlen oder beschädigt sein, kontaktieren Sie bitte Coolblue: www.coolblue.de/kundendienst

3.3 Reinigung vor dem ersten Gebrauch

1. Reinigen Sie die folgenden Teile mit warmem Wasser und Geschirrspülmittel:

- Spritzschutzdeckel
- Rührschüssel
- Knethaken
- Schneebesen
- Rührbesen
- Flexi-Rührbesen
- Gemüseschneider/-raspel
- Fleischwolf
- Stampfer
- Mixer

2. Reinigen Sie die Außenseite des Geräts mit einem weichen, feuchten Tuch.

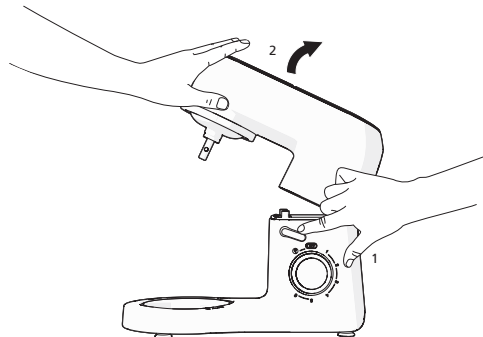
3. Trocknen Sie alle Teile mit einem weichen Tuch ab.

3.4 Das Gerät montieren

Stellen Sie das Gerät an einen geeigneten Ort.

3.4.1 Schneebesen, Rührbesen, Flexi-Rührbesen und Knethaken

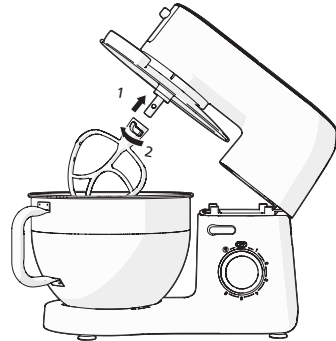
1. Üben Sie leichten Druck nach unten auf den Arm aus.
2. Drücken Sie den Hubhebel herunter, um den Arm zu entriegeln und anzuheben.



3. Setzen Sie die Rührschüssel in die Halterung und drehen Sie ihn entgegen dem Uhrzeigersinn, bis sie einrastet.



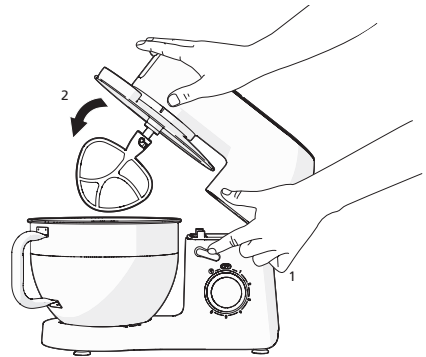
4. Setzen Sie den Spritzschutzdeckel auf die Antriebswelle und drehen Sie sie im Uhrzeigersinn, bis er einrastet.
5. Setzen Sie den gewünschten Aufsatz auf die Antriebswelle und drehen Sie sie im Uhrzeigersinn, bis er einrastet.
6. Füllen Sie die Rührschüssel mit den gewünschten Zutaten.



! ACHTUNG!

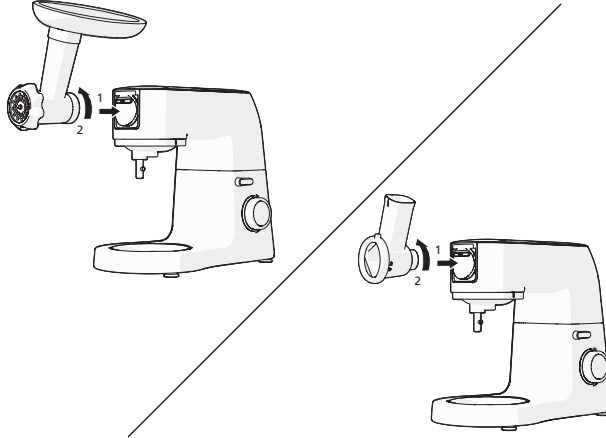
GEFAHR VON BESCHÄDIGUNGEN AM GERÄT:
Füllen Sie die Rührschüssel nicht zu voll. Siehe Kapitel 4.2 für Verwendungsrichtlinien.

7. Drücken Sie den Hubhebel herunter, um den Arm zu entriegeln und abzusenken.



3.4.2 Gemüseschneider/-raspel oder Fleischwolf

1. Achten Sie darauf, dass der Arm unten ist.
2. Entfernen Sie die Front der Schutzkappe.
3. Setzen Sie den gewünschten Aufsatz in den Gemüseschneider/-raspel oder den Fleischwolf.



4. Setzen Sie den Gemüseschneider oder Fleischwolf auf die Anschlussstelle und drehen Sie ihn entgegen dem Uhrzeigersinn, bis er einrastet.
5. Füllen Sie den Gemüseschneider/-raspel mit den gewünschten Zutaten oder füllen Sie die Ladeschale mit Fleisch.

! ACHTUNG!

GEFAHR VON BESCHÄDIGUNGEN AM GERÄT:

Füllen Sie den Gemüseschneider oder Fleischwolf nicht zu voll. Siehe Kapitel 4.2 für Verwendungsrichtlinien.

6. Stellen Sie die Rührschüssel unter die Öffnung von Gemüseschneider/-raspel oder Fleischwolf.

3.4.3 Mixer

1. Achten Sie darauf, dass der Arm unten ist.
2. Öffnen Sie die Oberseite der Schutzkappe.
3. Setzen Sie den Mixer auf die Anschlussstelle und drehen Sie ihn im Uhrzeigersinn, bis er einrastet.
4. Füllen Sie den Mixer.

! ACHTUNG!

GEFAHR VON BESCHÄDIGUNGEN AM GERÄT:

Füllen Sie den Mixer nicht zu voll. Siehe Kapitel 4.2 für Verwendungsrichtlinien.

5. Setzen Sie den Spritzschutzdeckel auf den Mixer und drehen Sie ihn im Uhrzeigersinn, bis er einrastet.



4. VERWENDUNG

WARNUNG!

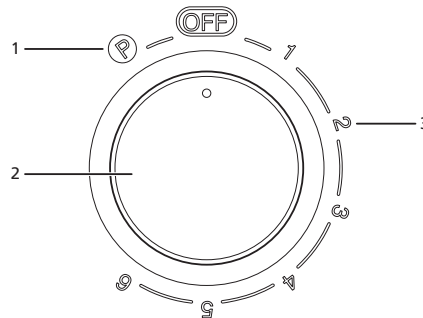
GEFAHR DURCH BEWEGLICHE TEILE

- Stecken Sie keine Gegenstände oder Ihre Hände in das Gerät, wenn es in Gebrauch ist.
- Stecken Sie keine Gegenstände in die rotierenden Haken, während die Maschine in Betrieb ist.
- Die Aufsätze können sich kurz nach dem Anhalten weiterbewegen. Berühren Sie die Aufsätze erst, wenn sie vollständig zum Stillstand gekommen sind.
- Schalten Sie das Gerät nur ein, wenn der Arm unten ist.

ACHTUNG!


- Die maximale Betriebszeit für schwere Gemische beträgt 10 Minuten. Lassen Sie das Gerät danach mindestens 30 Minuten lang abkühlen.
- Verwenden Sie das Gerät nur gemäß den in dieser Anleitung angegebenen Verwendungsrichtlinien.
- Vibrationen bei Stufe 3 oder höher sind normal und beeinträchtigen nicht die Funktion des Geräts.
- Das Produkt kann beim ersten Gebrauch einen verbrannten Geruch abgeben. Das ist normal. Der Geruch verschwindet nach einiger Zeit.







4.1 Funktionsübersicht



1. Puls
2. Geschwindigkeitsregler
3. Stufen

4.2 Verwendungsrichtlinien

Stufe	Aufsatz	Art der Mischung	Maximales Füllgewicht	Zeitschaltuhr
1-2		Schwere Mischungen; Pizzateig, Brotteig, Plätzchenteig	1.2 kg	10 min.

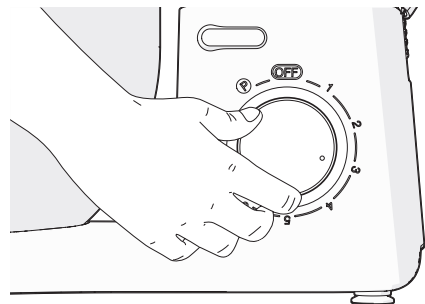
Stufe	Aufsatz	Art der Mischung	Maximales Füllgewicht	Zeitschaltuhr
3-4		Mittelschwere Mischungen; Pfannkuchenteig, Kuchenteig, Käsekuchen	1,2 kg	10 min.
3-4		Mittelschwere Mischungen; Pfannkuchenteig, Kuchenteig, Käsekuchen	1,2 kg	10 min.
5-6		Leichte Mischungen; Ei, Schlagsahne, Konditorcreme	1,2 kg	10 min.
Puls		Intervall; Smoothie, Milchshake	1,2 kg	5 s
5 - 6		Mühle und Reibe; Fleisch, Gemüse, Käse	1,2 kg	10 Minuten
Puls - 6		Mixer; Smoothie, Milchshake, Obst	1,2 kg	5 sec. 10 minuten

4.3 Das Gerät bedienen

4.3.1 Bedienung

4.3.1.1 Schneebesens, Rührbesens, Flexi-Rührbesens und Knethaken

- Achten Sie darauf, dass der Arm unten ist, und stecken Sie den Stecker in eine geerdete Steckdose.
 - Das Gerät schaltet sich nur ein, wenn der Arm ganz unten ist.
- Drehen Sie den Geschwindigkeitsregler auf die gewünschte Stufe.
- Drehen Sie den Geschwindigkeitsregler zurück auf OFF, um das Gerät zum Stillstand zu bringen.
 - Um die Pulsstufe zu verwenden, halten Sie den Geschwindigkeitsregler manuell für die gewünschte Zeit in der Puls-Position. Sobald Sie den Geschwindigkeitsregler loslassen, kehrt er automatisch zu OFF zurück.



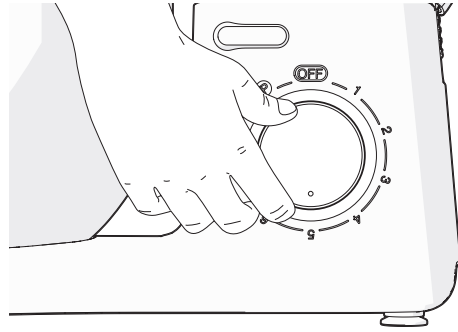
4.3.1.2 Gemüseschneider/-raspel oder Fleischwolf

1. Stecken Sie den Stecker in eine geerdete Steckdose.
(i) Das Gerät schaltet sich nur ein, wenn der Arm ganz unten ist.
2. Drehen Sie den Geschwindigkeitsregler auf die gewünschte Stufe.

WARNUNG!

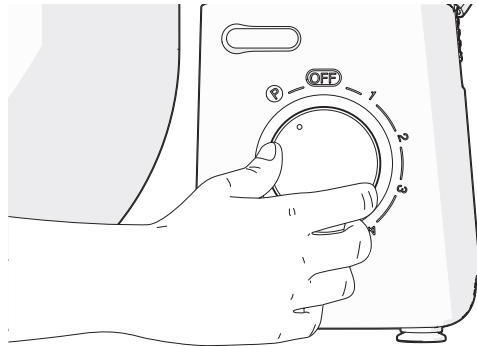
Füllen Sie niemals Lebensmittel von Hand in die Aufsätze. Verwenden Sie immer den mitgelieferten Stampfer.

3. Drehen Sie den Geschwindigkeitsregler zurück auf OFF, um das Gerät zum Stillstand zu bringen.



4.3.1.3 Mixer

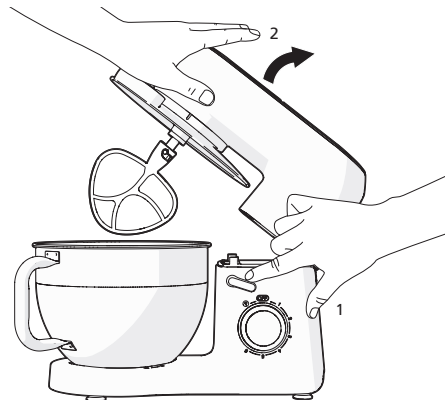
1. Stecken Sie den Stecker in eine geerdete Steckdose.
(i) Das Gerät schaltet sich nur ein, wenn der Arm ganz unten ist.
2. Drehen Sie den Geschwindigkeitsregler auf Stufe 6 oder Puls.
3. Drehen Sie den Geschwindigkeitsregler zurück auf OFF, um das Gerät zum Stillstand zu bringen.
(i) Während des Gebrauchs können Zutaten hinzugefügt werden, indem der Stöpsel aus dem Spritzschutzdeckel des Mixers herausgenommen wird.



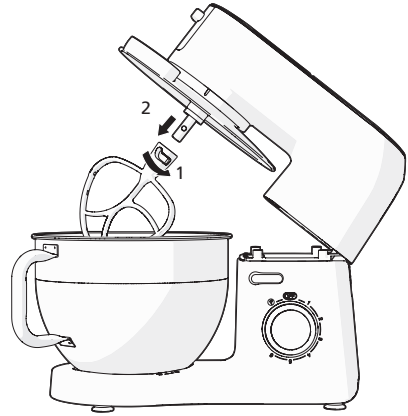
4.3.2 Nach dem Gebrauch

4.3.2.1 Schneebesen, Rührbesen, Flexi-Rührbesen und Knethaken

1. Ziehen Sie den Stecker aus der Steckdose.
2. Üben Sie leichten Druck nach unten auf den Arm aus.
3. Drücken Sie den Hubhebel herunter, um den Arm anzuheben.

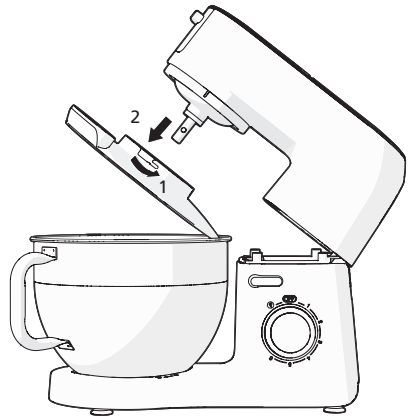


- Entfernen Sie den Aufsatz von der Antriebswelle, indem Sie sie entgegen dem Uhrzeigersinn drehen, bis er ausrastet.

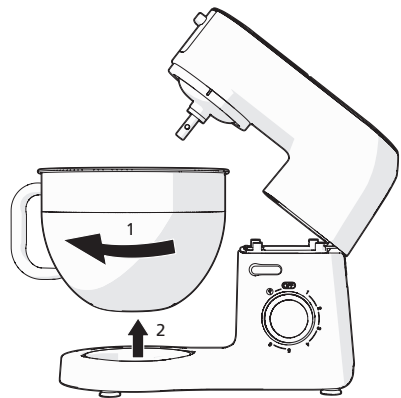


DE

- Entfernen Sie den Spritzschutzdeckel von der Antriebswelle, indem Sie sie entgegen dem Uhrzeigersinn drehen, bis er ausrastet.
- Leeren Sie die Rührschüssel mit einem Spatel.

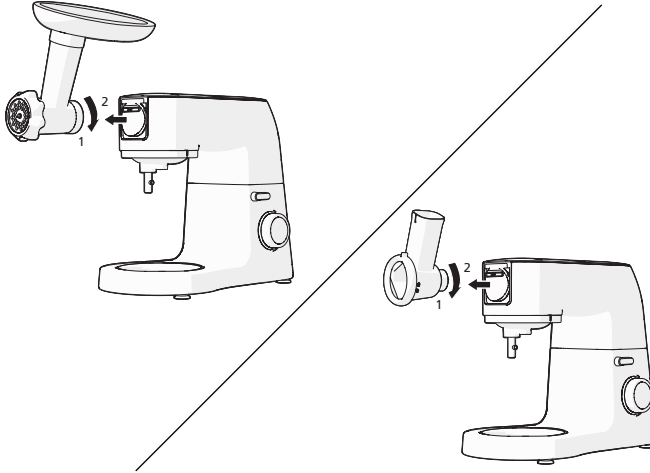


- Entfernen Sie die Rührschüssel, indem Sie ihn im Uhrzeigersinn drehen, bis sie ausrastet.
- Reinigen Sie alle Teile wie in Kapitel 5 beschrieben. Reinigung und Wartung.



4.3.2.2 Gemüseschneider/-raspel oder Fleischwolf

1. Ziehen Sie den Stecker aus der Steckdose.
2. Entfernen Sie den Stampfer und, falls verwendet, die Ladeschale.
3. Entfernen Sie den Fleischwolf oder Gemüseschneider/-raspel von der Anschlussstelle, indem Sie ihn im Uhrzeigersinn drehen, bis er ausrastet.



4. Setzen Sie die Front der Schutzkappe wieder auf die Anschlussstelle.
5. Reinigen Sie alle Teile wie in Kapitel 5 beschrieben. Reinigung und Wartung.

4.3.2.3 Mixer

1. Ziehen Sie den Stecker aus der Steckdose.
2. Entfernen Sie den Mixer von der Anschlussstelle, indem Sie ihn entgegen dem Uhrzeigersinn drehen, bis er ausrastet.
3. Setzen Sie die Oberseite der Schutzkappe wieder auf die Anschlussstelle.
4. Reinigen Sie alle Teile wie in Kapitel 5 beschrieben. Reinigung und Wartung.



5. REINIGUNG UND WARTUNG

Lesen Sie die Sicherheitsinformationen in Kapitel 1 aufmerksam durch, bevor Sie das Gerät warten und reinigen.

5.1 Das Gerät reinigen



WARNUNG!

STROMSCHLAGGEFAHR DURCH KURZSCHLUSS. Tauchen Sie das Gerät nie in Wasser oder andere Flüssigkeiten ein.

STROMSCHLAGGEFAHR DURCH KURZSCHLUSS. Ziehen Sie immer den Stecker aus der Steckdose, bevor Sie das Gerät reinigen.

DE



VORSICHT!

Lassen Sie das Gerät immer vollständig zum Stillstand kommen, bevor Sie es warten oder reinigen.



ACHTUNG!

Reinigen Sie das Gerät nie mit aggressiven oder scheuernden Reinigungsmitteln oder scharfen Gegenständen.

Stellen Sie das Gerät oder die Aufsätze nie in einen Geschirrspüler.

Reinigen Sie das Gerät nach jedem Gebrauch.

1. Reinigen Sie die folgenden Teile mit warmem Wasser und Geschirrspülmittel:

- Rührschüssel
- Spritzschutzdeckel
- Schneebesens
- Rührbesen
- Knethaken
- Gemüseschneider/-raspel
- Fleischwolf
- Mixer
- Stampfer
- Mixer
- Mixerdeckel

2. Reinigen Sie die Außenseite des Geräts mit einem weichen, feuchten Tuch.

3. Trocknen Sie alle Teile mit einem weichen Tuch ab.

(i) Stellen Sie sicher, dass alle Teile trocken sind, bevor Sie sie wieder verwenden.

(i) Reiben Sie die Antriebswelle regelmäßig mit einer kleinen Menge Sonnenblumenöl ein.

6. BEHEBEN VON STÖRUNGEN

DE

PROBLEM	MÖGLICHE URSACHE	MÖGLICHE LÖSUNG
Das Gerät kann nicht eingeschaltet werden.	Der Netzstecker ist nicht richtig eingesteckt.	Stecken Sie den Netzstecker ordentlich in die Steckdose.
	Das Stromkabel ist defekt.	Zur Lösung des Problems wird ein zugelassener Servicetechniker benötigt. Bitte kontaktieren Sie unseren Kundendienst.
Das Gerät schaltet sich aus.	Das Gerät ist durch zu häufigen Gebrauch in Folge überhitzt.	Lassen Sie das Gerät abkühlen.
Aufsätze drehen sich nicht oder ruckeln.	Das Gerät ist defekt.	Zur Lösung des Problems wird ein zugelassener Servicetechniker benötigt. Bitte kontaktieren Sie unseren Kundendienst.
	Die Antriebswelle ist blockiert.	Überprüfen Sie die Antriebswelle und reinigen Sie sie.
	Es wurde eine ungeeignete Stufe ausgewählt.	Konsultieren Sie die Verwendungsrichtlinien und wählen Sie eine geeignete Stufe.
Aufsätze berühren die Schüssel oder schlagen nicht richtig.	Der Aufsatz ist defekt oder falsch angebracht.	Überprüfen Sie den Aufsatz und ersetzen Sie ihn gegebenenfalls.
	Es wurde eine ungeeignete Stufe ausgewählt.	Konsultieren Sie die Verwendungsrichtlinien und wählen Sie eine geeignete Stufe.
Der Mixer vibriert oder bewegt sich während des Gebrauchs extrem.	Die Rührschüssel ist zu voll.	Nehmen Sie etwas aus der Rührschüssel heraus.
	Es wurde eine ungeeignete Stufe ausgewählt.	Konsultieren Sie die Verwendungsrichtlinien und wählen Sie eine geeignete Stufe.
Aufsätze lassen sich nur schwer lösen oder festsetzen.	Um die Antriebswelle herum hat sich Teig angesammelt.	Überprüfen Sie die Antriebswelle und reinigen Sie sie gegebenenfalls.
	Der Aufsatz ist defekt.	Überprüfen Sie den Aufsatz und ersetzen Sie ihn gegebenenfalls.
	Die Antriebswelle ist defekt.	Zur Lösung des Problems wird ein zugelassener Servicetechniker benötigt. Bitte kontaktieren Sie unseren Kundendienst.
Das Gerät macht mehr Geräusche als sonst.	Der Aufsatz ist defekt oder falsch angebracht.	Überprüfen Sie den Aufsatz und ersetzen Sie ihn gegebenenfalls.
	Das Gerät ist defekt.	Zur Lösung des Problems wird ein zugelassener Servicetechniker benötigt. Bitte kontaktieren Sie unseren Kundendienst.

PROBLEM	MÖGLICHE URSACHE	MÖGLICHE LÖSUNG
Gemüeschneider/-raspel schneidet nicht richtig oder blockiert.	Die Schneidscheibe ist stumpf.	Überprüfen Sie die Schneidscheibe und ersetzen Sie sie gegebenenfalls.
	Die Schneidscheibe ist stumpf.	Überprüfen Sie den Gemüeschneider/-raspel und montieren Sie ihn gegebenenfalls erneut.
	Gemüeschneider/-raspel ist falsch montiert.	Überprüfen Sie den Gemüeschneider/-raspel und reinigen Sie ihn erforderlichenfalls.
Der Fleischwolf zerkleinert nicht richtig oder blockiert.	Lebensmittel stecken fest.	Entfernen Sie vor dem Gebrauch die Sehnen und das Fett.
	Das Fleisch enthält zu viel Fett und Sehnen.	Überprüfen Sie die Schneidscheibe und ersetzen Sie sie gegebenenfalls.
	Die Schneidscheibe ist stumpf.	Überprüfen Sie den Fleischwolf und montieren Sie ihn erforderlichenfalls erneut.
	Der Fleischwolf ist falsch montiert.	Überprüfen Sie den Fleischwolf und reinigen Sie ihn erforderlichenfalls.
	Fleisch steckt fest.	Geben Sie Wasser oder Öl zu der Fleischmischung hinzu.

7. AUSSERBETRIEBNAHME

1. Ziehen Sie den Stecker aus der Steckdose.
2. Reinigen Sie das Gerät. Befolgen Sie die Anweisungen in Kapitel 5. Reinigung und Wartung.
3. Entfernen Sie alle Aufsätze und lagern Sie sie separat in der Originalverpackung.
4. Bewahren Sie das Gerät in der Originalverpackung in einem trockenen und geschlossenen Raum auf.

DE

8. ENTSORGUNG

8.1 Verpackungsmaterial entsorgen

Das Verpackungsmaterial besteht aus verschiedenen Materialien. Befolgen Sie bei der Entsorgung des Verpackungsmaterials die nationalen und lokalen Vorschriften bezüglich der umweltfreundlichen Entsorgung von Verpackungsmaterial.

8.2 Das Gerät entsorgen



Die in diesem Gerät verwendeten Materialien, die mit diesem Symbol gekennzeichnet sind, sind recycelbar. Das Zeichen weist darauf hin, dass dieses Produkt in der gesamten EU nicht über den Hausmüll entsorgt werden darf.



Dieses Symbol zeigt an, dass das Gerät innerhalb der EU nicht mit anderen Haushaltsabfällen entsorgt werden darf. Indem Sie das Gerät sachgerecht entsorgen, tragen Sie dazu bei, mögliche Gefahren für die Umwelt und die menschliche Gesundheit zu vermeiden. Das Recycling von Materialien trägt zur Erhaltung der natürlichen Ressourcen bei.

Entsorgen Sie ausrangierte elektronische Geräte daher nicht mit dem Hausmüll. Befolgen Sie bei der Entsorgung des Geräts die nationalen und lokalen Vorschriften bezüglich der umweltfreundlichen Entsorgung von Elektrogeräten. Sie können auch Kontakt mit Wisepick Productions B.V. aufnehmen, wenn Sie das Gerät nicht mehr verwenden möchten, oder Sie können das Gerät in einer Coolblue-Filiale Ihrer Wahl abgeben.

KONTAKTINFORMATIONEN PIERRE

Wisepick Productions B.V.
Weena 664
3012 CN Rotterdam
Niederlande



PIERRE

**Pierre is a registered trademark of Wisepick Productions B.V.
Weena 664
3012CN, Rotterdam
The Netherlands**

**www.coolblue.nl/klantenservice / www.coolblue.be/nl/klantenservice
www.coolblue.be/fr/service-client / www.coolblue.de/kundendienst**