

PIERRE

EN - User manual

Food Chopper

PFC5000

NL - Gebruikshandleiding Hakmolen	16
FR - Notice d'utilisation Hachoir	29
DE - Benutzerinformation Zerkleinerer	42

USER MANUAL

FOREWORD	4
1. SAFETY	6
1.1 Safety warnings and instructions	6
1.2 Intended use and anticipated unintended use	8
2. PRODUCT FEATURES	9
2.1 Technical specifications	9
2.2 Main components and standard attachments	9
2.3 Warranty	10
3. INSTALLATION	10
3.1 Requirements for the location where the appliance is installed	10
3.2 Remove and check the packaging	10
3.3 Clean before first use	10
3.4 Assembling the appliance	11
4. USE	12
4.1 Operating the appliance	12
4.2 After use	12
5. CLEANING AND MAINTENANCE	13
5.1 Cleaning the device	13
6. TROUBLESHOOTING	14
6.1 Troubleshooting	14
7. PUTTING THE DEVICE AWAY	15
8. DISPOSAL	15
8.1 Disposing of packaging material	15
8.2 Disposing of the device	15

FOREWORD






ABOUT THIS DOCUMENT

- Pierre cannot in any way be held liable for immaterial damage to you or to others, or material damage to the appliance, your property or property of others caused by not following or not correctly following the instructions in this manual.
- The warnings and safety instructions in this manual do not cover all possible circumstances and situations.
- If you contact our customer service, make sure you have the model number at hand. That information can be found on the type plate or on the front of this manual.

ORIGINAL INSTRUCTIONS

This manual was originally written in Dutch. All other languages are translated documents. In the case of translation errors, the Dutch version takes precedence.

SYMBOLS USED

SYMBOL	DESCRIPTION
 DANGER!	Indicates a fire hazard and/or flammable materials.
 WARNING!	Indicates a dangerous situation which, if not avoided, can result in serious immaterial damage to you or others.
 CAUTION!	Indicates a dangerous situation which, if not avoided, can result in slight immaterial damage to you or others.
 ATTENTION!	Indicates a situation related to material damage.
 NOTE	Indicates useful additional information.

NOTE

You can also find the latest version of this manual online on www.coolblue.nl/en if you search by the article number.

COPYRIGHT

The data depicted in this manual, including texts, photographs, graphic drawings, trademarks, (trade) names and logos, are the property of Wisepick Productions B.V. and are protected by copyright, trademark law and/or any other intellectual property right, unless these data belong to a third party. You are never allowed to reproduce, transfer, distribute, store or make the contents of the manual available to third parties, in whole or in part, without the prior written consent of Wisepick Productions B.V. and/or the third party to whom the data belong.

CONTACT DETAILS

Pierre is a registered brand of Wisepick Productions B.V.

Customer service can be reached at: www.coolblue.nl/en/customer-service

WISEPICK PRODUCTIONS B.V.

Weena 664

3012 CN Rotterdam

The Netherlands

1. SAFETY

Make sure you have read and understood the safety instructions fully before installing, using or maintaining the appliance. In this way you avoid possible material damage and immaterial damage to you or to others, the appliance, your other property or other people's property.

1.1 Safety warnings and instructions

WARNING!

- Always be alert and careful. Do not use electrical appliances if you suffer from impaired concentration or lack the necessary awareness, or if you are under the influence of drugs, alcohol or medication. Even the slightest distraction can lead to serious accidents and injuries when using electrical appliances.
- Make sure you have read and understood the instructions in this manual completely before installing or using the appliance. Keep this document for future use for as long as you use and/or own the appliance.
- This appliance is not intended for use by persons (including children) with limited physical, sensory or mental capabilities or lack of experience and knowledge, unless they have been given supervision or instructions concerning use of the appliance by a person responsible for their safety.
- Only use the appliance as described in this manual.
- Never pull the power cable to disconnect the plug from the power socket. Always hold the plug firmly and pull it straight out of the power socket.
- Do not allow children to play with the appliance or its components. The appliance and components are not toys.
- **RISK OF SUFFOCATION.** Never let children play with the packaging material. Keep the packaging material out of reach of children.
- Cleaning and maintenance must not be carried out by children without supervision.
- Place the appliance on a flat, stable, heat-resistant and moisture-resistant surface.
- Before using the appliance, check that the voltage on the type plate matches the voltage of the power socket.

- Do not expose the appliance to heat, direct sunlight or moisture.
- Keep the power cable away from heat, oil, sharp edges or moving parts.
- Unplug the appliance when it is wet or damp.
- Never operate the appliance with wet hands.
- Do not use the appliance without ingredients.
- Do not use the appliance to mix hot or warm ingredients and food stuffs.
- Do not use the appliance to mix hard or dry ingredients or food stuffs.
- Do not plug in the appliance into the power socket until it has been assembled.
- Never wrap the power cable around the appliance. Fully unwind the power cable before use.
- Only use the power cable installed on the appliance by the manufacturer. Do not change the power cable.
- Do not use an extension cord with this appliance.
- Do not use the appliance if any of its components are damaged or faulty. Replace a damaged or faulty appliance immediately. Remove the plug from the power socket and contact customer service or dispose of the appliance in an environmentally friendly way.
- Never clean the appliance with aggressive or abrasive cleaners or sharp objects.
- Cleaning and user maintenance must not be carried out by children without supervision.
- Never place the appliance in a dishwasher.
- Do not perform any repairs to the appliance that are not described in this manual. The appliance may only be repaired by an authorised service technician.
- Do not insert objects or your hands into the appliance when it is in use.
- Never leave the appliance unattended while in use. Turn off the appliance and remove the plug from the power socket when you leave the room.
- Do not move the appliance when it is switched on or it is still hot.
- Never immerse the appliance in water or in other liquids.
- Always remove the plug from the power socket before cleaning the appliance.

- Make sure that the lid is correctly attached before use.
- Handle the sharp chopper blade with care.
- **TRIP HAZARD DUE TO LOOSE CABLES.** Never leave the power cable in such a position that someone could trip over it or inadvertently pull it.

1.2 Intended use and anticipated unintended use

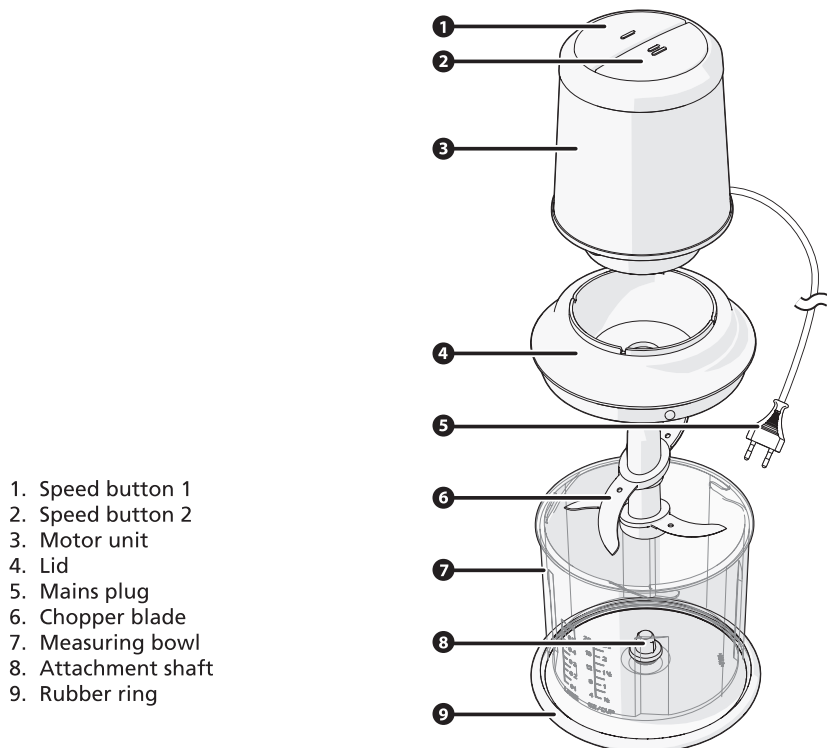
- This appliance is intended for chopping and mixing ingredients and food stuffs.
- This appliance is only intended for use indoors.
- This appliance is intended for domestic use.
- This appliance is not intended for commercial use.
- This appliance is not intended for chopping and mixing hot, hard or dry ingredients and food stuffs.
- This appliance is not intended for use by persons (including children) with limited physical, sensory or mental capabilities or lack of experience and knowledge, unless they have been given supervision or instructions concerning use of the appliance by a person responsible for their safety.
- This appliance may not be used by children under 8 years of age.
- Any use of the appliance other than as described in this manual is considered to be unintended use and can result in property and immaterial damage to you or to others, the appliance, your other property or other people's property and the expiry of the warranty.

2. PRODUCT FEATURES

2.1 Technical specifications

Chopper type	PFC5000
Dimensions (l x w x h)	13,7 x 13,7 x 25,1 cm
Power	400 W
Nominal voltage	220 - 240 V, 50 Hz / 60 Hz
Energy consumption	0 W
Measuring bowl content	600 ml
Cable length	< 1 m
Maximum operating time [with ingredients]	1 minute
Minimum fill level	Fill the measuring bowl at least to above the lower chopper blade

2.2 Main components and standard attachments



2.3 Warranty

This device comes with a warranty period of three years after purchase. For more information about the warranty conditions, please visit www.coolblue.nl/en/customer-service. In order to be able to make a claim against the warranty, you must have the proof of purchase that states the purchase and/or delivery date.

3. INSTALLATION

Before installing the appliance, carefully review the safety information in chapter 1.

3.1 Requirements for the location where the appliance is installed

Place the appliance in a location that satisfies the following conditions:

- A flat, stable, heat-resistant and moisture-resistant surface.
- Not in direct sunlight.
- Not directly next to heat sources, such as heaters or stoves.

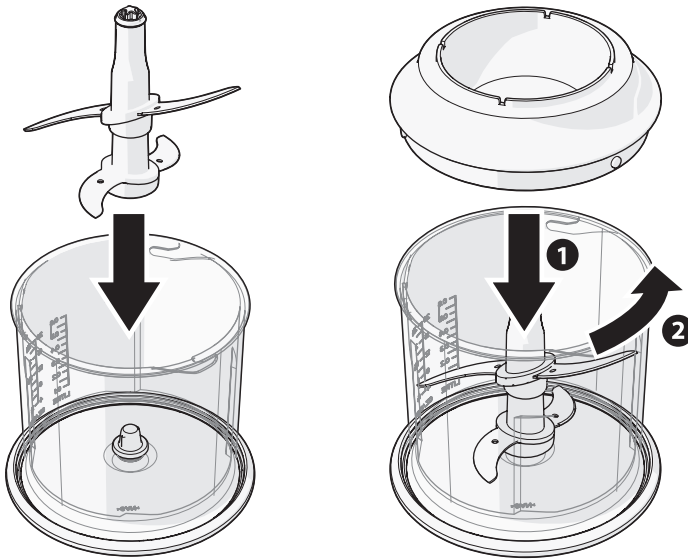
3.2 Remove and check the packaging

Check that all components are present and that the appliance is not damaged. If components are missing or damaged, please contact Coolblue: www.coolblue.nl/customer-service

3.3 Clean before first use

1. Clean the following components with warm water and washing-up liquid:
 - Measuring bowl
 - Lid
 - Chopper blade
2. Clean the outside of the appliance with a soft, damp cloth.
3. Dry all components with a soft cloth.

3.4 Assembling the appliance



⚠ WARNING!

Handle the chopper blade with care. The chopper blade is very sharp.

1. Place the chopper blade in the measuring bowl on the attachment shaft.
2. Fill the measuring bowl with the desired ingredients.

⚠ WARNING!

Never fill the measuring bowl with more than 400 ml of liquid ingredients.

1. Place the lid on the measuring bowl and turn anticlockwise until it locks.
2. Place the motor unit on the lid.

4. USE

Before using the appliance, carefully review the safety information in chapter 1.

WARNING!

DANGER FROM MOVING PARTS

- Keep hands and objects away from the chopper blade when the appliance is running.
- Do not insert objects into the grinding bowl while the machine is in use.
- Do not use the appliance to mix hot or warm ingredients and food stuffs.
- Do not use the appliance to mix hard or dry ingredients or foodstuffs.
- The chopper blade may continue to rotate for a short time after stopping. Leave the plastic bowl in place until the chopper blade has come to a complete stop.

ATTENTION!

- The maximum operating time for the chopper is 60 seconds. After that, let the appliance cool down for 10 minutes.
 - i. Use in short pulses at 10-second intervals to extend the maximum operating time.
- Do not use the appliance without ingredients or foodstuffs in the measuring bowl.
- Only use the appliance in accordance with the usage guidelines stated in this manual.
- The appliance may give off a burning smell during the first use. This is normal. The smell disappears after a while.

4.1 Operating the appliance

1. Insert the plug into a power socket.
2. Hold down the desired speed button while holding the motor unit.
 - i. The appliance has two speed settings. Press and hold speed button 1 for low speed. Press and hold speed button 2 for high speed.

4.2 After use

WARNING!

The chopper blade may continue to rotate for a short time after stopping. Leave the plastic bowl in place until the chopper blade has come to a complete stop.

Handle the chopper blade with care. The chopper blade is very sharp.

1. Remove the mains plug from the power socket.
2. Remove the motor unit from the lid.
3. Turn the lid clockwise to remove it from the measuring bowl.
4. Remove the chopper blade from the attachment shaft.

5. CLEANING AND MAINTENANCE

Before cleaning and maintaining the device, carefully review the safety information from chapter 1.

5.1 Cleaning the device



WARNING!

ELECTROCUTION HAZARD DUE TO SHORT CIRCUIT. Never immerse the device in water or other liquids.

ELECTROCUTION HAZARD DUE TO SHORT CIRCUIT. Always remove the plug from the socket before cleaning the device.



CAUTION!

Always allow the device to come to a complete stop before maintenance or cleaning.



ATTENTION!

Never clean the device with aggressive or abrasive cleaners, or sharp objects.

Never place the appliance in a dishwasher. The measuring bowl, chopper blade and lid are dishwasher-safe and should be placed in the top rack of the dishwasher.

1. Clean the following components with warm water and washing-up liquid:
 - Measuring bowl
 - Chopper blade
 - Lid
2. Clean the outside of the appliance with a soft, damp cloth.
3. Dry all components with a soft cloth.
 - i. Ensure that all components are dry before using them again.

6. TROUBLESHOOTING

You can fix some problems easily yourself using the information in the table below. If the following descriptions do not solve your problem, please contact our customer service: www.coolblue.nl/customer-service

6.1 Troubleshooting

PROBLEM	POSSIBLE CAUSE	POSSIBLE SOLUTION
The appliance cannot be switched on.	The plug is not inserted properly in the power socket.	Insert the plug properly.
	The power cable is defective.	An authorised service technician is needed to resolve the problem. Please contact customer service.
The appliance switches off.	The appliance overheated because of prolonged continuous use.	Let the appliance cool down.
The chopper blade does not rotate.	The appliance is faulty.	An authorised service technician is needed to resolve the problem. Please contact customer service.
The appliance makes an exceptional amount of noise.	The chopper blade is defective or incorrectly positioned.	Check the chopper blade and replace it if necessary.
The appliance does not chop or mix properly.	The chopper blade is blunt.	Check the chopper blade and replace it if necessary.
	Ingredients stuck.	Check the contents of the bowl and reduce the amount of ingredient.
	The ingredients are too thick or too dry.	Add water or oil to the ingredients.

7. PUTTING THE DEVICE AWAY

1. Remove the mains plug from the power socket.
2. Clean the appliance. Follow the instructions in section 5. Cleaning and maintenance.
3. Store the appliance in its original packaging in a dry and ventilated space.

8. DISPOSAL

8.1 Disposing of packaging material

The packaging material consists of various materials. When disposing of packaging material, follow national and local regulations regarding the environmentally friendly disposal of packaging material.

8.2 Disposing of the device



The materials used in this device and marked with this symbol are recyclable. The marking indicates that this product must not be disposed of via household waste throughout the EU.



This symbol indicates that the device must not be disposed of with other household waste within the EU. By properly disposing of the device, you help prevent potential hazards to the environment and public health. Recycling materials contributes to the conservation of our natural resources. Therefore, do not dispose of discarded electronic devices along with household waste. When disposing of the device, follow national and local regulations regarding the environmentally friendly disposal of electronic devices. You can also contact Wisepick Productions B.V. if you no longer want to use the device or you can return it to a Coolblue B.V. store of your choice.

CONTACT DETAILS PIERRE

Wisepick Productions B.V.
Weena 664
3012 CN Rotterdam
The Netherlands

GEBRUIKSHANDLEIDING

VOORWOORD	17
1. VEILIGHEID	19
1.1 Veiligheidswaarschuwingen en -voorschriften	19
1.2 Bedoeld gebruik en te verwachten onbedoeld gebruik	21
2. PRODUCTEIGENSCHAPPEN	22
2.1 Technische gegevens	22
2.2 Hoofdonderdelen en standaard opzetstukken	22
2.3 Garantie	23
3. INSTALLATIE	23
3.1 Eisen aan de plaats van installatie	23
3.2 Verpakking verwijderen en controleren	23
3.3 Voor eerste gebruik reinigen	23
3.4 Het apparaat assembleren	24
4. GEBRUIK	25
4.1 Het apparaat bedienen	25
4.2 Na gebruik	25
5. REINIGING EN ONDERHOUD	26
5.1 Het apparaat reinigen	26
6. STORINGEN OPLOSSEN	27
6.1 Storingen oplossen	27
7. BUITEN GEBRUIK STELLEN	27
8. AFVOEREN	28
8.1 Verpakkingsmateriaal afvoeren	28
8.2 Het apparaat afvoeren	28

VOORWOORD

OVER DIT DOCUMENT

- Pierre kan op geen enkele wijze aansprakelijk worden gesteld voor immateriële schade aan u of aan anderen, of materiële schade aan het apparaat, uw eigendommen of eigendommen van anderen ontstaan door het niet of niet juist opvolgen van de instructies in deze handleiding.
- In de waarschuwingen en veiligheidsvoorschriften in deze handleiding worden niet alle mogelijke omstandigheden en situaties besproken.
- Als u contact opneemt met onze klantenservice, zorg er dan voor dat u het modelnummer gereed heeft. De informatie vindt u op het typeplaatje of op de voorzijde van deze handleiding.

OORSPRONKELIJKE INSTRUCTIES

Deze handleiding is oorspronkelijk geschreven in het Nederlands. Alle andere talen zijn vertaalde documenten. In geval van vertaalfouten, is de Nederlandse versie leidend.

GEBRUIKTE SYMBOLEN

SYMBOOL	OMSCHRIJVING
 GEVAAR!	Duidt op brandgevaar en/of brandbare materialen.
 WAARSCHUWING!	Duidt op een gevaarlijke situatie die, indien deze niet wordt vermeden, kan leiden tot ernstige immateriële schade aan u of anderen.
 VOORZICHTIG!	Duidt op een gevaarlijke situatie die, indien deze niet wordt vermeden, kan leiden tot lichte immateriële schade aan u of anderen.
 LET OP!	Duidt op een situatie die verband houdt met materiële schade.
 OPMERKING	Duidt op nuttige, aanvullende informatie.

OPMERKING

U kunt de laatste versie van deze handleiding ook online terugvinden, op www.coolblue.nl als u zoekt op het artikelnummer.

AUTEURSRECHT

De in deze handleiding afgebeelde gegevens, waaronder begrepen teksten, foto's, grafische tekeningen, beeldmerken, (handels)namen en logo's, zijn eigendom van Pierre en worden beschermd door het auteursrecht, merkenrecht en/of enig ander intellectueel eigendomsrecht, tenzij deze gegevens toebehoren aan een derde. Het is u nimmer toegestaan de inhoud van de handleiding geheel of gedeeltelijk te reproduceren, over te dragen, te verspreiden, te bewaren of tegen vergoeding beschikbaar te stellen aan derden, zonder de voorafgaande schriftelijke toestemming van Pierre en/of de derde waar de gegevens aan toebehoren.

CONTACTGEGEVENS

Pierre is een geregistreerd merk van Wisepick Productions B.V.

De klantenservice kunt u bereiken via: www.coolblue.nl/klantenservice

WISEPICK PRODUCTIONS B.V.

Weena 664

3012 CN Rotterdam

Nederland

1. VEILIGHEID

Zorg dat u de veiligheidsinstructies volledig heeft gelezen en begrepen, voordat u het apparaat installeert, gebruikt of onderhoudt. Zo voorkomt u mogelijke materiële schade en immateriële schade aan u of aan anderen, het apparaat, uw andere eigendommen of eigendommen van anderen.

1.1 Veiligheidswaarschuwingen en -voorschriften

WAARSCHUWING!

- Wees altijd alert en voorzichtig. Gebruik geen elektrische apparaten als u last heeft van concentratiestoornissen of het nodige bewustzijn mist, of als u onder invloed bent van drugs, alcohol of medicijnen. Zelfs de geringste onoplettendheid kan leiden tot ernstige ongevallen en verwondingen bij het gebruik van elektrische apparaten.
- Zorg ervoor dat u de instructies in deze handleiding volledig gelezen en begrepen heeft voordat u het apparaat installeert of gebruikt. Bewaar dit document voor toekomstig gebruik zolang u het apparaat gebruikt en/of in bezit heeft.
- Dit apparaat is niet bedoeld voor gebruik door personen (waaronder kinderen) met beperkte fysieke, sensorische of geestelijke capaciteiten of met gebrek aan ervaring en kennis, tenzij ze onder toezicht staan of instructies betreffende het gebruik van het apparaat hebben ontvangen van iemand die verantwoordelijk is voor hun veiligheid.
- Gebruik het apparaat alleen zoals beschreven in deze handleiding.
- Trek nooit aan de stroomkabel om de stekker uit het stopcontact te trekken. Neem de stekker altijd stevig vast en trek hem recht uit het stopcontact.
- Laat kinderen niet spelen met het apparaat en de onderdelen. Het apparaat en de onderdelen zijn geen speelgoed.
- VERSTIKKINGSGEVAAR. Laat kinderen nooit met het verpakkingsmateriaal spelen. Houd het verpakkingsmateriaal buiten bereik van kinderen.
- Reiniging en onderhoud mogen niet door kinderen zonder toezicht worden uitgevoerd.
- Plaats het apparaat op een vlakke, stabiele, hitte- en vochtbestendige ondergrond.

- Controleer voordat u het apparaat gaat gebruiken of het voltage op het typeplaatje overeenkomt met het voltage van het stopcontact.
- Stel het apparaat niet bloot aan hitte, direct zonlicht of vocht.
- Plaats de voedingskabel niet in de buurt van hitte, olie, scherpe randen en bewegende delen.
- Haal de stekker uit het stopcontact wanneer het apparaat nat of vochtig is.
- Bedien het apparaat niet met natte handen.
- Gebruik het apparaat niet zonder ingrediënten.
- Gebruik het apparaat niet om warme of hete ingrediënten en voedselwaren te mixen.
- Gebruik het apparaat niet om harde of droge ingrediënten of voedselwaren te mixen.
- Steek de stekker pas in het stopcontact nadat het apparaat gemonteerd is.
- Wikkel de voedingskabel nooit rondom het apparaat. Wikkel de voedingskabel voor gebruik volledig af.
- Gebruik uitsluitend de voedingskabel die vanuit de fabriek op het apparaat is gemonteerd. Wijzig de voedingskabel niet.
- Gebruik geen verlengsnoer met dit apparaat.
- Gebruik het apparaat niet als een onderdeel beschadigd of defect is. Vervang een beschadigd of defect apparaat onmiddellijk. Haal de stekker uit het stopcontact en neem contact op met de klantenservice of gooi het apparaat op een milieuvriendelijke wijze weg.
- Reinig het apparaat nooit met agressieve of schurende schoonmaakmiddelen, of scherpe voorwerpen.
- Reiniging en gebruikersonderhoud mogen niet zonder toezicht door kinderen worden uitgevoerd.
- Plaats het apparaat nooit in een vaatwasser.
- Voer geen reparaties uit aan het apparaat die niet omschreven zijn in deze handleiding. Het apparaat mag alleen worden gerepareerd door een bevoegde servicemonteur.
- Steek geen voorwerpen of uw handen in het apparaat als dit in gebruik is.
- Laat het apparaat nooit onbeheerd achter wanneer het apparaat in gebruik is. Schakel het apparaat uit en haal de stekker uit het stopcontact als u de ruimte verlaat.
- Verplaats het apparaat niet wanneer het apparaat ingeschakeld is of nog heet is.

- Dompel het apparaat nooit onder in water of andere vloeistoffen.
- Haal altijd de stekker uit het stopcontact voordat u het apparaat schoonmaakt.
- Zorg dat de deksel correct is bevestigd voor gebruik.
- Hanteer het scherpe mes met zorg.
- **STRUIKELGEVAAR DOOR LOSHANGENDE KABELS.** Laat de voedingskabel nooit hangen op een manier dat iemand er over kan struikelen of er per ongeluk aan kan trekken.

1.2 Bedoeld gebruik en te verwachten onbedoeld gebruik

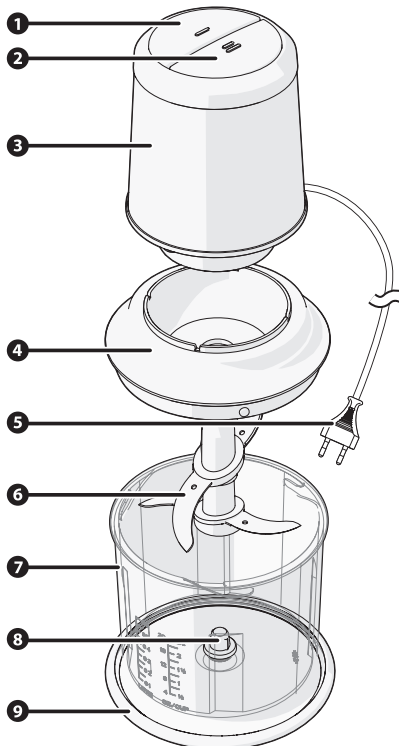
- Dit apparaat is bedoeld voor het hakken en mixen van ingrediënten en voedselwaren.
- Dit apparaat is uitsluitend bedoeld voor gebruik binnenshuis.
- Dit apparaat is bedoeld voor huishoudelijk gebruik.
- Dit apparaat is niet bedoeld voor commercieel gebruik.
- Dit apparaat is niet bedoeld voor het hakken en mixen van hete, harde of droge ingrediënten en voedselwaren.
- Dit apparaat is niet bedoeld voor gebruik door personen (waaronder kinderen) met beperkte fysieke, sensorische of geestelijke capaciteiten of met gebrek aan ervaring en kennis, tenzij ze onder toezicht staan of instructies betreffende het gebruik van het apparaat hebben ontvangen van iemand die verantwoordelijk is voor hun veiligheid.
- Dit apparaat mag niet gebruikt worden door kinderen jonger dan 8 jaar.
- Elk ander gebruik van het apparaat dan beschreven in deze handleiding wordt beschouwd als onbedoeld gebruik en kan leiden tot materiële schade en immateriële schade aan u of aan anderen, het apparaat, uw andere eigendommen of eigendommen van anderen en het vervallen van de garantie.

2. PRODUCTEIGENSCHAPPEN

2.1 Technische gegevens

Type hakmolen	PFC5000
Afmetingen (l x b x h)	13,7 x 13,7 x 25,1 cm
Vermogen	400 W
Nominale spanning	220 - 240 V, 50 Hz / 60 Hz
Energieverbruik	0 W
Inhoud maatbeker	600 ml
Snoer lengte	< 1 m
Maximale werkingsduur [met ingrediënten]	1 minuut
Minimaal vulniveau	Vul de maatbeker minimaal tot boven het onderste mes

2.2 Hoofdonderdelen en standaard opzetstukken



1. Snelheidsknop 1
2. Snelheidsknop 2
3. Motoreenheid
4. Deksel
5. Stekker
6. Mes
7. Maatbeker
8. Bevestigingsas
9. Rubberen ring

2.3 Garantie

Dit apparaat wordt geleverd met een garantieperiode van 3 jaar na aankoop. Ga voor meer informatie over de garantievoorwaarden naar www.coolblue.nl/klantenservice. U dient in ieder geval te beschikken over de aankoopbon met koop- en/of leverdatum om aanspraak te kunnen maken op de garantie.

3. INSTALLATIE

Neem voordat u het apparaat installeert nauwkeurig de veiligheidsinformatie uit hoofdstuk 1 door.

3.1 Eisen aan de plaats van installatie

Plaats het apparaat op een locatie die aan de volgende voorwaarden voldoet:

- Een vlakke, stabiele, hitte- en vochtbestendige ondergrond.
- Niet in direct zonlicht.
- Niet direct naast warmtebronnen zoals kachels of fornuizen.

3.2 Verpakking verwijderen en controleren

Controleer of alle onderdelen aanwezig zijn en of het apparaat geen beschadigingen vertonen.

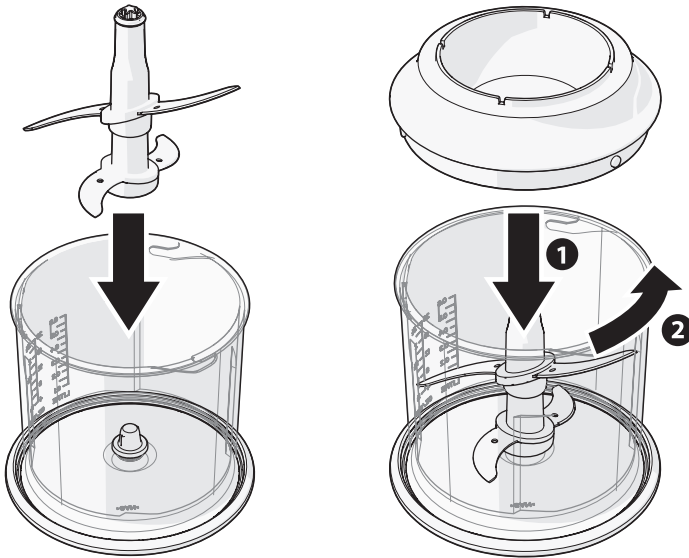
Indien er onderdelen ontbreken of beschadigd zijn, neem dan contact op met Coolblue: www.coolblue.nl/klantenservice

3.3 Voor eerste gebruik reinigen

1. Reinig de volgende onderdelen met warm water en afwasmiddel:
 - Maatbeker
 - Deskel
 - Mes
2. Maak de buitenkant van het apparaat schoon met een zachte, vochtige doek.
3. Maak alle onderdelen droog met een zachte doek.

3.4 Het apparaat assembleren

TN



WAARSCHUWING!

Hanteer het mes met zorg. Het mes is zeer scherp.

1. Plaats het mes in de maatbeker op de bevestigingsas.
2. Vul de maatbeker met de gewenste ingrediënten.

WAARSCHUWING!

Vul de maatbeker nooit met meer dan 400 ml vloeibare ingrediënten.

3. Plaats het deksel op de maatbeker en draai het tegen de klok in totdat het vastklikt.
4. Plaats de motoreenheid op de deksel.

4. GEBRUIK

Neem voordat u het apparaat gebruikt nauwkeurig de veiligheidsinformatie uit hoofdstuk 1 door.



WAARSCHUWING!

GEVAAR DOOR BEWEGENDE ONDERDELEN

- Steek geen voorwerpen of uw handen in het mes terwijl de machine in gebruik is.
- Steek geen voorwerpen in de maatbeker terwijl de machine in gebruik is.
- Gebruik het apparaat niet om warme of hete ingrediënten en voedselwaren te mixen.
- Gebruik het apparaat niet om harde of droge ingrediënten of voedselwaren te mixen.
- Het mes kan kort na het stoppen nog doorbewegen. Laat de maatbeker zitten totdat het mes compleet tot stilstand is gekomen.



LET OP!

- De maximale werkingsduur voor de hakmolen is 60 seconden. Laat het apparaat daarna 10 minuten afkoelen.
 - i. Gebruik het apparaat in korte pulsen met tussenpozen van 10 seconden om de maximale werkduur te verlengen.
- Gebruik het apparaat niet zonder ingrediënten of voedselwaren in de maatbeker.
- Gebruik het apparaat alleen volgens de in deze handleiding aangegeven gebruiksrichtlijnen.
- Het apparaat kan tijdens het eerste gebruik een verbrande geur afgeven. Dit is normaal. De geur verdwijnt na enige tijd.

4.1 Het apparaat bedienen

1. Steek de stekker in een stopcontact.
2. Houd de gewenste snelheidsknop ingedrukt terwijl je de motoreenheid vasthoudt.
 - i. Het apparaat heeft twee snelheidsstanden. Houd snelheidsknop 1 ingedrukt voor lage snelheid. Houd snelheidsknop 2 ingedrukt voor hoge snelheid.

4.2 Na gebruik



WAARSCHUWING!

Het mes kan kort na het stoppen nog doorbewegen. Laat de maatbeker zitten totdat het mes compleet tot stilstand is gekomen.

Hanteer het mes met zorg. Het mes is zeer scherp.

1. Haal de stekker uit het stopcontact.
2. Verwijder de motoreenheid van de deksel.
3. Draai de deksel met de klok mee om deze van de maatbeker te verwijderen.
4. Verwijder het mes van de bevestigingsas.

5. REINIGING EN ONDERHOUD

Neem voordat u het apparaat gaat onderhouden en reinigen nauwkeurig de veiligheidsinformatie uit hoofdstuk 1 door.

5.1 Het apparaat reinigen

WAARSCHUWING!

ELEKTROCUTIEGEVAAR DOOR KORTSLUITING. Dompel het apparaat nooit onder in water of andere vloeistoffen.

ELEKTROCUTIEGEVAAR DOOR KORTSLUITING. Haal altijd de stekker uit het stopcontact voordat u het apparaat schoonmaakt.

VOORZICHTIG!

Laat het apparaat altijd volledig tot stilstand komen voordat u het apparaat onderhoudt of reinigt.

LET OP!

Reinig het apparaat nooit met agressieve of schurende schoonmaakmiddelen, of scherpe voorwerpen.

Plaats het apparaat nooit in een vaatwasser. De maatbeker, het mes en de deksel mogen wel in de vaatwasser op de bovenste lade.

1. Reinig de volgende onderdelen met warm water en afwasmiddel:
 - Maatbeker
 - Mes
 - Deksel
2. Maak de buitenkant van het apparaat schoon met een zachte, vochtige doek.
3. Maak alle onderdelen droog met een zachte doek.
 - i. Zorg dat alle onderdelen droog zijn voordat deze weer worden gebruikt.

6. STORINGEN OPLOSSEN

Sommige problemen kunt u eenvoudig zelf verhelpen met behulp van de onderstaande tabel. Mochten onderstaande beschrijvingen uw probleem niet oplossen, neemt u dan contact op met onze klantenservice: www.coolblue.nl/klantenservice

6.1 Storingen oplossen

PROBLEEM	MOGELIJKE OORZAAK	MOGELIJKE OPLOSSING
Het apparaat kan niet worden ingeschakeld.	De stekker zit niet goed in het stopcontact.	Steek de stekker goed in het stopcontact.
	De voedingskabel is defect.	Er is een bevoegde servicemonteur nodig om het probleem op te lossen. Neem contact op met de klantenservice.
Het apparaat schakelt uit.	Het apparaat is oververhit door te veel gebruik achter elkaar.	Laat het apparaat afkoelen.
Het mes draait niet.	Het apparaat is defect.	Er is een bevoegde servicemonteur nodig om het probleem op te lossen. Neem contact op met de klantenservice.
Het apparaat maakt uitzonderlijk veel geluid.	Het mes is defect of verkeerd geplaatst.	Controleer het mes en vervang deze indien nodig.
Het apparaat hakt of mixt niet goed.	Het mes is bot.	Controleer het mes en vervang deze indien nodig.
	Ingrediënten zitten vast.	Controleer de inhoud van de kom en verminder de hoeveelheid ingrediënten.
	De ingrediënten zijn te dik of droog.	Voeg water of olie toe aan de ingrediënten.

7. BUITEN GEBRUIK STELLEN

1. Haal de stekker uit het stopcontact.
2. Maak het apparaat schoon. Volg de instructies in hoofdstuk 5. Reiniging en onderhoud.
3. Bewaar het apparaat in de originele verpakking in een droge en afgesloten ruimte.

8. AFVOEREN

8.1 Verpakkingsmateriaal afvoeren

Het verpakkingsmateriaal bestaat uit verschillende materialen. Volg bij het afvoeren van het verpakkingsmateriaal de nationale en lokale regelgeving met betrekking tot het milieuvriendelijk afvoeren van het verpakkingsmateriaal.

8.2 Het apparaat afvoeren



De materialen die in dit apparaat worden gebruikt en zijn gemarkeerd met dit symbool zijn recyclebaar. De markering duidt erop dat dit product in de gehele EU niet mag worden weggegooid bij het huishoudelijk afval.



Dit symbool geeft aan dat het apparaat niet met ander huishoudelijk afval weggegooid mag worden binnen de EU. Door het apparaat op de juiste wijze af te voeren, helpt u mogelijke gevaren voor het milieu en de volksgezondheid te voorkomen. Het recyclen van materialen draagt bij tot het behoud van natuurlijke hulpbronnen. Gooi afgedankte elektronische apparaten daarom niet weg met het huishoudelijk afval. Volg bij het afvoeren van het apparaat de nationale en lokale regelgeving met betrekking tot het milieuvriendelijk afvoeren van elektronische apparatuur. U kunt ook contact opnemen met Wisepick Productions B.V. wanneer u het apparaat niet meer wil gebruiken of u kunt het apparaat inleveren bij een Coolblue B.V. winkel naar keuze.

CONTACTGEGEVENS PIERRE

Wisepick Productions B.V.
Weena 664
3012 CN Rotterdam
Nederland

NOTICE D'UTILISATION

AVANT-PROPOS	30
1. SÉCURITÉ	32
1.1 Avertissements et consignes de sécurité	32
1.2 Utilisation prévue et utilisation involontaire prévisible	34
2. PROPRIÉTÉS DU PRODUIT	35
2.1 Caractéristiques techniques	35
2.2 Pièces principales et accessoires standard	35
2.3 Garantie	36
3. INSTALLATION	36
3.1 Exigences relatives au lieu d'installation	36
3.2 Retirer l'emballage et vérifier le contenu	36
3.3 Nettoyage avant la première utilisation	36
3.4 Assemblage de l'appareil	37
4. UTILISATION	38
4.1 Utilisation de l'appareil	38
4.2 Après utilisation	38
5. NETTOYAGE ET ENTRETIEN	39
5.1 Nettoyage de l'appareil	39
6. DYSFONCTIONNEMENTS ET SOLUTIONS	40
6.1 Dépannage	40
7. MISE HORS SERVICE	40
8. MISE AU REBUT	41
8.1 Éliminer l'emballage	41
8.2 Éliminer l'appareil	41

AVANT-PROPOS






À PROPOS DE CE DOCUMENT

- Pierre ne peut en aucun cas être tenu responsable des dommages immatériels causés à vous-même ou à autrui, ou des dommages matériels causés à l'appareil, à vos biens ou à ceux d'autrui, suite au non-respect des instructions contenues dans ce manuel.
- Les avertissements et consignes de sécurité de ce manuel ne décrivent pas toutes les circonstances et situations possibles.
- Si vous contactez notre service clientèle, assurez-vous d'avoir le numéro de modèle à portée de main. Vous trouverez les informations sur la plaque signalétique ou au recto de ce manuel.

INSTRUCTIONS D'ORIGINE

Ce manuel a été écrit à l'origine en néerlandais. Toutes les autres langues sont des documents traduits. En cas d'erreurs de traduction, la version néerlandaise prévaut.

SYMBOLES UTILISÉS

SYMBOLE	DESCRIPTION
 DANGER !	Indique un risque d'incendie et/ou des matériaux inflammables.
 AVERTISSEMENT !	Indique une situation dangereuse qui, si elle n'est pas évitée, peut entraîner de graves dommages immatériels à vous ou à autrui.
 PRUDENCE !	Indique une situation dangereuse qui, si elle n'est pas évitée, peut entraîner de légers dommages immatériels à vous ou à autrui.
 ATTENTION !	Indique une situation liée à des dégâts matériels.
 REMARQUE	Indique des informations complémentaires utiles.

REMARQUE

Vous pouvez également trouver la dernière version de ce manuel en ligne, à l'adresse suivante : www.coolblue.be en effectuant une recherche à partir du numéro de l'article.

DROIT D'AUTEUR

Les données représentées dans ce manuel, y compris les textes, photos, dessins graphiques, marques figuratives, noms (commerciaux) et logos, sont la propriété de Wisepick Productions B.V. et sont protégées par le droit d'auteur, le droit des marques et/ou tout autre droit de propriété intellectuelle, sauf si ces données appartiennent à un tiers. Vous n'êtes en aucun cas autorisé(e) à reproduire, transférer, distribuer, conserver ou mettre à la disposition de tiers contre rémunération la totalité ou une partie du contenu du manuel sans l'autorisation écrite préalable de Wisepick Productions B.V. et/ou du tiers auquel les données appartiennent.

COORDONNÉES

Pierre est une marque déposée de Wisepick Productions B.V.

Le service client est joignable via : <https://www.coolblue.be/fr/service-client>

WISEPICK PRODUCTIONS B.V.

Weena 664

3012 CN Rotterdam

Pays-Bas

1. SÉCURITÉ

Assurez-vous d'avoir bien lu et compris les consignes de sécurité avant d'installer, d'utiliser ou d'entretenir l'appareil. Vous éviterez ainsi d'éventuels dommages matériels et immatériels à vous-même ou à autrui, à l'appareil, à vos autres biens ou à ceux d'autrui.

1.1 Avertissements et consignes de sécurité

AVERTISSEMENT !

- Soyez toujours vigilant et prudent. N'utilisez pas d'appareils électriques si vous souffrez de problèmes de concentration ou si vous manquez de la conscience nécessaire, ou si vous êtes sous l'influence de drogues, d'alcool ou de médicaments. La moindre inattention peut entraîner des accidents et des blessures graves lors de l'utilisation d'appareils électriques.
- Assurez-vous d'avoir bien lu et compris les instructions de ce manuel avant d'installer ou d'utiliser l'appareil. Conservez ce document pour une utilisation future tant que vous utilisez et/ou possédez l'appareil.
- Cet appareil n'est pas destiné à être utilisé par des personnes (y compris des enfants) dont les capacités physiques, sensorielles ou mentales sont réduites ou qui manquent d'expérience et de connaissances, à moins qu'elles ne soient surveillées ou aient reçu des instructions concernant l'utilisation de l'appareil d'une personne responsable de leur sécurité.
- N'utilisez l'appareil que de la manière décrite dans ce manuel.
- Ne tirez jamais sur le câble d'alimentation pour enlever la fiche de la prise. Saisissez toujours la fiche fermement et retirez-la directement de la prise.
- Ne laissez pas les enfants jouer avec l'appareil et ses composants. L'appareil et ses composants ne sont pas des jouets.
- **RISQUE D'ÉTOUFFEMENT.** Ne laissez jamais les enfants jouer avec l'emballage. Tenez l'emballage hors de portée des enfants.
- Le nettoyage et l'entretien ne doivent pas être effectués par des enfants sans surveillance.

- Placez l'appareil sur une surface plane, stable, résistant à la chaleur et à l'humidité.
- Avant d'utiliser l'appareil, vérifiez que la tension indiquée sur la plaque signalétique correspond à la tension de la prise.
- N'exposez pas l'appareil à la chaleur, à la lumière directe du soleil ou à l'humidité.
- Ne placez pas le câble d'alimentation à proximité de chaleur, d'huile, de bords tranchants et de pièces mobiles.
- Débranchez l'appareil s'il est mouillé ou humide.
- Ne manipulez pas l'appareil avec des mains mouillées.
- N'utilisez pas l'appareil sans ingrédients.
- N'utilisez pas l'appareil pour mixer des ingrédients ou aliments chauds ou brûlants.
- N'utilisez pas l'appareil pour mixer des ingrédients ou aliments durs ou secs.
- Ne branchez l'appareil qu'après l'avoir assemblé.
- N'enroulez jamais le câble d'alimentation autour de l'appareil. Déroulez complètement le câble d'alimentation avant utilisation.
- Utilisez uniquement le câble d'alimentation monté d'usine sur l'appareil. Ne changez pas le câble d'alimentation.
- N'utilisez pas de rallonge avec cet appareil.
- N'utilisez pas l'appareil si l'une de ses pièces est endommagée ou défectueuse. Remplacez immédiatement un appareil endommagé ou défectueux. Débranchez l'appareil et contactez le service clientèle ou mettez l'appareil au rebut de manière respectueuse de l'environnement.
- Ne nettoyez jamais l'appareil avec des produits agressifs ou abrasifs ou avec des objets tranchants.
- Le nettoyage et l'entretien ne doivent pas être effectués par des enfants sans surveillance.
- Ne placez jamais l'appareil dans un lave-vaisselle.
- N'effectuez pas de réparations qui ne sont pas décrites dans le présent manuel. L'appareil ne peut être réparé que par un technicien de service qualifié.
- N'insérez pas d'objets ou vos mains dans l'appareil lorsqu'il est en cours d'utilisation.
- Ne laissez jamais l'appareil sans surveillance lorsqu'il fonctionne. Éteignez l'appareil et débranchez-le lorsque vous quittez la pièce.
- Ne déplacez pas l'appareil lorsqu'il est allumé ou encore chaud.

- N'immergez jamais l'appareil dans l'eau ou dans d'autres liquides.
- Retirez toujours la fiche de la prise avant de nettoyer l'appareil.
- Assurez-vous que le couvercle est correctement fixé avant utilisation.
- Manipulez la lame tranchante avec précaution.
- **RISQUE DE TRÉBUCHEMENT DÛ AUX CÂBLES.** Ne laissez jamais traîner le câble d'alimentation de manière à ce que quelqu'un puisse trébucher dessus ou le tirer accidentellement.

1.2 Utilisation prévue et utilisation involontaire prévisible

- Cet appareil est destiné à hacher et à mixer des ingrédients et des aliments.
- Cet appareil est destiné à un usage intérieur uniquement.
- Cet appareil est destiné à un usage domestique.
- Cet appareil n'est pas destiné à un usage commercial.
- Cet appareil n'est pas destiné à hacher et mixer des ingrédients et aliments chauds, durs ou secs.
- Cet appareil n'est pas destiné à être utilisé par des personnes (y compris des enfants) dont les capacités physiques, sensorielles ou mentales sont réduites ou qui manquent d'expérience et de connaissances, à moins qu'elles ne soient surveillées ou aient reçu des instructions concernant l'utilisation de l'appareil d'une personne responsable de leur sécurité.
- Cet appareil ne peut pas être utilisé par des enfants de moins de 8 ans.
- Toute utilisation de l'appareil autre que celle décrite dans ce manuel est considérée comme une utilisation involontaire et peut entraîner des dommages matériels et immatériels à vous-même ou à autrui, à l'appareil, à vos autres biens ou à ceux d'autrui ainsi que l'annulation de la garantie.

2. PROPRIÉTÉS DU PRODUIT

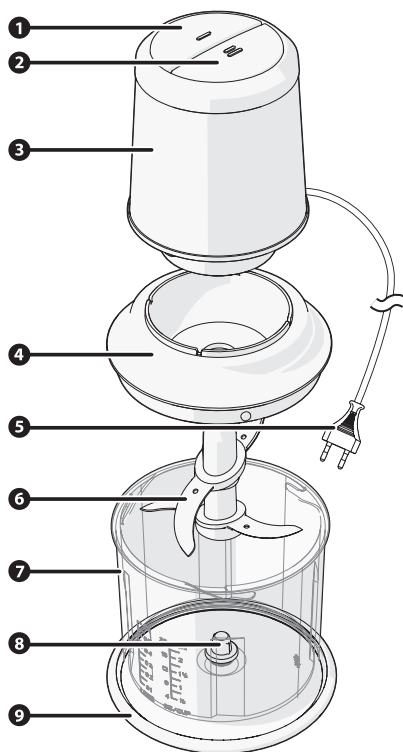
2.1 Caractéristiques techniques

Type de hachoir	PFC5000
Dimensions (l x p x h)	13,7 x 13,7 x 25,1 cm
Puissance	400 W
Tension nominale	220 - 240 V, 50 Hz / 60 Hz
Consommation d'énergie	0 W
Capacité du gobelet doseur	600 ml
Longueur du câble	< 1 m
Durée de fonctionnement maximale [avec ingrédients]	1 minute

Niveau de remplissage minimum	Remplissez le gobelet doseur au moins jusqu'au-dessus de la lame inférieure
-------------------------------	---

2.2 Pièces principales et accessoires standard

1. Bouton de vitesse 1
2. Bouton de vitesse 2
3. Unité motrice
4. Couvercle
5. Fiche
6. Lame
7. Gobelet doseur
8. Axe de fixation
9. Anneau en caoutchouc



2.3 Garantie

Cet appareil est couvert par une garantie de 3 ans après l'achat. Pour en savoir plus sur les conditions de garantie, rendez-vous sur www.coolblue.be/fr/service-client. Dans tous les cas, vous devez disposer de la facture d'achat avec la date d'achat et/ou de livraison pour faire valoir la garantie.

3. INSTALLATION

Avant d'installer l'appareil, lisez attentivement les informations relatives à la sécurité dans le chapitre 1.

3.1 Exigences relatives au lieu d'installation

Placez l'appareil à un endroit qui satisfait aux conditions suivantes :

- Une surface plane, stable, résistant à la chaleur et à l'humidité.
- Pas d'exposition directe à la lumière du soleil.
- Pas directement à côté de sources de chaleur telles que des poêles ou des fourneaux.

3.2 Retirer l'emballage et vérifier le contenu

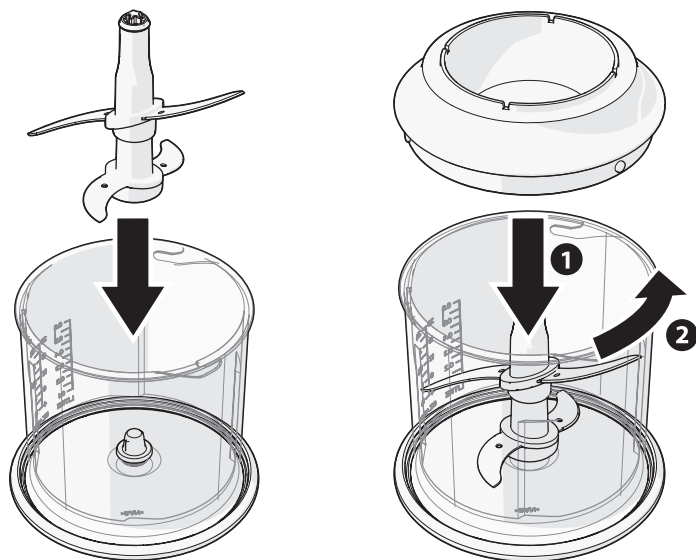
Vérifiez que toutes les pièces sont présentes et que l'appareil et les accessoires ne sont pas endommagés.

Si des pièces sont manquantes ou endommagées, contactez le service client de Coolblue : www.coolblue.be/fr/service-client

3.3 Nettoyage avant la première utilisation

1. Nettoyez les pièces suivantes avec de l'eau chaude et du liquide vaisselle :
 - Gobelet doseur
 - Couvercle
 - Lame
2. Nettoyez l'extérieur de l'appareil avec un chiffon doux et humide.
3. Séchez toutes les pièces avec un chiffon doux.

3.4 Assemblage de l'appareil



AVERTISSEMENT !

Manipulez la lame avec précaution. La lame est très tranchante.

1. Placez la lame dans le gobelet doseur, sur l'axe de fixation.
2. Remplissez le gobelet doseur avec les ingrédients souhaités.

AVERTISSEMENT !

Ne remplissez jamais le gobelet doseur avec plus de 400 ml d'ingrédients liquides.

3. Placez le couvercle sur le bol doseur et tournez-le dans le sens inverse des aiguilles d'une montre jusqu'à ce qu'il se verrouille.
4. Placez l'unité motrice sur le couvercle.

4. UTILISATION

Avant d'utiliser l'appareil, lisez attentivement les informations relatives à la sécurité énoncées dans le chapitre 1.



AVERTISSEMENT !

DANGER LIÉ AUX PIÈCES EN MOUVEMENT

- N'introduisez pas d'objets ou vos mains dans la lame lorsque la machine est en cours d'utilisation.
- N'introduisez pas d'objets dans le gobelet doseur lorsque l'appareil est en marche.
- N'utilisez pas l'appareil pour mixer des ingrédients ou aliments chauds ou brûlants.
- N'utilisez pas l'appareil pour mixer des ingrédients ou aliments durs ou secs.
- La lame peut continuer à bouger peu après l'arrêt. Laissez le gobelet doseur en place jusqu'à l'arrêt complet de la lame.



ATTENTION !

- La durée maximale de fonctionnement du hachoir est de 60 secondes. Laissez ensuite l'appareil refroidir pendant 10 minutes.
 - i. Utilisez l'appareil par courtes impulsions à intervalles de 10 secondes pour prolonger la durée maximale d'utilisation.
- N'utilisez pas l'appareil sans ingrédients ou aliments dans le gobelet doseur.
- N'utilisez l'appareil que conformément au guide d'utilisation repris dans le présent manuel.
- L'appareil peut dégager une odeur de brûlé lors de la première utilisation. C'est normal. L'odeur disparaît après un certain temps.

4.1 Utilisation de l'appareil

1. Insérez la fiche dans une prise.
2. Maintenez enfoncé le bouton de vitesse souhaité tout en tenant l'unité motrice.
 - i. L'appareil dispose de deux réglages de vitesse. Maintenez le bouton de vitesse 1 enfoncé pour obtenir une vitesse lente. Maintenez le bouton de vitesse 2 enfoncé pour obtenir une vitesse rapide.

4.2 Après utilisation



AVERTISSEMENT !

La lame peut continuer à bouger peu après l'arrêt. Laissez le gobelet doseur en place jusqu'à l'arrêt complet de la lame.

Manipulez la lame avec précaution. La lame est très tranchante.

1. Retirez la fiche de la prise.
2. Retirez l'unité motrice du couvercle.
3. Tournez le couvercle dans le sens des aiguilles d'une montre pour le retirer du gobelet doseur.
4. Retirez la lame de l'axe de fixation.

5. NETTOYAGE ET ENTRETIEN

Avant de passer à l'entretien et au nettoyage de l'appareil, lisez attentivement les informations de sécurité énoncées dans le chapitre 1.

5.1 Nettoyage de l'appareil



AVERTISSEMENT !

RISQUE D'ÉLECTROCUTION DÛ À UN COURT-CIRCUIT. N'immergez jamais l'appareil dans l'eau ou dans d'autres liquides.

RISQUE D'ÉLECTROCUTION DÛ À UN COURT-CIRCUIT. Retirez toujours la fiche de la prise avant de nettoyer l'appareil.



PRUDENCE !

Laissez toujours l'appareil s'arrêter complètement avant de procéder à l'entretien ou au nettoyage.



ATTENTION !

Ne nettoyez jamais l'appareil avec des produits agressifs ou abrasifs ou avec des objets tranchants.

Ne placez jamais l'appareil dans un lave-vaisselle. Le gobelet doseur, la lame et le couvercle peuvent être placés dans le tiroir supérieur du lave-vaisselle.

1. Nettoyez les pièces suivantes avec de l'eau chaude et du liquide vaisselle :
 - Gobelet doseur
 - lame
 - Couvercle
2. Nettoyez l'extérieur de l'appareil avec un chiffon doux et humide.
3. Séchez toutes les pièces avec un chiffon doux.
 - i. Assurez-vous que toutes les pièces sont sèches avant de les réutiliser.

6. DYSFONCTIONNEMENTS ET SOLUTIONS

Vous pouvez facilement résoudre certains problèmes vous-même à l'aide du tableau ci-dessous. Si les descriptions ci-dessous ne permettent pas de résoudre votre problème, veuillez contacter notre service clientèle : www.coolblue.be/fr/service-client

FR

6.1 Dépannage

PROBLÈME	CAUSE POSSIBLE	SOLUTION POSSIBLE
L'appareil ne peut pas être mis en marche.	La fiche n'est pas correctement branchée.	Branchez bien la fiche dans la prise.
	Le câble d'alimentation est défectueux.	Vous devez faire appel à un technicien qualifié. Contactez le service client.
L'appareil s'éteint.	L'appareil a surchauffé en raison de trop nombreuses utilisations successives.	Laissez l'appareil refroidir.
La lame ne tourne pas.	L'appareil est défectueux.	Vous devez faire appel à un technicien qualifié. Contactez le service client.
L'appareil fait beaucoup de bruit.	La lame est défectueuse ou mal positionnée.	Vérifiez la lame et remplacez-la si nécessaire.
L'appareil ne hache pas ou ne mixe pas correctement.	La lame est émoussée.	Vérifiez la lame et remplacez-la si nécessaire.
	Ingrédients collés.	Vérifiez le contenu du bol et réduisez la quantité d'ingrédients.
	Les ingrédients sont trop épais ou trop secs.	Ajoutez de l'eau ou de l'huile aux ingrédients.

7. MISE HORS SERVICE

1. Retirez la fiche de la prise.
2. Nettoyez l'appareil. Suivez les instructions du chapitre 5. Nettoyage et entretien.
3. Rangez l'appareil dans son emballage d'origine, dans un endroit sec et fermé.

8. MISE AU REBUT

8.1 Éliminer l'emballage

L'emballage est composé de différents matériaux. Lors de l'élimination de l'emballage, veuillez à respecter la réglementation nationale et locale relative à l'élimination respectueuse de l'environnement des emballages.

8.2 Éliminer l'appareil



Les matériaux utilisés dans cet appareil et marqués de ce symbole sont recyclables. La marque indique que ce produit ne doit pas être éliminé avec les déchets ménagers dans l'ensemble de l'UE.



Ce symbole indique que l'appareil ne doit pas être jeté avec les autres déchets ménagers au sein de l'UE. En éliminant l'appareil correctement, vous contribuerez à prévenir les risques pour l'environnement et la santé humaine. Le recyclage des matériaux contribue à la préservation des ressources naturelles. Par conséquent, ne jetez pas les appareils électroniques mis au rebut avec les déchets ménagers. Lors de la mise au rebut de l'appareil, respectez les réglementations nationales et locales concernant la mise au rebut écologique des équipements électroniques. Vous pouvez également contacter Wisepick Productions B.V. lorsque vous ne souhaitez plus utiliser l'appareil ou vous pouvez retourner l'appareil dans un magasin Coolblue B.V. de votre choix.

COORDONNÉES PIERRE

Wisepick Productions B.V.
Weena 664
3012 CN Rotterdam
Pays-Bas

BENUTZERINFORMATION

VORWORT	43
----------------	----

1. SICHERHEIT	45
----------------------	----

1.1 Sicherheitshinweise und -vorschriften	45
---	----

1.2 Bestimmungsgemäße Verwendung und vorhersehbare nicht-bestimmungsgemäße Verwendung	47
---	----

2 PRODUKTEIGENSCHAFTEN	48
-------------------------------	----

2.1 Technische Daten	48
----------------------	----

2.2 Hauptteile und Standardaufsätze	48
-------------------------------------	----

2.3 Garantie	49
--------------	----

3. INSTALLATION	49
------------------------	----

3.1 Anforderungen an den Aufstellungsort	49
--	----

3.2 Verpackung entfernen und kontrollieren	49
--	----

3.3 Reinigung vor dem ersten Gebrauch	49
---------------------------------------	----

3.4 Das Gerät montieren	50
-------------------------	----

4. VERWENDUNG	51
----------------------	----

4.1 Das Gerät bedienen	51
------------------------	----

4.2 Nach dem Gebrauch	51
-----------------------	----

5. REINIGUNG UND WARTUNG	52
---------------------------------	----

5.1 Das Gerät reinigen	52
------------------------	----

6. BEHEBEN VON STÖRUNGEN	53
---------------------------------	----

6.1 Störungen beheben	53
-----------------------	----

7. AUSSERBETRIEBNAHME	53
------------------------------	----

8. ENTSORGUNG	54
----------------------	----

8.1 Verpackungsmaterial entsorgen	54
-----------------------------------	----

8.2 Das Gerät entsorgen	54
-------------------------	----

VORWORT






ÜBER DIESES DOKUMENT

- Pierre kann in keiner Weise für immaterielle Schäden an Ihnen oder anderen oder Sachschäden am Gerät, an Ihrem Eigentum oder am Eigentum anderer haftbar gemacht werden, die durch die Nichtbefolgung oder inkorrekte Befolgung der Anweisungen in dieser Anleitung entstanden sind.
- In den Warnhinweisen und Sicherheitsvorschriften in dieser Anleitung werden nicht alle möglichen Umstände und Situationen besprochen.
- Wenn Sie sich an unseren Kundendienst wenden, sollten Sie die Modellnummer zur Hand haben. Diese finden Sie auf dem Typenschild oder auf der Vorderseite dieser Anleitung.

URSPRÜNGLICHE ANWEISUNGEN

Diese Gebrauchsanleitung wurde ursprünglich auf Niederländisch verfasst. Alle anderen Sprachen sind übersetzte Dokumente. Bei Übersetzungsfehlern ist die niederländische Version maßgeblich.

VERWENDETE SYMBOLE

SYMBOL	BESCHREIBUNG
 GEFAHR!	Weist auf Brandgefahr und/oder entzündliche Materialien hin.
 WARNUNG!	Zeigt eine gefährliche Situation an, die Ihnen oder anderen Personen schwere immaterielle Schäden zufügen kann, wenn sie nicht vermieden wird.
 VORSICHT!	Zeigt eine gefährliche Situation an, die Ihnen oder anderen Personen leichte immaterielle Schäden zufügen kann, wenn sie nicht vermieden wird.
 ACHTUNG!	Zeigt eine Situation an, die mit Sachschäden einhergehen kann.
 ANMERKUNG	Weist auf nützliche ergänzende Informationen hin.

ANMERKUNG

Die neueste Version dieses Handbuchs finden Sie auch online unter www.coolblue.de, wenn Sie nach der Artikelnummer suchen.

URHEBERRECHT

Die in dieser Gebrauchsanleitung abgebildeten Daten, darunter Texte, Fotos, Grafiken, Bildmarken, (Handels-)Namen und Logos, sind Eigentum der Wisepick Productions B.V. und unterliegen dem Urheberrecht, dem Markenrecht und/oder anderen geistigen Eigentumsrechten, es sei denn, diese Daten gehören einem Dritten. Ohne vorherige schriftliche Zustimmung von Wisepick Productions B.V. und/oder des Dritten, dem die Daten gehören, ist es nicht gestattet, den Inhalt der Gebrauchsanleitung ganz oder teilweise zu vervielfältigen, zu übertragen, zu verbreiten, zu speichern oder Dritten gegen Entgelt verfügbar zu machen.

KONTAKTDATEN

Pierre ist eine eingetragene Marke von Wisepick Productions B.V.

Den Kundendienst erreichen Sie unter: <https://www.coolblue.de/kundendienst>

WISEPICK PRODUCTIONS B.V.

Weena 664

3012 CN Rotterdam

Niederlande

1. SICHERHEIT

Stellen Sie sicher, dass Sie die Sicherheitsanweisungen vollständig gelesen und verstanden haben, bevor Sie das Gerät installieren, verwenden oder warten. So vermeiden Sie mögliche materielle und immaterielle Schäden bei Ihnen selbst oder anderen, am Gerät, an Ihrem sonstigen Eigentum oder am Eigentum anderer.

1.1 Sicherheitshinweise und -vorschriften

WARNUNG!

- Seien Sie immer aufmerksam und vorsichtig. Verwenden Sie keine elektrischen Geräte, wenn Sie unter Konzentrationsstörungen leiden, Ihnen das nötige Bewusstsein fehlt oder Sie unter dem Einfluss von Drogen, Alkohol oder Medikamenten stehen. Bei der Verwendung von Elektrogeräten kann schon die geringste Unachtsamkeit zu schweren Unfällen und Verletzungen führen.
- Achten Sie darauf, dass Sie die Anweisungen in dieser Anleitung vollständig gelesen und verstanden haben, bevor Sie das Gerät installieren oder verwenden. Bewahren Sie dieses Dokument für künftige Nachschlagezwecke auf, solange Sie das Gerät verwenden und/oder besitzen.
- Dieses Gerät ist nicht bestimmt für die Verwendung durch Personen (einschließlich Kindern) mit verminderten physischen, sensorischen oder geistigen Fähigkeiten oder mit einem Mangel an Erfahrung oder Kenntnis, es sei denn, sie stehen unter Aufsicht oder haben von einer für ihre Sicherheit verantwortlichen Person Anweisungen für den Gebrauch des Geräts erhalten.
- Verwenden Sie das Gerät nur wie in dieser Anleitung beschrieben.
- Ziehen Sie nie am Netzkabel, um den Stecker aus der Steckdose zu ziehen. Nehmen Sie den Stecker immer fest in die Hand und ziehen Sie ihn gerade aus der Steckdose.
- Lassen Sie Kinder nicht mit dem Gerät und dessen Teilen spielen. Das Gerät und seine Teile sind kein Spielzeug.
- **ERSTICKUNGSGEFAHR.** Lassen Sie Kinder nie mit dem Verpackungsmaterial spielen. Das Verpackungsmaterial für Kinder unzugänglich aufbewahren.
- Reinigungs- und Wartungsarbeiten dürfen nicht von unbeaufsichtigten Kindern durchgeführt werden.

- Stellen Sie das Gerät auf eine flache, stabile, hitze- und feuchtigkeitsbeständige Oberfläche.
- Kontrollieren Sie vor dem Gebrauch, ob die Spannung auf dem Typenschild mit der Spannung der Steckdose übereinstimmt.
- Setzen Sie das Gerät nicht Hitze, direktem Sonnenlicht oder Feuchtigkeit aus.
- Verlegen Sie das Netzkabel nicht in der Nähe von Hitze, Öl, scharfen Kanten und beweglichen Teilen.
- Ziehen Sie den Netzstecker, wenn das Gerät nass oder feucht ist.
- Bedienen Sie das Gerät nicht mit nassen Händen.
- Verwenden Sie das Gerät nicht ohne Zutaten.
- Verwenden Sie das Gerät nicht zum Mixen von heißen oder warmen Zutaten und Lebensmitteln.
- Verwenden Sie das Gerät nicht zum Mixen von harten oder trockenen Zutaten oder Lebensmitteln.
- Stecken Sie den Stecker erst nach dem Zusammenbau des Geräts ein.
- Wickeln Sie das Stromkabel nie um das Gerät. Wickeln Sie das Stromkabel vor Gebrauch vollständig ab.
- Verwenden Sie ausschließlich das Netzkabel, das werkseitig am Gerät montiert ist. Ändern Sie das Netzkabel nicht.
- Verwenden Sie kein Verlängerungskabel mit diesem Gerät.
- Verwenden Sie das Gerät nicht, wenn ein Teil davon beschädigt oder defekt ist. Ein beschädigtes oder defektes Gerät ist sofort zu ersetzen. Ziehen Sie den Netzstecker und wenden Sie sich an den Kundendienst oder entsorgen Sie das Gerät auf umweltfreundliche Weise.
- Reinigen Sie das Gerät nie mit aggressiven oder scheuernden Reinigungsmitteln oder scharfen Gegenständen.
- Reinigung und Pflege durch den Benutzer dürfen nicht unbeaufsichtigt von Kindern ausgeführt werden.
- Stellen Sie das Gerät nie in einen Geschirrspüler.
- Führen Sie keine Reparaturen am Gerät durch, die nicht in dieser Anleitung beschrieben sind. Das Gerät darf nur von einem autorisierten Servicetechniker repariert werden.
- Stecken Sie keine Gegenstände oder Ihre Hände in das Gerät, wenn es in Gebrauch ist.
- Lassen Sie das Gerät nie unbeaufsichtigt, wenn es in Betrieb ist. Schalten Sie das Gerät aus und ziehen Sie den Netzstecker, bevor Sie die den Raum verlassen.

- Stellen Sie das Gerät nicht um, wenn es eingeschaltet oder noch heiß ist.
- Tauchen Sie das Gerät nie in Wasser oder andere Flüssigkeiten ein.
- Ziehen Sie immer den Stecker aus der Steckdose, bevor Sie das Gerät reinigen.
- Vergewissern Sie sich vor der Verwendung, dass der Deckel richtig aufgesetzt ist.
- Gehen Sie vorsichtig mit dem scharfen Messer um.
- **STOLPERGEFAHR DURCH LOSE KABEL.** Lassen Sie das Netzkabel nie so hängen, dass jemand darüber stolpern oder versehentlich daran ziehen kann.

1.2 Bestimmungsgemäße Verwendung und vorhersehbare nicht-bestimmungsgemäße Verwendung

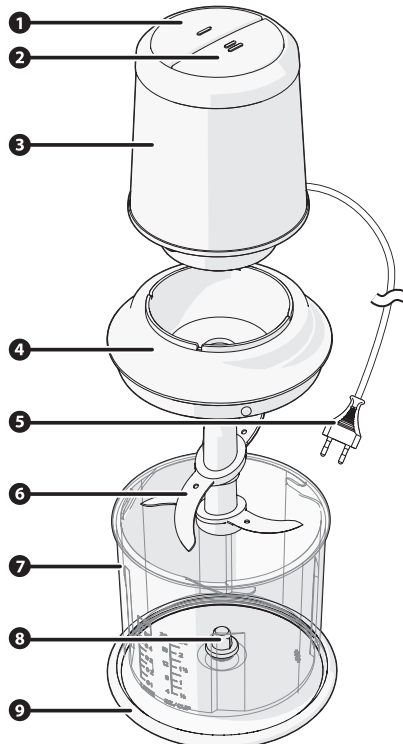
- Dieses Gerät ist für das Zerkleinern und Mischen von Zutaten und Lebensmitteln bestimmt.
- Dieses Gerät ist ausschließlich für die Verwendung im Haus gedacht.
- Dieses Gerät ist für den Hausgebrauch bestimmt.
- Dieses Gerät ist nicht für den kommerziellen Gebrauch bestimmt.
- Dieses Gerät ist nicht für das Zerkleinern und Mischen von heißen, harten oder trockenen Zutaten und Lebensmitteln bestimmt.
- Dieses Gerät ist nicht bestimmt für die Verwendung durch Personen (einschließlich Kindern) mit verminderten physischen, sensorischen oder geistigen Fähigkeiten oder mit einem Mangel an Erfahrung oder Kenntnis, es sei denn, sie stehen unter Aufsicht oder haben von einer für ihre Sicherheit verantwortlichen Person Anweisungen für den Gebrauch des Geräts erhalten.
- Dieses Gerät darf nicht von Kindern unter 8 Jahren verwendet werden.
- Jede andere als die in dieser Anleitung beschriebene Verwendung des Geräts gilt als nicht bestimmungsgemäße Verwendung und kann zu Sachschäden und immateriellen Schäden bei Ihnen selbst oder anderen, am Gerät, an Ihrem sonstigen Eigentum oder am Eigentum anderer sowie zum Erlöschen der Garantie führen.

2 PRODUKTEIGENSCHAFTEN

2.1 Technische Daten

Typ Zerkleinerer	PFC5000
Abmessungen (L x B x H)	13,7 x 13,7 x 25,1 cm
Leistung	400 W
Nennspannung	220 – 240 V, 50 Hz / 60 Hz
Stromverbrauch	0 W
Inhalt des Messbechers	600 ml
Kabellänge	< 1 m
Maximale Betriebsdauer (mit Zutaten)	1 Minute
Minimaler Füllstand	Füllen Sie den Messbecher mindestens bis zur Oberkante des unteren Messers

2.2 Hauptteile und Standardaufsätze



- 1. Geschwindigkeitstaste 1
- 2. Geschwindigkeitstaste 2
- 3. Motoreinheit
- 4. Deckel
- 5. Stecker
- 6. Messer
- 7. Messbecher
- 8. Befestigungsachse
- 9. Gummiring

2.3 Garantie

Auf dieses Gerät wird Garantie von drei Jahren ab dem Kaufdatum gewährt. Weitere Informationen zu den Garantiebedingungen finden Sie auf www.coolblue.de/kundendienst. In jedem Fall müssen Sie über den Kaufbeleg mit Kauf- und/oder Lieferdatum verfügen, um die Garantie in Anspruch nehmen zu können.

3. INSTALLATION

Lesen Sie die Sicherheitsinformationen in Kapitel 1 genau durch, bevor Sie das Gerät installieren.

3.1 Anforderungen an den Aufstellungsort

Stellen Sie das Gerät an einer Stelle auf, die den folgenden Bedingungen genügt:

- Eine flache, stabile, hitze- und feuchtigkeitsbeständige Oberfläche.
- Kein direktes Sonnenlicht.
- Nicht direkt neben Wärmequellen wie Öfen oder Herden.

3.2 Verpackung entfernen und kontrollieren

Überprüfen Sie, ob alle Teile vorhanden sind und ob weder das Gerät noch die Aufsätze Beschädigungen aufweisen.

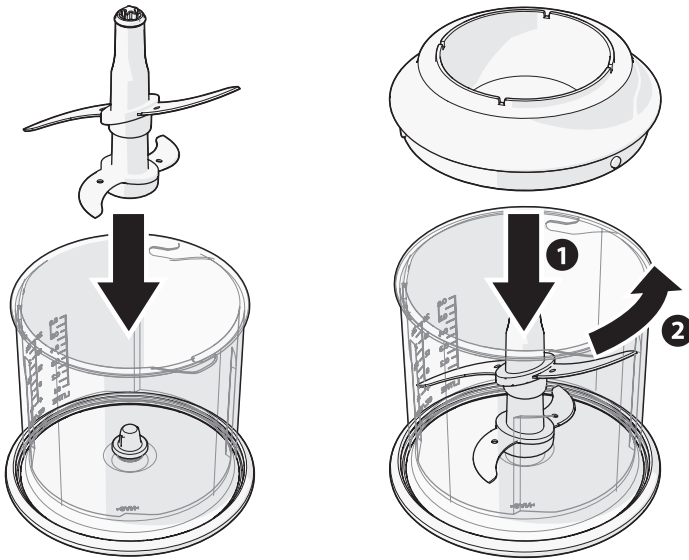
Sollten Teile fehlen oder beschädigt sein, kontaktieren Sie bitte Coolblue: www.coolblue.de/kundendienst

3.3 Reinigung vor dem ersten Gebrauch

1. Reinigen Sie die folgenden Teile mit warmem Wasser und Geschirrspülmittel:
 - Messbecher
 - Deckel
 - Messer
2. Reinigen Sie die Außenseite des Geräts mit einem weichen, feuchten Tuch.
3. Trocknen Sie alle Teile mit einem weichen Tuch ab.

3.4 Das Gerät montieren

DE



WARNUNG!

Gehen Sie vorsichtig mit dem Messer um. Das Messer ist sehr scharf.

1. Stecken Sie das Messer auf die Befestigungsachse im Messbecher.
2. Füllen Sie den Messbecher mit den gewünschten Zutaten.

WARNUNG!

Füllen Sie den Messbecher nie mit mehr als 400 ml flüssigen Zutaten.

3. Setzen Sie den Deckel auf den Messbecher und drehen Sie ihn gegen den Uhrzeigersinn, bis er einrastet.
4. Setzen Sie die Motoreinheit auf den Deckel.

4. VERWENDUNG

Lesen Sie die Sicherheitsinformationen in Kapitel 1 aufmerksam durch, bevor Sie das Gerät in Gebrauch nehmen.

WARNUNG!

GEFAHR DURCH BEWEGLICHE TEILE

- Stecken Sie weder Gegenstände noch Ihre Hände in das Messer, während das Gerät in Betrieb ist.
- Stecken Sie keine Gegenstände in den Messbecher, während das Gerät in Betrieb ist.
- Verwenden Sie das Gerät nicht zum Mixen von heißen oder warmen Zutaten und Lebensmitteln.
- Verwenden Sie das Gerät nicht zum Mixen von harten oder trockenen Zutaten oder Lebensmitteln.
- Das Messer kann sich kurz nach dem Anhalten noch weiterbewegen. Lassen Sie den Messbecher stehen, bis das Messer vollständig zum Stillstand gekommen ist.

ACHTUNG!

- Die maximale Betriebsdauer für den Zerkleinerer beträgt 60 Sekunden. Lassen Sie das Gerät dann 10 Minuten lang abkühlen.
 - i. Verwenden Sie kurze Impulse in 10-Sekunden-Intervallen, um die maximale Arbeitszeit zu verlängern.
- Verwenden Sie das Gerät nicht ohne Zutaten oder Lebensmittel im Messbecher.
- Verwenden Sie das Gerät nur gemäß den in dieser Anleitung angegebenen Verwendungsrichtlinien.
- Das Gerät kann beim ersten Gebrauch einen verbrannten Geruch abgeben. Das ist normal. Der Geruch verschwindet nach einiger Zeit.

4.1 Das Gerät bedienen

1. Stecken Sie den Stecker in eine Steckdose.
2. Halten Sie die gewünschte Geschwindigkeitstaste gedrückt, während Sie die Motoreinheit festhalten.
 - i. Das Gerät verfügt über zwei Geschwindigkeitsstufen. Halten Sie die Geschwindigkeitstaste 1 für niedrige Geschwindigkeit gedrückt. Halten Sie die Geschwindigkeitstaste 2 für hohe Geschwindigkeit gedrückt.

4.2 Nach dem Gebrauch

WARNUNG!

Das Messer kann sich kurz nach dem Anhalten noch weiterbewegen. Lassen Sie den Messbecher stehen, bis das Messer vollständig zum Stillstand gekommen ist. Gehen Sie vorsichtig mit dem Messer um. Das Messer ist sehr scharf.

1. Ziehen Sie den Stecker aus der Steckdose.
2. Nehmen Sie die Motoreinheit vom Deckel ab.
3. Drehen Sie den Deckel im Uhrzeigersinn, um ihn vom Messbecher zu entfernen.
4. Entfernen Sie das Messer von der Befestigungsachse.

5. REINIGUNG UND WARTUNG

Lesen Sie die Sicherheitsinformationen in Kapitel 1 aufmerksam durch, bevor Sie das Gerät warten und reinigen.

5.1 Das Gerät reinigen



WARNUNG!

STROMSCHLAGGEFAHR DURCH KURZSCHLUSS. Tauchen Sie das Gerät nie in Wasser oder andere Flüssigkeiten ein.

STROMSCHLAGGEFAHR DURCH KURZSCHLUSS. Ziehen Sie immer den Stecker aus der Steckdose, bevor Sie das Gerät reinigen.



VORSICHT!

Lassen Sie das Gerät immer vollständig zum Stillstand kommen, bevor Sie es warten oder reinigen.



ACHTUNG!

Reinigen Sie das Gerät nie mit aggressiven oder scheuernden Reinigungsmitteln oder scharfen Gegenständen.

Stellen Sie das Gerät nie in einen Geschirrspüler. Der Messbecher, das Messer und der Deckel dürfen in die obere Schublade der Spülmaschine.

1. Reinigen Sie die folgenden Teile mit warmem Wasser und Geschirrspülmittel:
 - Messbecher
 - Messer
 - Deckel
2. Reinigen Sie die Außenseite des Geräts mit einem weichen, feuchten Tuch.
3. Trocknen Sie alle Teile mit einem weichen Tuch ab.
 - i. Stellen Sie sicher, dass alle Teile trocken sind, bevor Sie sie wieder verwenden.

6. BEHEBEN VON STÖRUNGEN

Einige Probleme können Sie einfach anhand der untenstehenden Tabelle selbst beheben. Falls die nachfolgenden Beschreibungen Ihr Problem nicht lösen, wenden Sie sich bitte an unseren Kundendienst: www.coolblue.de/kundendienst

6.1 Störungen beheben

PROBLEM	MÖGLICHE URSACHE	MÖGLICHE LÖSUNG
Das Gerät kann nicht eingeschaltet werden.	Der Netzstecker ist nicht richtig eingesteckt.	Stecken Sie den Netzstecker ordentlich in die Steckdose.
	Das Stromkabel ist defekt.	Zur Lösung des Problems wird ein zugelassener Servicetechniker benötigt. Bitte kontaktieren Sie unseren Kundendienst.
Das Gerät schaltet sich aus.	Das Gerät ist durch zu häufigen Gebrauch in Folge überhitzt.	Lassen Sie das Gerät abkühlen.
Das Messer dreht sich nicht.	Das Gerät ist defekt.	Zur Lösung des Problems wird ein zugelassener Servicetechniker benötigt. Bitte kontaktieren Sie unseren Kundendienst.
Das Gerät macht mehr Geräusche als sonst.	Das Messer ist defekt oder falsch positioniert.	Überprüfen Sie das Messer und tauschen Sie es gegebenenfalls aus.
Das Gerät zerkleinert oder mischt nicht richtig.	Das Messer ist stumpf.	Überprüfen Sie das Messer und tauschen Sie es gegebenenfalls aus.
	Zutaten stecken fest.	Überprüfen Sie den Inhalt der Schüssel und reduzieren Sie die Menge der Zutaten.
	Die Zutaten sind zu dick oder zu trocken.	Wasser oder Öl zu den Zutaten geben.

7. AUSSERBETRIEBNAHME

1. Ziehen Sie den Stecker aus der Steckdose.
2. Reinigen Sie das Gerät. Befolgen Sie die Anweisungen in Kapitel 5. Reinigung und Wartung.
3. Bewahren Sie das Gerät in der Originalverpackung in einem trockenen und geschlossenen Raum auf.

8. ENTSORGUNG

8.1 Verpackungsmaterial entsorgen

Das Verpackungsmaterial besteht aus verschiedenen Materialien. Befolgen Sie bei der Entsorgung des Verpackungsmaterials die nationalen und lokalen Vorschriften bezüglich der umweltfreundlichen Entsorgung von Verpackungsmaterial.

8.2 Das Gerät entsorgen

DE



Die in diesem Gerät verwendeten Materialien, die mit diesem Symbol gekennzeichnet sind, sind recycelbar. Das Zeichen weist darauf hin, dass dieses Produkt in der gesamten EU nicht über den Hausmüll entsorgt werden darf.



Dieses Symbol zeigt an, dass das Gerät innerhalb der EU nicht mit anderen Haushaltsabfällen entsorgt werden darf. Indem Sie das Gerät sachgerecht entsorgen, tragen Sie dazu bei, mögliche Gefahren für die Umwelt und die menschliche Gesundheit zu vermeiden. Das Recycling von Materialien trägt zur Erhaltung der natürlichen Ressourcen bei. Entsorgen Sie ausrangierte elektronische Geräte daher nicht mit dem Hausmüll. Befolgen Sie bei der Entsorgung des Geräts die nationalen und lokalen Vorschriften bezüglich der umweltfreundlichen Entsorgung von Elektrogeräten. Sie können auch Kontakt mit Wisepick Productions B.V. aufnehmen, wenn Sie das Gerät nicht mehr verwenden möchten, oder Sie können das Gerät in einer Coolblue-Filiale Ihrer Wahl abgeben.

KONTAKTINFORMATIONEN PIERRE

Wisepick Productions B.V.
Weena 664
3012 CN Rotterdam
Niederlande

PIERRE

**Pierre is a registered trademark of Wisepick Productions B.V.
Weena 664
3012CN, Rotterdam
The Netherlands**

**www.coolblue.nl/klantenservice / www.coolblue.be/nl/klantenservice
www.coolblue.be/fr/service-client / www.coolblue.de/kundendienst**