

PIERRE

EN - User manual

Ice Cream Maker

PICM7000

NL - Gebruikshandleiding 20
IJsmachine

FR - Notice d'utilisation 37
Sorbetière

DE - Benutzerinformation 54
Eismaschine

USER MANUAL






FOREWORD	4
1. SAFETY	6
1.1 Safety warnings and instructions	6
1.2 Intended use and anticipated unintended use	8
2. PRODUCT FEATURES	9
2.1 Technical data	9
2.2 Main components and standard attachments	9
2.3 Control panel	10
2.4 Warranty	10
3. INSTALLATION	11
3.1 Requirements on the location of installation	11
3.2 Unpacking the appliance	11
3.3 Preparing the appliance for use	11
3.3.1 Setting the appliance to the highest position	11
3.3.2 Remove stirrer and jug	12
3.3.3 Stirrer and jug pre-rinse	13
3.3.4 Fit the stirrer	13
3.3.5 Freezing ingredients	13
3.3.6 Place jug	14
4. USE	15
4.1 Overview of the programmes	15
4.2 Making ice cream	15
4.3 Re-spin function	16
4.4 Turning off the appliance	16
5. CLEANING AND MAINTENANCE	17
5.1 Cleaning the appliance	17
6. FAULTS AND SOLUTIONS	18
6.1 Troubleshooting	18
7. TRANSPORT AND STORAGE	19
8. DISPOSAL	19
8.1 Disposing of packaging material	19
8.2 Disposal of the appliance	19

FOREWORD

ABOUT THIS DOCUMENT

- This manual contains all the information required for the correct, efficient and safe use of the device.
- This manual is intended for the end user and/or buyer of this device.
- Make sure you have read and understood the instructions in this manual completely before installing or using the device. Keep this document for future reference for as long as you use and/or own the device.
- Wisepick Productions B.V. cannot in any way be held liable for immaterial damage to you or to others, or material damage to the device, your property or property of others caused by not following or not correctly following the instructions in this manual.
- The warnings and safety instructions in this manual do not cover all possible circumstances and situations.
- If you contact our customer service, make sure you have the model number at hand. That information can be found on the type plate or on the front of this manual.

SYMBOLS USED

SYMBOL	DESCRIPTION
 DANGER!	Indicates a fire hazard and/or flammable materials.
 WARNING!	Indicates a dangerous situation which, if not avoided, can result in serious immaterial damage to you or others.
 CAUTION!	Indicates a dangerous situation which, if not avoided, can result in slight immaterial damage to you or others.
 ATTENTION!	Indicates a situation related to material damage.
 NOTE	Indicates useful additional information.

NOTE

You can also find the latest version of this manual online on www.coolblue.nl/en if you search by the article number.

COPYRIGHT

The data depicted in this manual, including texts, photographs, graphic drawings, trademarks, (trade) names and logos, are the property of Wisepick Productions B.V. and are protected by copyright, trademark law and/or any other intellectual property right, unless these data belong to a third party. You are never allowed to reproduce, transfer, distribute, store or make the contents of the manual available to third parties, in whole or in part, without the prior written consent of Wisepick Productions B.V. and/or the third party to whom the data belong.

CONTACT DETAILS

Pierre is a registered brand of Wisepick Productions B.V.

Customer service can be reached at: www.coolblue.nl/en/customer-service

WISEPICK PRODUCTIONS B.V.

Weena 664

3012 CN Rotterdam

The Netherlands

1. SAFETY

Make sure you have read and understood the safety instructions fully before installing, using or maintaining the device. In this way you avoid possible material damage and immaterial damage to you or to others, the appliance, your other property or other people's property.

1.1 Safety warnings and instructions

WARNING!

- This appliance is not intended for use by persons (including children) with limited physical, sensory or mental capabilities or lack of experience and knowledge, unless they have been given supervision or instructions concerning use of the appliance by a person responsible for their safety.
- Do not allow children to play with the appliance or its components. The appliance and components are not toys.
- Cleaning and user maintenance may not be carried out by children without supervision.
- Only use the product as described in this manual.
- Do not use the device if any of its components are damaged or faulty. Replace a damaged or faulty device immediately. Remove the plug from the earthed socket and contact customer service.

Suffocation hazard due to oxygen deficiency:

- Never let children play with the packaging material. Keep the packaging material out of reach of children.

Electrocution hazard due to short circuit:

- Never immerse the device in water or other liquids.
- Always remove the plug from the socket before cleaning the device.
- Do not make any adjustments to the appliance. Do not open or repair the appliance yourself. The appliance may only be repaired by an authorised service technician.

**DANGER!**

Fire hazard due to short circuit:

- Before using the device, check that the voltage on the type plate matches the voltage of the socket. Only connect the device to an earthed socket.
- Keep the power cable away from heat, oil, sharp edges or moving parts.
- Do not use this appliance with an extension lead or power strip.
- Make sure that the power cable is not trapped under the appliance.
- Do not twist or kink the power cable or roll the cable up. This can damage the cable's insulation.

Fire hazard due to overheating:

- Never leave the appliance unattended while in use. Turn off the appliance and remove the plug from the earthed socket when you leave the room.
- Never use a timer or a separate remote control that automatically turns the appliance on.
- If the appliance overheats during operation, it stops automatically. Wait for the appliance to finish resetting.
- Do not store explosive or highly flammable substances such as aerosols with a flammable propellant in the appliance.

**CAUTION!**

Risk of cuts from the sharp cutting edges of the blade:

- Always place the appliance on a flat and stable surface.
- The cutting edges of the blade are extremely sharp. Handle the blade carefully. Always keep the blade out of the reach of children.
- Always unplug the power cable before inserting or removing the blade.
- Keep hands, hair and clothes away from the jug when the appliance is switched on.
- Never remove the lid when the blade is still rotating.

Risk of food poisoning:

- Before use, clean all food-contact parts with water and a mild detergent. Rinse thoroughly and dry carefully.

! ATTENTION!

Risk of damage to the appliance:

- Never drop the appliance and avoid bumping it. Excessive vibrations can lead to loose connections and affect the proper functioning of the appliance. Do not use the appliance any more if it has been dropped.
- Only use the accessories supplied with the product.
- Do not use the appliance with an empty jug.
- This appliance is used for processing small quantities. Do not exceed the amount specified in the user manual.
- Do not use the appliance to blend ingredients that contain gluten.
- Never run more than six programmes in a row. Let the appliance cool down for at least 10 minutes after running six programmes.
- Never pull the power cable to disconnect the plug from the socket. Always hold the plug firmly and pull it straight out of the socket.
- Never clean the appliance with aggressive chemical cleaners that may damage the appliance.

1.2 Intended use and anticipated unintended use

- This appliance is intended for preparing different types of ice cream.
- This device is only intended for use indoors.
- This appliance is intended for domestic use.
- This appliance is not intended for use by persons (including children) with limited physical, sensory or mental capabilities or lack of experience and knowledge, unless they have been given supervision or instructions concerning use of the appliance by a person responsible for their safety.
- This device may not be used by children under 8 years of age.
- Any use of the device other than as described in this manual is considered to be unintended use and can result in material and immaterial damage to you or to others, the device, your other property or other people's property and the expiry of the warranty.

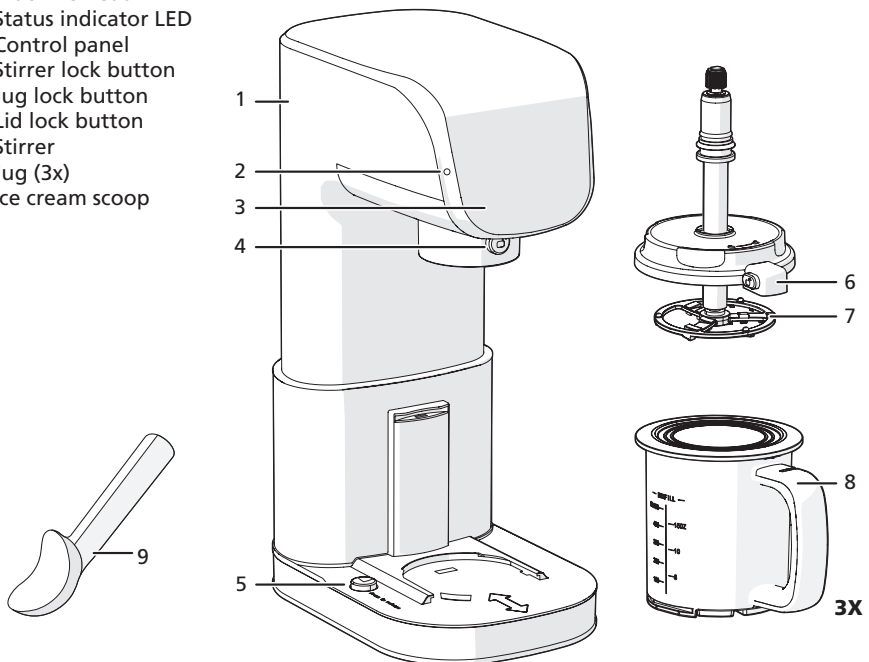
2. PRODUCT FEATURES

2.1 Technical data

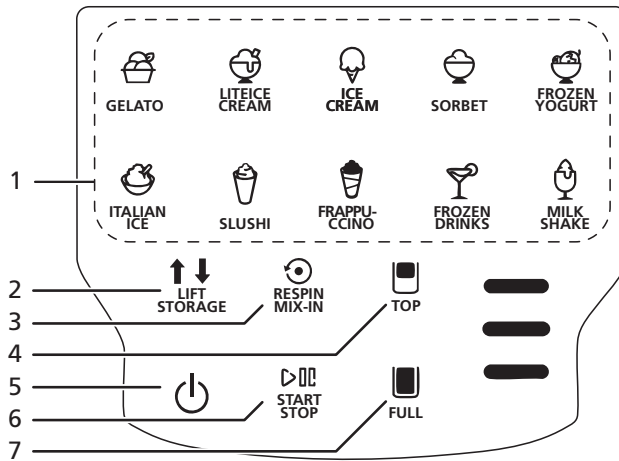
Type of ice cream maker	PICM7000
Dimensions (l x w x h)	
In use	185 x 314 x 446 mm
In storage	185 x 314 x 337 mm
Power supply	220 - 240 V ~, 50 - 60 Hz
Maximum electrical power	500 W
Power consumption in off mode	0.28 W
Maximum duration of continuous use	Six programmes
Maximum content of jug	568 ml

2.2 Main components and standard attachments

1. Machine head
2. Status indicator LED
3. Control panel
4. Stirrer lock button
5. Jug lock button
6. Lid lock button
7. Stirrer
8. Jug (3x)
9. Ice cream scoop



2.3 Control panel



1. Programme buttons
2. Up/Down button
3. Re-spin button
4. Half jug button
5. On/Off button
6. Start/Pause button
7. Full jug button

2.4 Warranty

This device comes with a warranty period of three years after purchase. For more information about the warranty conditions, please visit www.coolblue.nl/en/customer-service. In order to be able to make a claim against the warranty, you must have the proof of purchase that states the purchase and/or delivery date.

3. INSTALLATION

Before installing the device, carefully review the safety information in section 1.

3.1 Requirements on the location of installation

Place the appliance in a location that satisfies the following conditions:

- A flat, stable, heat-resistant and moisture-resistant surface.
- Not in direct sunlight.
- Not directly next to heat sources, such as heaters or stoves.

3.2 Unpacking the appliance



WARNING!

RISK OF SUFFOCATION. Never let children play with the packaging material. Keep the packaging material out of reach of children.

Check that all parts are present and that the appliance and accessories are not damaged. If parts are missing or damaged, please contact Coolblue: www.coolblue.nl/en/customer-service

3.3 Preparing the appliance for use



ATTENTION!

Before first use:

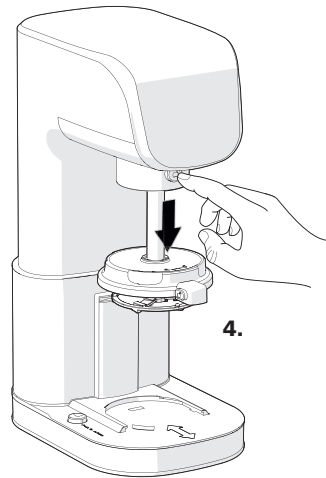
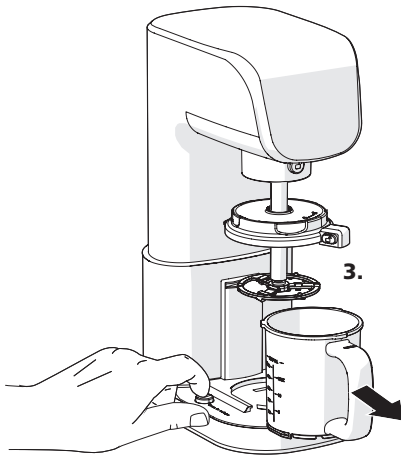
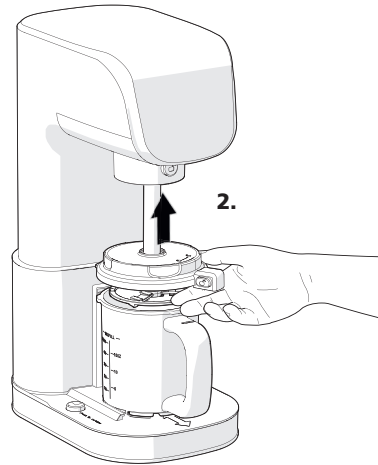
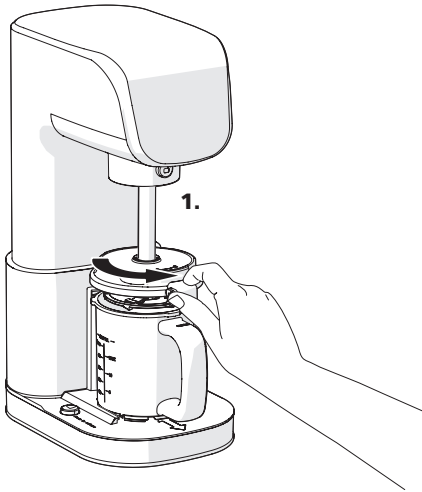
- Clean all the components of the ice cream maker before first use.

3.3.1 Setting the appliance to the highest position

1. Place the appliance on a flat and stable surface.
2. Insert the appliance's plug into the socket.
3. Turn the main switch to the 'On' position.
On the control panel, the On/Off button flashes. The flashing On/Off button indicates that the appliance is in standby mode.
4. Press the On/Off button.
5. Press the Up/Down button.
The machine head automatically moves to the highest position.

3.3.2 Remove stirrer and jug

1. Hold down the lid lock button and turn the lid to the right.
2. Slide the lid up.
3. Holding the jug lock button with one hand, grasp the handle of the jug with the other and pull it towards you.
4. Press the stirrer lock button and pull the stirrer down.

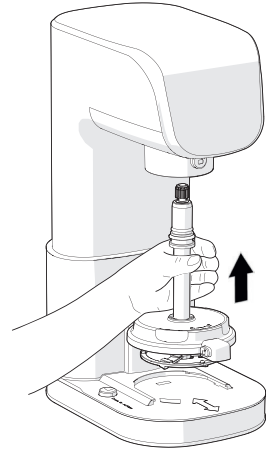


3.3.3 Stirrer and jug pre-rinse

1. Remove the jug and stirrer from the appliance, see section 3.3.2.
2. Clean the jug and stirrer with hot water and a mild detergent, or put the jug and stirrer in the dishwasher.

3.3.4 Fit the stirrer

1. Bring the appliance to the highest position, see section 3.3.1.
2. Align the stirrer with the opening under the machine head, and push the stirrer up until you hear a distinct click.

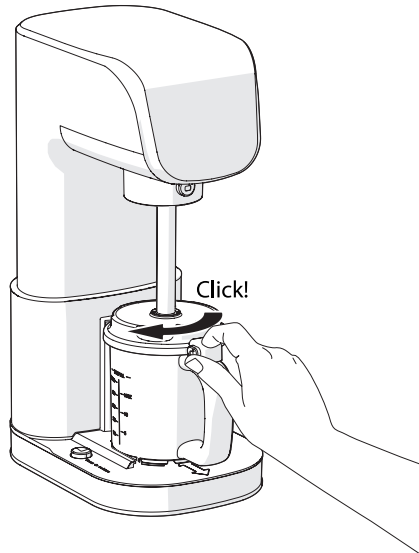
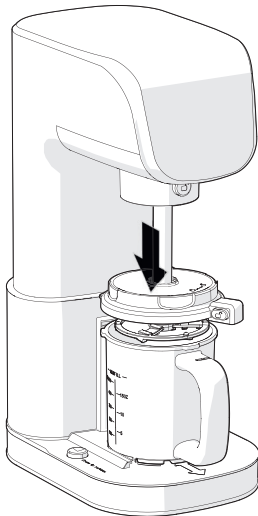
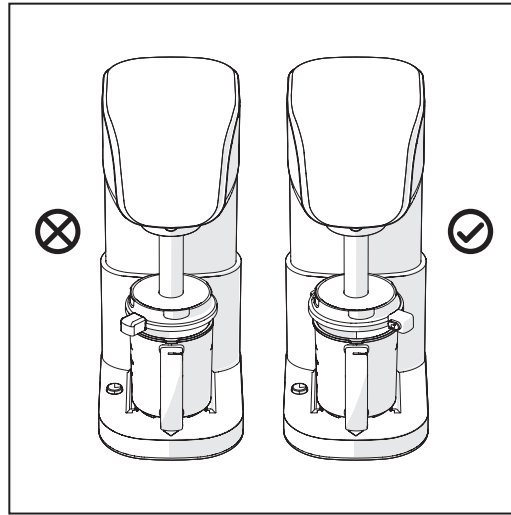
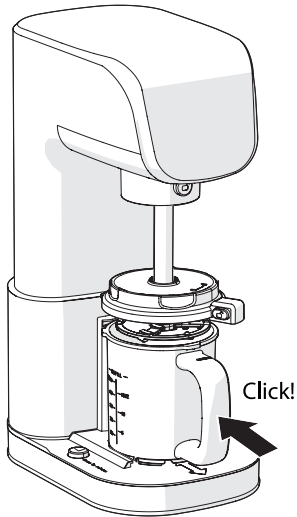


3.3.5 Freezing ingredients

1. Choose ingredients based on the recipe and your personal taste preferences.
2. Fill the jug with the chosen ingredients. Never fill above the MAX mark indicated in the jug.
3. Place the jug in the freezer.
Leave the jug in the freezer for at least 24 hours until the contents are completely frozen.

3.3.6 Place jug








1. Raise the machine head to the highest position, see section 3.3.1.
2. Fit the stirrer, see section 3.3.4.
3. Slide the jug straight into the openings of the jug holder until you hear a click.
4. Turn the lid to the right so that the latch is positioned on the right hand side of the jug handle.
5. Push the lid of the jug down until it fully connects to the jug.
6. Turn the lid to the left until you hear a click.



4. USE

Before using the appliance, carefully review the safety information from section 1.

4.1 Overview of the programmes

	GELATO	Italian ice cream with less air and a dense texture.
	LITE ICE CREAM	Ice cream with reduced fat and sugar content.
	ICE CREAM	Classic creamy ice cream with an airy texture.
	SORBET	Fruit-based and water-based dairy-free ice preparation with a soft texture.
	FROZEN YOGHURT	Yoghurt-based ice preparation with a fresh flavour.
	ITALIAN ICE	Fruit-based and water-based dairy-free ice preparation with a chunky texture.
	SLUSHI	Finely ground ice drink with syrup or juice.
	FRAPPU-CCINO	Creamy iced coffee based on ice cream and cream.
	FROZEN DRINKS	Finely ground ice drink with syrup, juice and alcohol.
	MILKSHAKE	Thick drink of ice cream and milk, possibly flavoured.

4.2 Making ice cream

1. Prepare the appliance for use according to section 3.3.
2. Press a programme button of your choice.
The selected programme icon flashes.
The full jug button flashes.

By default, the machine is set to make a full jug of ice cream. To make half a jug of ice cream:

3. Press the half jug button.
The half jug button flashes.

4. Press the start/pause button.
The selected programme lights up.
The machine head first moves downwards and then upwards.
5. To pause the programme, press the start/pause button.
6. Wait for the programme to finish.
The programme is finished when the blades stop rotating and all icons on the control panel light up.
7. Hold down the lid lock button and turn the lid to the right.
8. Grasp the lid with both hands and slide the lid upwards.
9. Holding the jug lock button with one hand, grasp the handle of the jug with the other and pull it towards you.

4.3 Re-spin function

Use the re-spin function after the programme to give your ice cream an even smoother texture or to add extra ingredients such as chocolate chips, nuts, or fruit.

1. Make ice cream of your choice, see section 4.2.
2. Place the jug in the appliance, see section 3.3.6. Add additional ingredients if necessary.
3. Press the re-spin button.
The re-spin button flashes.
4. Press the start/pause button.
The selected programme lights up.
The machine head first moves downwards and then upwards.
5. To pause the programme, press the start/pause button.
6. Wait for the programme to finish.
The programme is finished when the blades stop rotating and all icons on the control panel light up.
7. Grasp the lid with both hands and slide the lid upwards.
8. Holding the jug lock button with one hand, grasp the handle of the jug with the other and pull it towards you.

4.4 Turning off the appliance



WARNING!

Never leave the appliance unattended while in use. Turn off the appliance and remove the plug from the earthed socket when you leave the room.

To switch off the appliance:

- Turn the main switch to the 'Off' position.

5. CLEANING AND MAINTENANCE

Before cleaning and maintaining the appliance, carefully review the safety information from section 1.

5.1 Cleaning the appliance



WARNING!

Never immerse the device in water or other liquids.

Always remove the plug from the socket before cleaning the device.



CAUTION!

Always allow the appliance to cool completely and remove the plug from the earthed socket before maintenance or cleaning.



ATTENTION!

Never clean the device with aggressive or abrasive cleaners or sharp objects.

Clean the appliance thoroughly after each use.

1. Remove the jug and stirrer, see section 3.3.2.
2. Clean the jug and stirrer with hot water and washing-up liquid or put it in the dishwasher.
 - The jug and stirrer are dishwasher-safe.
3. Turn the main switch to the 'Off' position.
4. Remove the plug from the socket.
5. Clean the outside of the device with a soft, damp cloth.
6. Dry all components with a soft cloth.

6. FAULTS AND SOLUTIONS

You can solve some problems easily yourself using the table below. If the following descriptions do not solve your problem, please contact our customer service: www.coolblue.nl/en/customer-service

6.1 Troubleshooting

This appliance uses the control panel and a red status indicator LED to indicate malfunctions.

PROBLEM	POSSIBLE CAUSE	POSSIBLE SOLUTION
All buttons on the control panel flash.	The jug or lid is not locked properly.	Check that the jug, lid and stirrer are properly positioned.
Both the On/Off button and the Up/Down button flash. The machine head moves up and the display stops responding.	The motor overheated due to prolonged use.	<ol style="list-style-type: none"> 1. Switch off the ice cream maker. 2. Let the ice cream maker cool for at least 10 minutes.
The Up/Down button flashes and the machine head moves up automatically.	The motor overheated due to too many ingredients in the jug.	<ol style="list-style-type: none"> 1. Wait for the motor to reset automatically. 2. Reduce the amount of ingredients. 3. Never fill the jug above the MAX mark.
Status indicator LED flashes four times slowly	Too many ingredients in the jug.	<ol style="list-style-type: none"> 1. Wait for the appliance to reset. 2. Remove some of the ingredients. 3. Never fill above the MAX mark.
LED flashes twice slowly	The mains voltage is too high.	<ol style="list-style-type: none"> 1. Check that the voltage on the type plate matches the voltage of the socket. 2. Use a different socket if necessary.
LED flashes three times slowly	The mains voltage is too low.	
LED flashes twice rapidly	The system is performing a check.	<ol style="list-style-type: none"> 1. Remove the plug from the socket. 2. Wait 10 seconds. 3. Plug in again. 4. Contact customer service if the problem persists.
LED flashes four times fast	The appliance consumes too much power in standby mode.	
LED flashes five times slowly	The motor is blocked.	
LED flashes five times fast	There is a malfunction in an internal component.	
The On/Off button is illuminated.		

7. TRANSPORT AND STORAGE

1. Clean the appliance, see section 5.1.
2. Place the appliance on a flat and stable surface.
3. Insert the plug of the power cable into a power socket.
4. Turn the main switch to the 'on' position.
 - The On/Off button appears on the screen. This indicates that the appliance is in standby mode.
5. Press the On/Off button on the appliance's control panel.
6. Attach a cup in the designated position. Note: the machine head can only be moved to the lowest position if a cup is properly attached.
7. Press the Up/Down button to move the machine head to the lowest position.
8. Turn the main switch to the 'Off' position.
9. Remove the plug from the socket.
10. Store the appliance in its original packaging in a dry and closed space.

8. DISPOSAL

8.1 Disposing of packaging material

The packaging material consists of various materials. When disposing of packaging material, follow national and local regulations regarding the environmentally friendly disposal of packaging material.

8.2 Disposal of the appliance



The materials used in this appliance and marked with this symbol are recyclable. The marking indicates that this product must not be disposed of via household waste throughout the EU.



This symbol indicates that the device must not be disposed of with other household waste within the EU. By properly disposing of the device, you help prevent potential hazards to the environment and public health. Recycling materials contributes to the conservation of our natural resources. Therefore, do not dispose of discarded electronic devices along with household waste. When disposing of the device, follow national and local regulations regarding the environmentally friendly disposal of electronic devices. Or contact the shop where you bought the product.

CONTACT DETAILS PIERRE

Wisepick Productions B.V.
Weena 664
3012 CN Rotterdam
The Netherlands

GEBRUIKSHANDLEIDING

VOORWOORD	21
1. VEILIGHEID	23
1.1 Veiligheidswaarschuwingen en -voorschriften	23
1.2 Bedoeld gebruik en te verwachten onbedoeld gebruik	25
2. PRODUCTEIGENSCHAPPEN	26
2.1 Technische gegevens	26
2.2 Hoofdonderdelen	26
2.3 Bedieningspaneel	27
2.4 Garantie	27
3. INSTALLATIE	28
3.1 Eisen aan de plaats van installatie	28
3.2 Het apparaat uitpakken	28
3.3 Het apparaat klaarmaken voor gebruik	28
3.3.1 Het apparaat in de hoogste stand zetten	28
3.3.2 Roermes en beker verwijderen	29
3.3.3 Roermes en beker voorspoelen	30
3.3.4 Roermes plaatsen	30
3.3.5 Ingrediënten invriezen	30
3.3.6 Beker plaatsen	31
4. GEBRUIK	32
4.1 Overzicht van de programmaknoppen	32
4.2 Ijs maken	32
4.3 Re-spinfunctie	33
4.4 Het apparaat uitschakelen	33
5. REINIGING EN ONDERHOUD	34
5.1 Het apparaat reinigen	34
6. STORINGEN EN OPLOSSINGEN	35
6.1 Storingen oplossen	35
7. TRANSPORT EN OPSLAG	36
8. AFVOEREN	36
8.1 Verpakkingsmateriaal afvoeren	36
8.2 Het apparaat afvoeren	36

VOORWOORD

OVER DIT DOCUMENT

- Deze handleiding bevat alle informatie voor correct, efficiënt en veilig gebruik van het apparaat.
- Deze handleiding is bedoeld voor de eindgebruiker en/of koper van dit apparaat.
- Zorg ervoor dat u de instructies in deze handleiding volledig gelezen en begrepen heeft voordat u het apparaat installeert of gebruikt. Bewaar dit document voor toekomstig gebruik zolang u het apparaat gebruikt en/of in bezit heeft.
- Wisepick Productions B.V. kan op geen enkele wijze aansprakelijk worden gesteld voor immateriële schade aan u of aan anderen, of materiële schade aan het apparaat, uw eigendommen of eigendommen van anderen ontstaan door het niet of niet juist opvolgen van de instructies in deze handleiding.
- In de waarschuwingen en veiligheidsvoorschriften in deze handleiding worden niet alle mogelijke omstandigheden en situaties besproken.
- Als u contact opneemt met onze klantenservice, zorg er dan voor dat u het modelnummer gereed heeft. De informatie vindt u op het typeplaatje of op de voorzijde van deze handleiding.

GEBRUIKTE SYMBOLEN

SYMBOOL	OMSCHRIJVING
 GEVAAR!	Duidt op brandgevaar en/of brandbare materialen.
 WAARSCHUWING!	Duidt op een gevaarlijke situatie die, indien deze niet wordt vermeden, kan leiden tot ernstige immateriële schade aan u of anderen.
 VOORZICHTIG!	Duidt op een gevaarlijke situatie die, indien deze niet wordt vermeden, kan leiden tot lichte immateriële schade aan u of anderen.
 LET OP!	Duidt op een situatie die verband houdt met materiële schade.
 OPMERKING	Duidt op nuttige, aanvullende informatie.

OPMERKING

U kunt de laatste versie van deze handleiding ook online terugvinden, op www.coolblue.nl als u zoekt op het artikelnummer.

AUTEURSRECHT

De in deze handleiding afgebeelde gegevens, waaronder begrepen teksten, foto's, grafische tekeningen, beeldmerken, (handels)namen en logo's, zijn eigendom van Wisepick Productions B.V. en worden beschermd door het auteursrecht, merkenrecht en/of enig ander intellectueel eigendomsrecht, tenzij deze gegevens toebehoren aan een derde. Het is u nimmer toegestaan de inhoud van de handleiding geheel of gedeeltelijk te reproduceren, over te dragen, te verspreiden, te bewaren of tegen vergoeding beschikbaar te stellen aan derden, zonder de voorafgaande schriftelijke toestemming van Wisepick Productions B.V. en/of de derde waar de gegevens aan toebehoren.

CONTACTGEGEVENS

Pierre is een geregistreerd merk van Wisepick Productions B.V.
De klantenservice kunt u bereiken via: www.coolblue.nl/klantenservice

WISEPICK PRODUCTIONS B.V.

Weena 664
3012 CN, Rotterdam
Nederland

1. VEILIGHEID

Zorg dat u de veiligheidsinstructies volledig heeft gelezen en begrepen, voordat u het apparaat installeert, gebruikt of onderhoudt. Zo voorkomt u mogelijke materiële schade en immateriële schade aan u of aan anderen, het apparaat, uw andere eigendommen of eigendommen van anderen.

1.1 Veiligheidswaarschuwingen en -voorschriften

WAARSCHUWING!

- Dit apparaat is niet bedoeld voor gebruik door personen (waaronder kinderen) met beperkte fysieke, sensorische of geestelijke capaciteiten of met gebrek aan ervaring en kennis, tenzij ze onder toezicht staan of instructies betreffende het gebruik van het apparaat hebben ontvangen van iemand die verantwoordelijk is voor hun veiligheid.
- Laat kinderen niet spelen met het apparaat en de onderdelen. Het apparaat en de onderdelen zijn geen speelgoed.
- Reiniging en onderhoud mogen niet door kinderen zonder toezicht worden uitgevoerd.
- Gebruik het product alleen zoals beschreven in deze handleiding.
- Gebruik het apparaat niet als een onderdeel beschadigd of defect is. Vervang een beschadigd of defect apparaat onmiddellijk. Haal de stekker uit het gearde stopcontact en neem contact op met de klantenservice.

Verstikkingsgevaar door zuurstoftekort:

- Laat kinderen nooit met het verpakkingsmateriaal spelen. Houd het verpakkingsmateriaal buiten bereik van kinderen.

Elektrocutiegevaar door kortsluiting:

- Dompel het apparaat nooit onder in water of andere vloeistoffen.
- Haal altijd de stekker uit het stopcontact voordat u het apparaat schoonmaakt.
- Maak geen aanpassingen aan het apparaat. Open of repareer het apparaat niet zelf. Het apparaat mag alleen worden gerepareerd door een bevoegde servicemonteur.

**GEVAAR!**

Brandgevaar door kortsluiting:

- Controleer voordat u het apparaat gaat gebruiken of het voltage op het typeplaatje overeenkomt met het voltage van het stopcontact. Sluit het apparaat alleen aan op een geaard stopcontact.
- Plaats de voedingskabel niet in de buurt van hitte, olie, scherpe randen en bewegende delen.
- Gebruik geen verlengsnoer of stekkerdozen met dit apparaat.
- Zorg ervoor dat de voedingskabel niet klem komt te zitten onder het apparaat.
- Draai of knik de voedingskabel niet en rol de voedingskabel niet op. De isolatielaag van de voedingskabel kan beschadigd raken.
- Brandgevaar door oververhitting:
- Laat het apparaat nooit onbeheerd achter wanneer het apparaat in gebruik is. Schakel het apparaat uit en haal de stekker uit het geaarde stopcontact als u de ruimte verlaat.
- Gebruik nooit een timer of een aparte afstandsbediening die het apparaat automatisch inschakelt.
- Als het apparaat tijdens het gebruik oververhit raakt, stopt het apparaat automatisch. Wacht tot het apparaat klaar is met resetten.
- Bewaar geen explosieve of licht ontvlambare stoffen zoals spuitbussen met brandbaar drijfgas in het apparaat.

**VOORZICHTIG!**

Snijgevaar door scherpe mesbladen:

- Plaats het apparaat altijd op een vlakke en stabiele ondergrond.
- De snijbladen van het mes zijn extreem scherp. Ga voorzichtig om met het mes. Houd het mes altijd buiten het bereik van kinderen.
- Haal altijd de voedingskabel uit het stopcontact voor het plaatsen of verwijderen van het mes.
- Houd handen, haar en kleding uit de buurt van de beker als het apparaat is ingeschakeld.
- Verwijder het deksel nooit als het mes nog draait.

Risico op voedselvergiftiging:

- Reinig alle onderdelen die met voedsel in contact komen voor gebruik met water en een mild reinigingsmiddel. Spoel grondig af en droog zorgvuldig.

! LET OP!

Risico op schade aan het apparaat:

- Laat het apparaat nooit vallen en vermijd stoten. Overmatige trillingen kunnen leiden tot losgeraakte verbindingen en kunnen de goede werking van het apparaat beïnvloeden. Gebruik het apparaat niet meer als het apparaat is gevallen.
- Gebruik alleen de bijgeleverde accessoires van het product.
- Gebruik het apparaat niet met een lege beker.
- Dit apparaat wordt gebruikt voor het bewerken van kleine hoeveelheden. Overschrijd de in de gebruiksaanwijzing aangegeven hoeveelheid niet.
- Gebruik het apparaat niet voor het mengen van glutenhoudende ingrediënten.
- Draai nooit meer dan 6 programma's achter elkaar. Laat het apparaat na 6 programma's minimaal 10 minuten afkoelen.
- Trek nooit aan de stroomkabel om de stekker uit het stopcontact te trekken. Neem de stekker altijd stevig vast en trek hem recht uit het stopcontact.
- Reinig het apparaat nooit met agressieve chemische schoonmaakmiddelen die het apparaat kunnen beschadigen.

1.2 Bedoeld gebruik en te verwachten onbedoeld gebruik

- Dit apparaat is bedoeld voor het bereiden van verschillende soorten ijs.
- Dit apparaat is uitsluitend bedoeld voor gebruik binnenshuis.
- Dit apparaat is bedoeld voor huishoudelijk gebruik.
- Dit apparaat is niet bedoeld voor gebruik door personen (waaronder kinderen) met beperkte fysieke, sensorische of geestelijke capaciteiten of met gebrek aan ervaring en kennis, tenzij ze onder toezicht staan of instructies betreffende het gebruik van het apparaat hebben ontvangen van iemand die verantwoordelijk is voor hun veiligheid.
- Dit apparaat mag niet gebruikt worden door kinderen jonger dan 8 jaar.

- Elk ander gebruik van het apparaat dan beschreven in deze handleiding wordt beschouwd als onbedoeld gebruik en kan leiden tot materiële schade en immateriële schade aan u of aan anderen, het apparaat, uw andere eigendommen of eigendommen van anderen en het vervallen van de garantie.

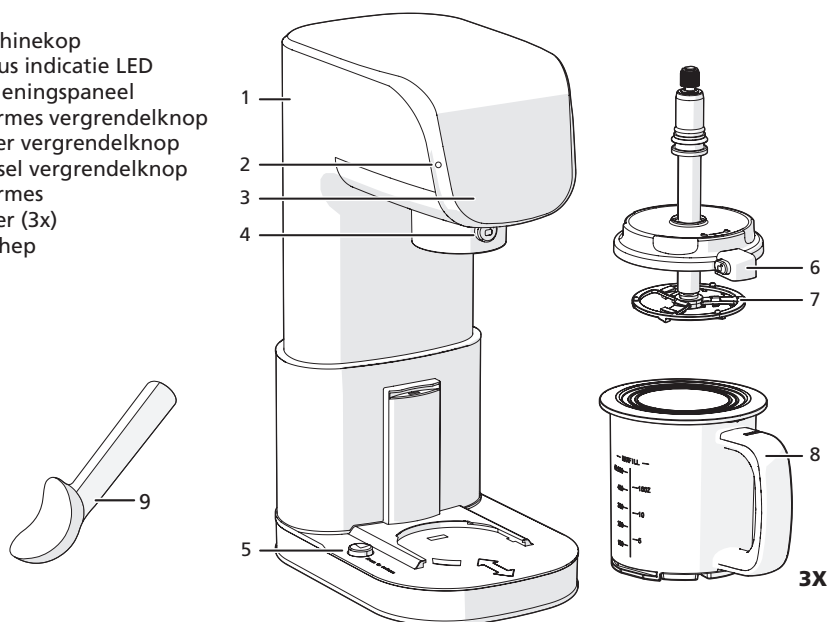
2. PRODUCTEIGENSCHAPPEN

2.1 Technische gegevens

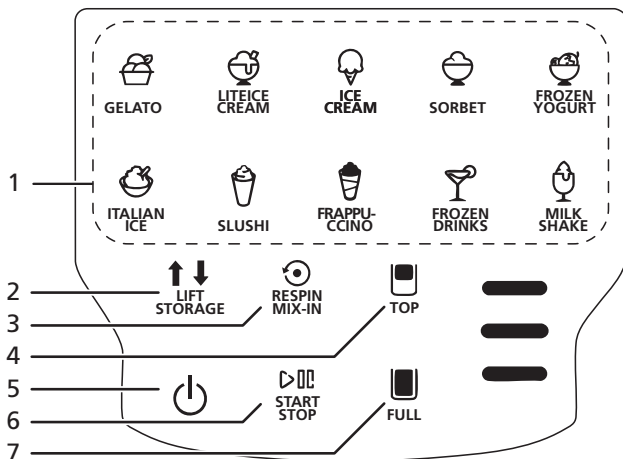
Type ijsmachine	PICM7000
Afmetingen (l x b x h)	
In gebruik	185 x 314 x 446 mm
In opslag	185 x 314 x 337 mm
Voeding	220 – 240 V ~ 50 – 60 Hz
Maximaal elektrisch vermogen	500 W
Stroomverbruik in de uit-stand	0,28 W
Maximale tijdsduur continue gebruik	6 programma's
Maximale inhoud beker	568 ml

2.2 Hoofdonderdelen

1. Machinekop
2. Status indicatie LED
3. Bedieningspaneel
4. Roermes vergrendelknop
5. Beker vergrendelknop
6. Deksel vergrendelknop
7. Roermes
8. Beker (3x)
9. IJsschep



2.3 Bedieningspaneel



1. Programmaknoppen
2. Omhoog-/omlaagknop
3. Re-spinknop
4. Halve beker-knop
5. Aan-/uitknop
6. Start-/pauzeknop
7. Volle beker-knop

2.4 Garantie

Dit apparaat wordt geleverd met een garantieperiode van 3 jaar na aankoop. Ga voor meer informatie over de garantievoorwaarden naar www.coolblue.nl/klantenservice. U dient in ieder geval te beschikken over de aankoopbon met koop- en/of leverdatum om aanspraak te kunnen maken op de garantie.

3. INSTALLATIE

Neem voordat u het apparaat installeert nauwkeurig de veiligheidsinformatie uit hoofdstuk 1 door.

3.1 Eisen aan de plaats van installatie

Plaats het apparaat op een locatie die aan de volgende voorwaarden voldoet:

- Een vlakke, stabiele, hitte- en vochtbestendige ondergrond.
- Niet in direct zonlicht.
- Niet direct naast warmtebronnen zoals kachels of fornuizen.

3.2 Het apparaat uitpakken



WAARSCHUWING!

VERSTIKKINGSGEVAAR. Laat kinderen nooit met het verpakkingsmateriaal spelen. Houd het verpakkingsmateriaal buiten bereik van kinderen.

Controleer of alle onderdelen aanwezig zijn en of het apparaat en de accessoires geen beschadigingen vertonen.

Indien er onderdelen ontbreken of beschadigd zijn, neem dan contact op met Coolblue: www.coolblue.nl/klantenservice

3.3 Het apparaat klaarmaken voor gebruik



LET OP!

Voor het eerste gebruik:

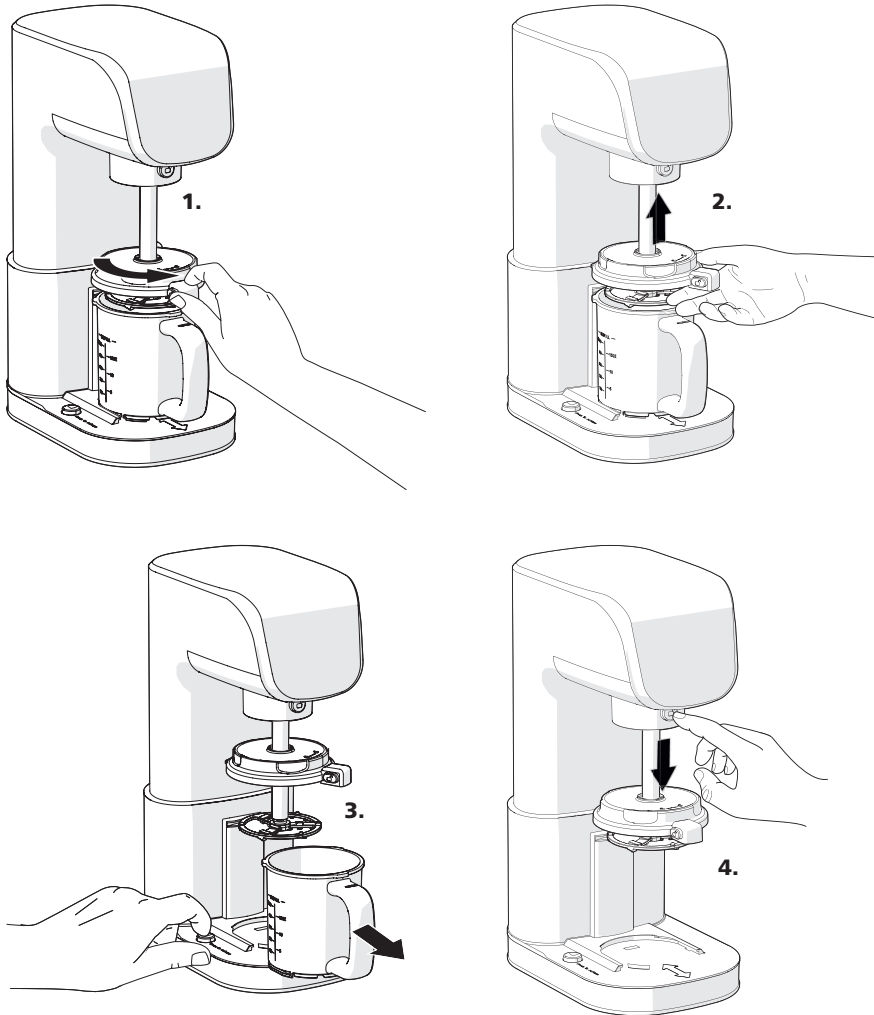
- Reinig alle onderdelen van de ijsmachine voor het eerste gebruik.

3.3.1 Het apparaat in de hoogste stand zetten

1. Plaats het apparaat op een vlakke en stabiele ondergrond.
2. Steek de stekker van het apparaat in het stopcontact.
3. Schakel de hoofdschakelaar naar de 'aan' positie.
Op het bedieningspaneel knippert de aan-/uitknop. De knipperende aan-/uitknop geeft aan dat het apparaat in de stand-by stand staat.
4. Druk op de aan-/uitknop.
5. Druk op de omhoog-/omlaagknop.
De machinekop beweegt automatisch naar de hoogste stand.

3.3.2 Roermes en beker verwijderen

1. Houdt de deksel vergrendelknop ingedrukt en draai het deksel naar rechts.
2. Schuif het deksel omhoog.
3. Houdt met één hand de beker vergrendelknop ingedrukt, pak met de andere hand het handvat van de beker vast en trek de beker naar je toe.
4. Druk de roermes vergrendelknop in en trek het roermes naar beneden.

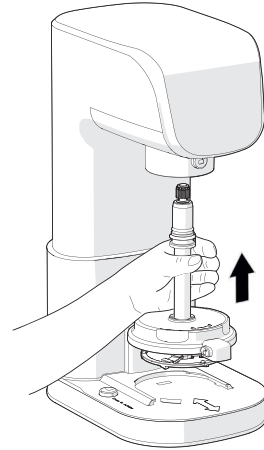


3.3.3 Roermes en beker voorspoelen

1. Verwijder de beker en het roermes uit het apparaat, zie hoofdstuk 3.3.2.
2. Reinig de beker en het roermes met warm water en een mild reinigingsmiddel, of plaats de beker en het roermes in de vaatwasser.

3.3.4 Roermes plaatsen

1. Breng het apparaat in de hoogste stand, zie hoofdstuk 3.3.1.
2. Lijn het roermes uit met de opening onder de machinekop, en duw het roermes omhoog tot je een duidelijke klik hoort.

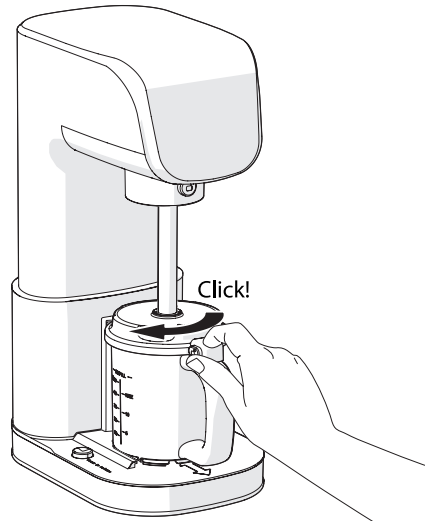
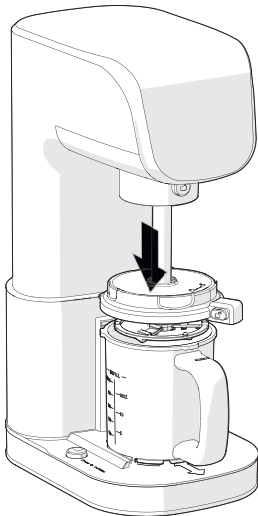
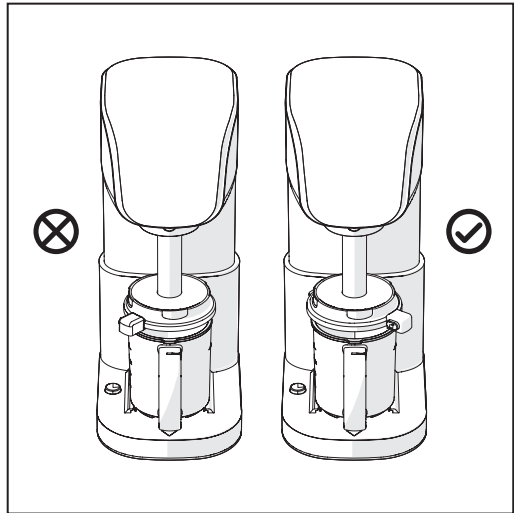
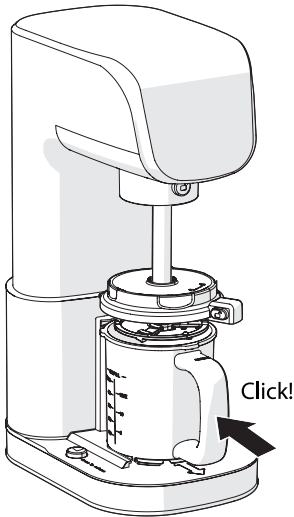


3.3.5 Ingrediënten invriezen

1. Kies ingrediënten op basis van het recept en uw persoonlijke smaakvoorkeur.
2. Vul de beker met de gekozen ingrediënten. Vul nooit boven de MAX-markering aangegeven in de beker.
3. Plaats de beker in de vriezer.
Laat de beker ten minste 24 uur in de vriezer staan tot de inhoud volledig bevroren is.

3.3.6 Beker plaatsen

1. Breng de machinekop naar de hoogste stand, zie hoofdstuk 3.3.1.
2. Plaats het roermes, zie hoofdstuk 3.3.4.
3. Schuif de beker recht in de openingen van de bekerhouder tot je een klik hoort
4. Draai het deksel naar rechts zodat de vergrendeling aan de rechterkant van het beker handvat gepositioneerd is.
5. Duw het deksel van de beker naar beneden totdat het deksel volledig aansluit op de beker.
6. Draai het deksel naar links tot je een klik hoort.



4. GEBRUIK

Neem voordat u het apparaat gebruikt nauwkeurig de veiligheidsinformatie uit hoofdstuk 1 door.

4.1 Overzicht van de programmaknoppen

	GELATO	Italiaans ijs met minder lucht en een dichte structuur.
	LITE ICE CREAM	Ijs met een verlaagd vet- en suikergehalte.
	ICE CREAM	Klassiek romig ijs met een luchtige textuur.
	SORBET	Zuivelvrij ijs op basis van fruit en water met een zachte textuur.
	FROZEN YOGHURT	Ijs op basis van yoghurt met een frisse smaak.
	ITALIAN ICE	Zuivelvrij ijs op basis van fruit en water met een grove textuur.
	SLUSHI	Fijn gemalen ijsdrank met siroop of sap.
	FRAPPU-CCINO	Romige ijskoffie op basis van ijs en room.
	FROZEN DRINKS	Fijn gemalen ijsdrank met siroop, sap en alcohol.
	MILKSHAKE	Dikke drank van ijs en melk, eventueel met smaak.

4.2 Ijs maken

1. Maak het apparaat klaar voor gebruik volgens hoofdstuk 3.3.
2. Druk op een programmaknop naar keuze.
Het gekozen programma icoon knippert.
De volle beker-knop knippert.

De machine is standaard ingesteld om een volle beker ijs te maken. Om een halve beker ijs te maken:

3. Druk op de halve beker-knop.
De halve beker-knop knippert.
4. Druk op de start-/pauzeknop.
Het gekozen programma licht op.
De machinekop beweegt eerst naar beneden en vervolgens weer omhoog.
5. Druk op de start-/pauzeknop om het programma te pauzeren.
6. Wacht tot het programma klaar is.
Het programma is klaar als de messen niet meer draaien en alle iconen op het bedieningspaneel oplichten.
7. Houdt de deksel vergrendelknop ingedrukt en draai het deksel naar rechts.
8. Pak de deksel met beide handen beet en schuif het deksel omhoog.
9. Houdt met één hand de beker vergrendelknop ingedrukt, pak met de andere hand het handvat van de beker vast en trek de beker naar je toe.

4.3 Re-spinfunctie

Gebruik de re-spinfunctie om na het programma je ijs een nog gladdere textuur te geven of extra ingrediënten toe te voegen zoals chocolade chips, noten, of fruit.

1. Maak een ijs naar keuze, zie hoofdstuk 4.2.
2. Plaats de beker in het apparaat, zie hoofdstuk 3.3.6. Voeg eventueel extra ingrediënten toe.
3. Druk op de re-spinknop.
De re-spinknop knippert.
4. Druk op de start-/pauzeknop.
Het gekozen programma licht op.
De machinekop beweegt eerst naar beneden en vervolgens weer omhoog.
5. Druk op de start-/pauzeknop om het programma te pauzeren.
6. Wacht tot het programma klaar is.
Het programma is klaar als de messen niet meer draaien en alle iconen op het bedieningspaneel oplichten.
7. Pak de deksel met beide handen beet en schuif het deksel omhoog.
8. Houdt met één hand de beker vergrendelknop ingedrukt, pak met de andere hand het handvat van de beker vast en trek de beker naar je toe.

4.4 Het apparaat uitschakelen



WAARSCHUWING!

Laat het apparaat nooit onbeheerd achter wanneer het apparaat in gebruik is. Schakel het apparaat uit en haal de stekker uit het geaarde stopcontact als u de ruimte verlaat. Om het apparaat uit te schakelen:

- Schakel de hoofdschakelaar naar de 'uit' positie.

5. REINIGING EN ONDERHOUD

TN

Neem voordat u het apparaat gaat onderhouden en reinigen nauwkeurig de veiligheidsinformatie uit hoofdstuk 1 door.

5.1 Het apparaat reinigen



WAARSCHUWING!

Dompel het apparaat nooit onder in water of andere vloeistoffen.

Haal altijd de stekker uit het stopcontact voordat u het apparaat schoonmaakt.



VOORZICHTIG!

Laat het apparaat altijd volledig afkoelen en haal de stekker uit het gearde stopcontact voordat u het apparaat onderhoudt of reinigt.



LET OP!

Reinig het apparaat nooit met agressieve of schurende schoonmaakmiddelen, of scherpe voorwerpen.

Maak het apparaat na elk gebruik grondig schoon.

1. Verwijder de beker en het roermes, zie hoofdstuk 3.3.2.
2. Maak de beker en het roermes schoon met warm water en afwasmiddel of plaats deze in de vaatwasser.
 - De beker en het roermes zijn vaatwasser bestendig.
3. Schakel de hoofdschakelaar naar de 'uit' positie.
4. Haal de stekker uit het stopcontact.
5. Maak de buitenkant van het apparaat schoon met een zachte, vochtige doek.
6. Maak alle onderdelen droog met een zachte doek.

6. STORINGEN EN OPLOSSINGEN

Sommige problemen kunt u eenvoudig zelf verhelpen met behulp van de onderstaande tabel. Mochten onderstaande beschrijvingen uw probleem niet oplossen, neemt u dan contact op met onze klantenservice: www.coolblue.nl/klantenservice

6.1 Storingen oplossen

Dit apparaat maakt gebruik van het bedieningspaneel en een rode status indicatie LED om storingen aan te duiden.

PROBLEEM	MOGELIJKE OORZAAK	MOGELIJKE OPLOSSING
Alle knoppen op het bedieningspaneel knipperen.	De beker of het deksel is niet goed vergrendeld.	Controleer of de beker, het deksel, en het roermes goed geplaatst zijn.
Zowel de aan/uit-knop als de omhoog/omlaagknop knipperen. De machinekop beweegt omhoog en het display reageert niet meer.	De motor is oververhit geraakt door langdurig gebruik.	<ol style="list-style-type: none"> Schakel de ijsmachine uit. Laat de ijsmachine minimaal 10 minuten afkoelen.
De omhoog/omlaagknop knippert en de machinekop beweegt automatisch omhoog.	De motor is oververhit door te veel ingrediënten in de beker.	<ol style="list-style-type: none"> Wacht tot de motor automatisch is gereset Verminder de hoeveelheid ingrediënten. Vul de beker nooit boven de MAX-markering.
Status indicatie LED knippert 4x langzaam	Te veel ingrediënten in de beker.	<ol style="list-style-type: none"> Wacht tot het apparaat is gereset. Verwijder een deel van de ingrediënten. Vul nooit boven de MAX-markering.
LED knippert 2x langzaam	De netspanning is te hoog.	<ol style="list-style-type: none"> Controleer of het voltage op het typeplaatje overeenkomt met het voltage van het stopcontact. Gebruik eventueel een andere stopcontact.
LED knippert 3x langzaam	De netspanning is te laag.	
LED knippert 2x snel	Het systeem voert een controle uit.	<ol style="list-style-type: none"> Trek de stekker uit het stopcontact. Wacht 10 seconden. Steek de stekker opnieuw in het stopcontact. Neem contact op met de klantenservice als het probleem aanhoudt.
LED knippert 4x snel	Het apparaat verbruikt te veel stroom in de stand-by stand.	
LED knippert 5x langzaam	De motor is geblokkeerd.	
LED knippert 5x snel	Er is een storing in een intern onderdeel.	
De aan/uit-knop is verlicht.		

7. TRANSPORT EN OPSLAG

1. Reinig het apparaat, zie hoofdstuk 5.1.
2. Plaats het apparaat op een vlakke en stabiele ondergrond.
3. Steek de stekker van de stroomkabel in een stopcontact.
4. Schakel de hoofdschakelaar naar de 'aan' positie.
 - Op het scherm verschijnt de aan/uit knop. Deze geeft aan dat het apparaat in stand-by staat.
5. Druk op de aan/uit-knop op het bedieningspaneel van het apparaat.
6. Bevestig een beker op de daarvoor bestemde positie. Let op: de machinekop kan alleen naar de laagste stand worden gebracht als er een beker correct is bevestigd.
7. Druk op de omhoog/omlaagknop om de machinekop naar de laagste stand te brengen.
8. Schakel de hoofdschakelaar naar de 'uit' positie.
9. Haal de stekker uit het stopcontact.
10. Bewaar het apparaat in de originele verpakking in een droge en afgesloten ruimte.

8. AFVOEREN

8.1 Verpakkingsmateriaal afvoeren

Het verpakkingsmateriaal bestaat uit verschillende materialen. Volg bij het afvoeren van het verpakkingsmateriaal de nationale en lokale regelgeving met betrekking tot het milieuvriendelijk afvoeren van het verpakkingsmateriaal.

8.2 Het apparaat afvoeren



De materialen die in dit apparaat worden gebruikt en zijn gemarkeerd met dit symbool zijn recyclebaar. De markering duidt erop dat dit product in de gehele EU niet mag worden weggegooid bij het huishoudelijk afval.



Dit symbool geeft aan dat het apparaat niet met ander huishoudelijk afval weggegooid mag worden binnen de EU. Door het apparaat op de juiste wijze af te voeren, helpt u mogelijke gevaren voor het milieu en de volksgezondheid te voorkomen. Het recyclen van materialen draagt bij tot het behoud van natuurlijke hulpbronnen. Gooi afgedankte elektronische apparaten daarom niet weg met het huishoudelijk afval. Volg bij het afvoeren van het apparaat de nationale en lokale regelgeving met betrekking tot het milieuvriendelijk afvoeren van elektronische apparatuur. Of neem contact op met de winkel waar u het product heeft gekocht.

CONTACTGEGEVENS PIERRE

De klantenservice kunt u bereiken via: www.coolblue.nl/klantenservice

WISEPICK PRODUCTIONS B.V.

Weena 664
3012 CN Rotterdam
Nederland

NOTICE D'UTILISATION






AVANT-PROPOS	38
1. SÉCURITÉ	40
1.1 Avertissements et consignes de sécurité	40
1.2 Utilisation prévue et utilisation involontaire prévisible	42
2. CARACTÉRISTIQUES DU PRODUIT	43
2.1 Caractéristiques techniques	43
2.2 Composants principaux	43
2.3 Panneau de commande	44
2.4 Garantie	44
3. INSTALLATION	45
3.1 Exigences relatives au lieu d'installation	45
3.2 Déballage de l'appareil	45
3.3 Préparer l'appareil	45
3.3.1 Mettre l'appareil dans la position la plus haute	45
3.3.2 Retirer l'agitateur et la tasse	46
3.3.3 Rincer l'agitateur et la tasse	47
3.3.4 Placer l'agitateur	47
3.3.5 Congeler des ingrédients	47
3.3.6 Placer la tasse	48
4. UTILISATION	49
4.1 Aperçu des boutons de programme	49
4.2 Faire de la crème glacée	49
4.3 Fonction Re-spin	50
4.4 Éteindre l'appareil	50
5. NETTOYAGE ET ENTRETIEN	51
5.1 Nettoyage de l'appareil	51
6. DÉPANNAGE	52
6.1 Dépannage	52
7. TRANSPORT ET STOCKAGE	53
8. MISE AU REBUT	53
8.1 Éliminer l'emballage	53
8.2 Éliminer l'appareil	53

AVANT-PROPOS

À PROPOS DE CE DOCUMENT

- Ce manuel contient toutes les informations pour une utilisation correcte, efficace et sûre de l'appareil.
- Ce manuel est destiné à l'utilisateur final et/ou l'acheteur de cet appareil.
- Assurez-vous d'avoir bien lu et compris les instructions de ce manuel avant d'installer ou d'utiliser l'appareil. Conservez ce document pour une utilisation future tant que vous utilisez et/ou possédez l'appareil.
- Wisepick Productions B.V. ne peut en aucun cas être tenue responsable des dommages immatériels causés à vous-même ou à autrui, ou des dommages matériels causés à l'appareil, à vos biens ou à ceux d'autrui, suite au non-respect des instructions contenues dans ce manuel.
- Les avertissements et consignes de sécurité de ce manuel ne décrivent pas toutes les circonstances et situations possibles.
- Si vous contactez notre service clientèle, assurez-vous d'avoir le numéro de modèle à portée de main. Vous trouverez les informations sur la plaque signalétique ou au recto de ce manuel.

SYMBOLES UTILISÉS

SYMBOLE	DESCRIPTION
 DANGER !	Indique un risque d'incendie et/ou des matériaux inflammables.
 AVERTISSEMENT !	Indique une situation dangereuse qui, si elle n'est pas évitée, peut entraîner de graves dommages immatériels à vous ou à autrui.
 PRUDENCE !	Indique une situation dangereuse qui, si elle n'est pas évitée, peut entraîner de légers dommages immatériels à vous ou à autrui.
 ATTENTION !	Indique une situation liée à des dégâts matériels.
 REMARQUE	Indique des informations complémentaires utiles.

REMARQUE

Vous pouvez également trouver la dernière version de ce manuel en ligne, à l'adresse suivante : www.coolblue.be en effectuant une recherche à partir du numéro de l'article.

DROIT D'AUTEUR

Les données représentées dans ce manuel, y compris les textes, photos, dessins graphiques, marques figuratives, noms (commerciaux) et logos, sont la propriété de Wisepick Productions B.V. et sont protégées par le droit d'auteur, le droit des marques et/ou tout autre droit de propriété intellectuelle, sauf si ces données appartiennent à un tiers. Vous n'êtes en aucun cas autorisé(e) à reproduire, transférer, distribuer, conserver ou mettre à la disposition de tiers contre rémunération la totalité ou une partie du contenu du manuel sans l'autorisation écrite préalable de Wisepick Productions B.V. et/ou du tiers auquel les données appartiennent.

COORDONNÉES

Pierre est une marque déposée de Wisepick Productions B.V.

Le service client est joignable via : <https://www.coolblue.be/fr/service-client>

WISEPICK PRODUCTIONS B.V.

Weena 664

3012 CN Rotterdam

Pays-Bas

1. SÉCURITÉ

Assurez-vous d'avoir bien lu et compris les consignes de sécurité avant d'installer, d'utiliser ou d'entretenir l'appareil. Vous éviterez ainsi d'éventuels dommages matériels et immatériels à vous-même ou à autrui, à l'appareil, à vos autres biens ou à ceux d'autrui.

1.1 Avertissements et consignes de sécurité

AVERTISSEMENT !

- Cet appareil n'est pas destiné à être utilisé par des personnes (y compris des enfants) dont les capacités physiques, sensorielles ou mentales sont réduites ou qui manquent d'expérience et de connaissances, à moins qu'elles ne soient surveillées ou aient reçu des instructions concernant l'utilisation de l'appareil d'une personne responsable de leur sécurité.
- Ne laissez pas les enfants jouer avec l'appareil et ses composants. L'appareil et ses composants ne sont pas des jouets.
- Le nettoyage et l'entretien ne doivent pas être effectués par des enfants sans surveillance.
- N'utilisez le produit que de la manière décrite dans ce manuel.
- N'utilisez pas l'appareil si l'une de ses pièces est endommagée ou défectueuse. Remplacez immédiatement un appareil endommagé ou défectueux. Retirez la fiche de la prise de terre et contactez le service clientèle.

Risque d'asphyxie par manque d'oxygène :

- Ne laissez jamais les enfants jouer avec l'emballage. Tenir l'emballage hors de portée des enfants.

Risque d'électrocution dû à un court-circuit :

- N'immergez jamais l'appareil dans l'eau ou dans d'autres liquides.
- Retirez toujours la fiche de la prise avant de nettoyer l'appareil.
- Ne modifiez pas l'appareil. N'ouvrez et ne réparez pas l'appareil vous-même. L'appareil ne peut être réparé que par un technicien de service qualifié.

 **DANGER !**

Risque d'incendie par court-circuit :

- Avant d'utiliser l'appareil, vérifiez que la tension indiquée sur la plaque signalétique correspond à la tension de la prise. Ne branchez l'appareil qu'à une prise de terre.
- Ne placez pas le câble d'alimentation à proximité de chaleur, d'huile, de bords tranchants et de pièces mobiles.
- N'utilisez pas de rallonge ou de prises multiples avec cet appareil.
- Veillez à ce que le câble d'alimentation ne soit pas coincé sous l'appareil.
- Ne tordez ou ne pliez pas le câble d'alimentation, et ne l'enroulez pas. Cela pourrait endommager la gaine isolante du câble d'alimentation.

Risque d'incendie dû à une surchauffe :

- Ne laissez jamais l'appareil sans surveillance lorsqu'il fonctionne. Éteignez l'appareil et débranchez-le de la prise de terre lorsque vous quittez la pièce.
- N'utilisez jamais de minuterie ou de télécommande séparée qui allume automatiquement l'appareil.
- Si l'appareil surchauffe en cours de fonctionnement, il s'éteint automatiquement. Attendez que l'appareil ait fini de se réinitialiser.
- Ne stockez pas dans l'appareil des substances explosives ou légèrement inflammables telles que des aérosols contenant un agent propulseur inflammable.

 **PRUDENCE !**

Risque de coupure dû aux lames tranchantes :

- Placez toujours l'appareil sur une surface plane et stable.
- Les lames sont extrêmement tranchantes. Manipulez-les avec précaution. Gardez-les toujours hors de portée des enfants.
- Débranchez toujours le câble d'alimentation avant d'insérer ou de retirer la lame.
- N'approchez pas les mains, les cheveux et les vêtements de la tasse lorsque l'appareil est en marche.
- Ne retirez jamais le couvercle lorsque les lames sont encore en train de tourner.

Risque d'intoxication alimentaire :

- Avant utilisation, nettoyez toutes les parties en contact des aliments avec de l'eau et un détergent doux. Rincez abondamment et séchez soigneusement.

FR

! ATTENTION !

Risque d'endommagement de l'appareil :

- Ne laissez jamais tomber l'appareil et évitez les chocs. Des vibrations excessives peuvent entraîner le desserrement des connexions et nuire au bon fonctionnement de l'appareil. Ne réutilisez pas l'appareil s'il est tombé.
- N'utilisez que les accessoires fournis avec le produit.
- N'utilisez pas l'appareil avec une tasse vide.
- Cet appareil est utilisé pour traiter de petites quantités. Ne dépassez pas la quantité spécifiée dans le mode d'emploi.
- N'utilisez pas l'appareil pour mixer des ingrédients contenant du gluten.
- N'exécutez jamais plus de 6 programmes à la suite. Laissez l'appareil refroidir pendant au moins 10 minutes après 6 programmes.
- Ne tirez jamais sur le câble d'alimentation pour enlever la fiche de la prise. Saisissez toujours la fiche fermement et retirez-la directement de la prise.
- Ne nettoyez jamais l'appareil avec des détergents chimiques agressifs qui pourraient l'endommager.

1.2 Utilisation prévue et utilisation involontaire prévisible

- Cet appareil est destiné à la préparation de différents types de glaces.
- Cet appareil est destiné à un usage intérieur uniquement.
- Cet appareil est destiné à un usage domestique.
- Cet appareil n'est pas destiné à être utilisé par des personnes (y compris des enfants) dont les capacités physiques, sensorielles ou mentales sont réduites ou qui manquent d'expérience et de connaissances, à moins qu'elles ne soient surveillées ou aient reçu des instructions concernant l'utilisation de l'appareil d'une personne responsable de leur sécurité.
- Cet appareil ne peut pas être utilisé par des enfants de moins de 8 ans.

- Toute utilisation de l'appareil autre que celle décrite dans ce manuel est considérée comme une utilisation involontaire et peut entraîner des dommages matériels et immatériels à vous-même ou à autrui, à l'appareil, à vos autres biens ou à ceux d'autrui ainsi que l'annulation de la garantie.

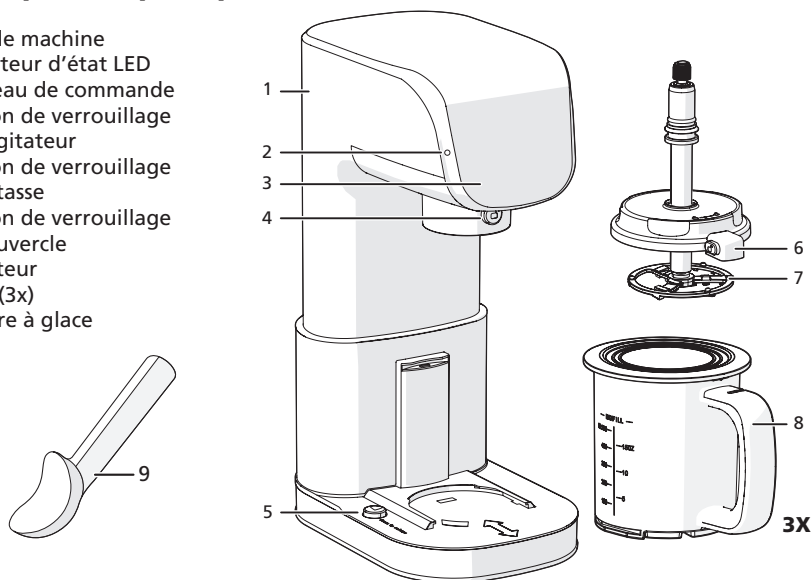
2. CARACTÉRISTIQUES DU PRODUIT

2.1 Caractéristiques techniques

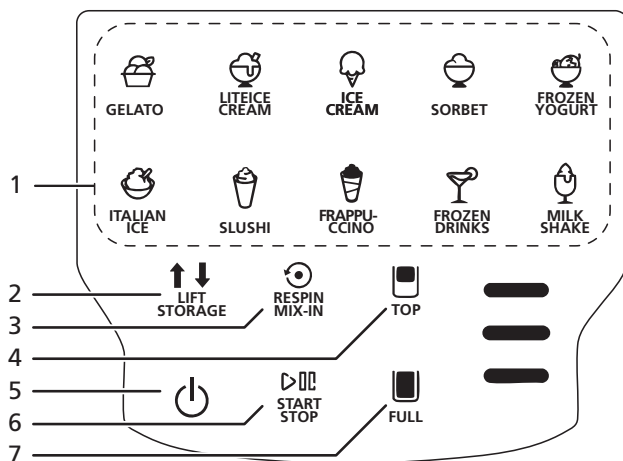
Type de Sorbetière	PICM7000
Dimensions (l x p x h)	
En cours d'utilisation	185 x 314 x 446 mm
En stock	185 x 314 x 337 mm
Alimentation	220 – 240 V ~ 50 – 60 Hz
Puissance électrique maximale	500 W
Consommation électrique en mode arrêt	0,28 W
Durée maximale d'utilisation continue	6 programmes
Contenu maximal de la tasse	568 ml

2.2 Composants principaux

1. Tête de machine
2. Indicateur d'état LED
3. Panneau de commande
4. Bouton de verrouillage de l'agitateur
5. Bouton de verrouillage de la tasse
6. Bouton de verrouillage du couvercle
7. Agitateur
8. Tasse (3x)
9. Cuillère à glace



2.3 Panneau de commande



1. Boutons de programme
2. Bouton haut/bas
3. Bouton « re-spin »
4. Bouton demi-tasse
5. Bouton d'alimentation
6. Bouton start/pause
7. Bouton tasse remplie

2.4 Garantie

Cet appareil est couvert par une garantie de 3 ans après l'achat. Pour en savoir plus sur les conditions de garantie, rendez-vous sur www.coolblue.be/fr/service-client. Dans tous les cas, vous devez disposer de la facture d'achat avec la date d'achat et/ou de livraison pour faire valoir la garantie.

3. INSTALLATION

Avant d'installer l'appareil, lisez attentivement les informations relatives à la sécurité dans le chapitre 1.

3.1 Exigences relatives au lieu d'installation

Placez l'appareil à un endroit qui satisfait aux conditions suivantes :

- Une surface plane, stable, résistant à la chaleur et à l'humidité.
- Pas d'exposition directe à la lumière du soleil.
- Pas directement à côté de sources de chaleur, telles que des poêles ou des fourneaux.

3.2 Déballage de l'appareil



AVERTISSEMENT !

RISQUE D'ÉTOUFFEMENT. Ne laissez jamais les enfants jouer avec l'emballage. Tenir l'emballage hors de portée des enfants.

Vérifiez que toutes les pièces sont présentes et que l'appareil et les accessoires ne sont pas endommagés.

Si des pièces sont manquantes ou endommagées, contactez le service client de Coolblue : www.coolblue.be/fr/service-client.

3.3 Préparer l'appareil



ATTENTION !

Avant la première utilisation :

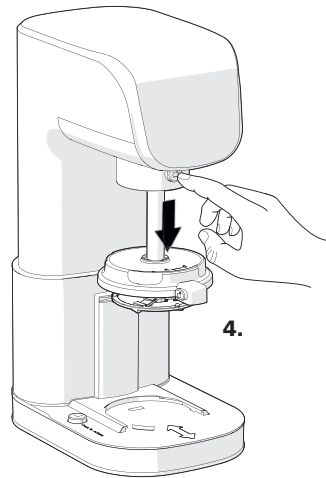
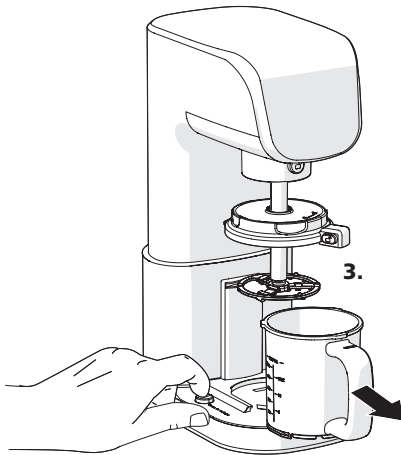
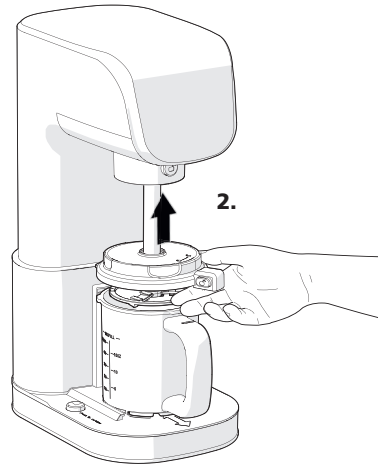
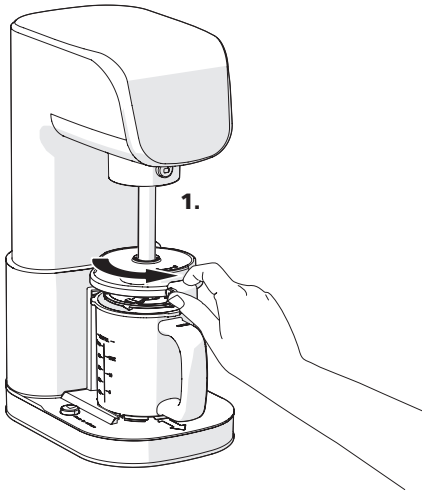
- Nettoyez toutes les pièces de la sorbetière.

3.3.1 Mettre l'appareil dans la position la plus haute

1. Placez l'appareil sur une surface plane et stable.
2. Branchez l'appareil sur la prise de courant.
3. Mettez l'interrupteur principal en position « marche ».
Sur le panneau de commande, le bouton marche/arrêt clignote. Le clignotement du bouton d'alimentation indique que l'appareil est en mode veille.
4. Appuyez sur le bouton marche/arrêt.
5. Appuyez sur le bouton haut/bas.
La tête de la machine se met automatiquement en position haute.

3.3.2 Retirer l'agitateur et la tasse

1. Maintenez le bouton de verrouillage du couvercle enfoncé et tournez le couvercle vers la droite.
2. Faites glisser le couvercle vers le haut.
3. En tenant le bouton de verrouillage de la tasse d'une main, saisissez la poignée de la tasse de l'autre main et tirez la tasse vers vous.
4. Appuyez sur le bouton de verrouillage de l'agitateur et tirez l'agitateur vers le bas.

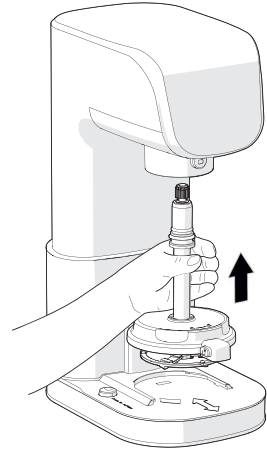


3.3.3 Rincer l'agitateur et la tasse

1. Retirez la tasse et l'agitateur de l'appareil, voir chapitre 3.3.2.
2. Nettoyez la tasse et l'agitateur avec de l'eau chaude et un détergent doux, ou mettez la tasse et l'agitateur au lave-vaisselle.

3.3.4 Placer l'agitateur

1. Placez l'appareil dans sa position la plus haute, voir chapitre 3.3.1.
2. Alignez l'agitateur sur l'ouverture située sous la tête de la machine et poussez l'agitateur vers le haut jusqu'à ce que vous entendiez un clic distinct.

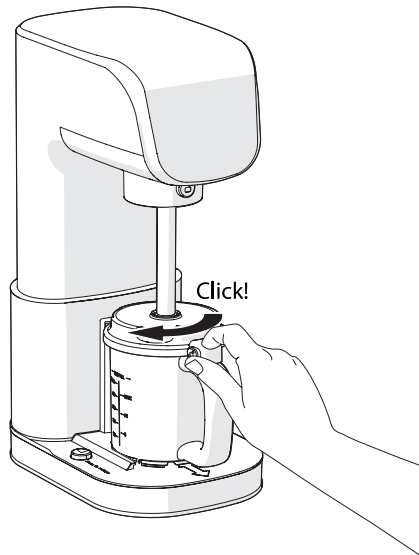
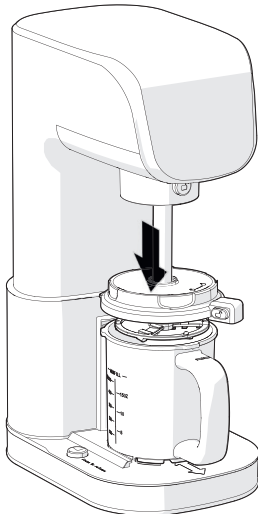
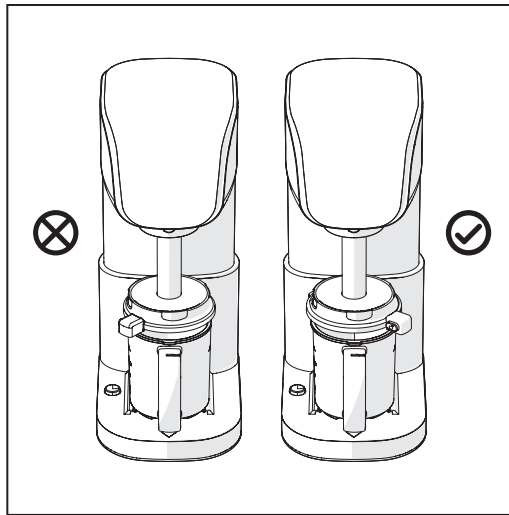
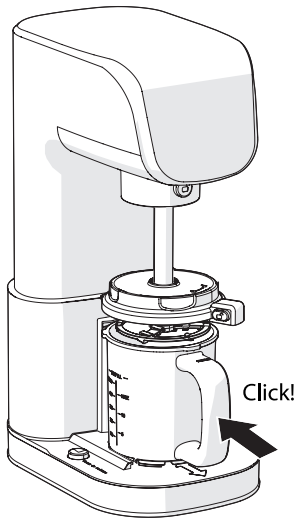


3.3.5 Congeler des ingrédients

1. Choisissez les ingrédients en fonction de la recette et de vos préférences gustatives personnelles.
2. Remplissez la tasse avec les ingrédients choisis. Ne remplissez jamais au-delà du repère MAX indiqué dans la tasse.
3. Placez la tasse au congélateur.
Laissez la tasse dans le congélateur pendant au moins 24 heures jusqu'à ce que le contenu soit complètement congelé.

3.3.6 Placer la tasse











1. Relevez la tête de la machine dans sa position la plus haute, voir chapitre 3.3.1.
2. Placez l'agitateur, voir chapitre 3.3.4.
3. Faites glisser la tasse directement dans les ouvertures du porte-tasse jusqu'à ce que vous entendiez un clic.
4. Tournez le couvercle vers la droite de manière à ce que le loquet soit positionné sur le côté droit de la poignée de la tasse.
5. Poussez le couvercle de la tasse vers le bas jusqu'à ce que le couvercle soit complètement relié à la tasse.
6. Tournez le couvercle vers la gauche jusqu'à ce que vous entendiez un clic.



4. UTILISATION

Avant d'utiliser l'appareil, lisez attentivement les informations relatives à la sécurité énoncées dans le chapitre 1.

4.1 Aperçu des boutons de programme

	GELATO	Glace italienne avec moins d'air et une texture dense.
	LITE ICE CREAM	Crème glacée à teneur réduite en matières grasses et en sucre.
	ICE CREAM	Glace crémeuse classique à la texture aérée.
	SORBET	Glace sans produits laitiers à base de fruits et d'eau, à la texture moelleuse.
	FROZEN YOGHURT	Glace à base de yaourt au goût frais.
	ITALIAN ICE	Glace sans produits laitiers à base de fruits et d'eau, avec une texture en morceaux.
	SLUSHI	Boisson glacée finement pilée avec du sirop ou du jus.
	FRAPPU-CCINO	Café glacé crémeux à base de glace et de crème.
	FROZEN DRINKS	Boisson glacée finement pilée avec du sirop, du jus et de l'alcool.
	MILKSHAKE	Boisson épaisse à base de glace et de lait, éventuellement aromatisée.

FR

4.2 Faire de la crème glacée

1. Préparez l'appareil à l'utilisation conformément au chapitre 3.3.
2. Appuyez sur un bouton de programme de votre choix.
L'icône du programme sélectionné clignote.
Le bouton de la tasse pleine clignote.

Par défaut, la machine est réglée pour produire une tasse entière de crème glacée. Pour obtenir une demi-tasse de glace :

3. Appuyez sur le bouton demi-tasse.
Le bouton demi-tasse clignote.
4. Appuyez sur le bouton start/pause.
Le programme sélectionné s'allume.
La tête de la machine se déplace d'abord vers le bas, puis vers le haut.
5. Appuyez sur le bouton start/pause pour interrompre le programme.
6. Attendez la fin du programme.
Le programme est terminé lorsque les lames cessent de tourner et que toutes les icônes du panneau de commande s'allument.
7. Maintenez le bouton de verrouillage du couvercle enfoncé et tournez le couvercle vers la droite.
8. Saisissez le couvercle à deux mains et le faites-le glisser vers le haut.
9. En tenant le bouton de verrouillage de la tasse d'une main, saisissez la poignée de la tasse de l'autre main et tirez la tasse vers vous.

4.3 Fonction Re-spin

Utilisez la fonction « re-spin » après le programme pour donner à votre glace une texture encore plus lisse ou pour ajouter des ingrédients supplémentaires, tels que des pépites de chocolat, des noix ou des fruits.

1. Préparez une glace de votre choix, voir chapitre 4.2.
2. Placez la tasse dans l'appareil, voir chapitre 3.3.6. Ajoutez des ingrédients supplémentaires si nécessaire.
3. Appuyez sur le bouton re-spin.
Le bouton re-spin clignote.
4. Appuyez sur le bouton start/pause.
Le programme sélectionné s'allume.
La tête de la machine se déplace d'abord vers le bas, puis vers le haut.
5. Appuyez sur le bouton start/pause pour interrompre le programme.
6. Attendez la fin du programme.
Le programme est terminé lorsque les lames cessent de tourner et que toutes les icônes du panneau de commande s'allument.
7. Saisissez le couvercle à deux mains et le faites-le glisser vers le haut.
8. En tenant le bouton de verrouillage de la tasse d'une main, saisissez la poignée de la tasse de l'autre main et tirez la tasse vers vous.

4.4 Éteindre l'appareil



AVERTISSEMENT !

Ne laissez jamais l'appareil sans surveillance lorsqu'il fonctionne. Éteignez l'appareil et débranchez-le de la prise de terre lorsque vous quittez la pièce.

Pour éteindre l'appareil :

- Mettez l'interrupteur principal en position « arrêt ».

5. NETTOYAGE ET ENTRETIEN

Avant de passer à l'entretien et au nettoyage de l'appareil, lisez attentivement les informations de sécurité énoncées dans le chapitre 1.

5.1 Nettoyage de l'appareil

AVERTISSEMENT !

N'immergez jamais l'appareil dans l'eau ou dans d'autres liquides.

Retirez toujours la fiche de la prise avant de nettoyer l'appareil.

PRUDENCE !

Laissez toujours l'appareil refroidir complètement et débranchez la fiche de la prise de terre avant d'entretenir ou de nettoyer l'appareil.

ATTENTION !

Ne nettoyez jamais l'appareil avec des produits agressifs ou abrasifs ou avec des objets tranchants.

Nettoyez soigneusement l'appareil après chaque utilisation.

1. Retirez la tasse et l'agitateur, voir chapitre 3.3.2.
2. Nettoyez la tasse et l'agitateur avec de l'eau chaude et du liquide vaisselle ou mettez-les au lave-vaisselle.
 - La tasse et l'agitateur peuvent être lavés au lave-vaisselle.
3. Mettez l'interrupteur principal en position « arrêt ».
4. Retirez la fiche de la prise.
5. Nettoyez l'extérieur de l'appareil avec un chiffon doux et humide.
6. Séchez toutes les pièces avec un chiffon doux.

6. DÉPANNAGE

Vous pouvez facilement résoudre certains problèmes vous-même à l'aide du tableau ci-dessous. Si les descriptions ci-dessous ne permettent pas de résoudre votre problème, veuillez contacter notre service clientèle : www.coolblue.be/fr/service-client

FR

6.1 Dépannage

Cet appareil utilise le panneau de commande et un témoin LED rouge pour indiquer les dysfonctionnements.

PROBLÈME	CAUSE POSSIBLE	SOLUTION POSSIBLE
Tous les boutons du panneau de commande clignotent.	La tasse ou le couvercle n'est pas correctement fermé.	Vérifiez que la tasse, le couvercle et l'agitateur sont correctement positionnés.
Le bouton d'alimentation et le bouton haut/bas clignotent. La tête de la machine se déplace vers le haut et l'écran ne répond plus.	Le moteur a surchauffé en raison d'une utilisation prolongée.	1. Éteignez la machine. 2. Laissez refroidir la machine pendant au moins 10 minutes.
Le bouton haut/bas clignote et la tête de la machine se déplace automatiquement vers le haut.	Le moteur a surchauffé en raison du trop grand nombre d'ingrédients dans la tasse.	1. Attendez que le moteur se réinitialise automatiquement. 2. Réduisez la quantité d'ingrédients. 3. Ne remplissez jamais la tasse au-delà du repère MAX.
Le témoin LED indiquant l'état clignote 4 fois lentement	Trop d'ingrédients dans la tasse.	1. Attendez que l'appareil se réinitialise. 2. Retirez certains ingrédients. 3. Ne remplissez jamais au-delà du repère MAX.
Le témoin LED clignote 2x lentement	La tension du réseau est trop élevée.	1. Vérifiez que la tension indiquée sur la plaque signalétique correspond à la tension de la prise.
Le témoin LED clignote 3x lentement	La tension du réseau est trop faible.	2. Utilisez une autre prise si nécessaire.
Le témoin LED clignote 2 fois rapidement	Le système effectue un contrôle.	1. Retirez la fiche de la prise. 2. Attendez 10 secondes. 3. Rebranchez la fiche dans la prise.
Le témoin LED clignote 4 fois rapidement	L'appareil consomme trop d'énergie en mode veille.	4. Contactez le service clientèle si le problème persiste.
Le témoin LED clignote 5 fois lentement	Le moteur est bloqué.	
Le témoin LED clignote 5 fois rapidement	Il y a un dysfonctionnement dans un composant interne.	
Le bouton d'alimentation est allumé.		

7. TRANSPORT ET STOCKAGE

1. Nettoyez l'appareil, voir chapitre 5.1.
2. Placez l'appareil sur une surface plane et stable.
3. Branchez la fiche du câble d'alimentation dans une prise.
4. Mettez l'interrupteur principal en position « marche ».
 - Le bouton marche/arrêt apparaît à l'écran. Il indique que l'appareil est en veille.
5. Appuyez sur le bouton d'alimentation du panneau de commande de l'appareil.
6. Fixez un gobelet à l'endroit prévu à cet effet. Remarque : la tête de la machine ne peut être abaissée en position la plus basse que si un gobelet est correctement fixé.
7. Appuyez sur le bouton haut/bas pour placer la tête de la machine dans la position la plus basse.
8. Mettez l'interrupteur principal en position « arrêt ».
9. Retirez la fiche de la prise.
10. Rangez l'appareil dans son emballage d'origine, dans un endroit sec et fermé.

8. MISE AU REBUT

8.1 Éliminer l'emballage

L'emballage est composé de différents matériaux. Lors de l'élimination de l'emballage, veillez à respecter la réglementation nationale et locale relative à l'élimination respectueuse de l'environnement des emballages.

8.2 Éliminer l'appareil



Les matériaux utilisés dans cet appareil et marqués de ce symbole sont recyclables. La marque indique que ce produit ne doit pas être éliminé avec les déchets ménagers dans l'ensemble de l'UE.



Ce symbole indique que l'appareil ne doit pas être jeté avec les autres déchets ménagers au sein de l'UE. En éliminant l'appareil correctement, vous contribuerez à prévenir les risques pour l'environnement et la santé humaine. Le recyclage des matériaux contribue à la préservation des ressources naturelles. Par conséquent, ne jetez pas les appareils électroniques mis au rebut avec les déchets ménagers. Lors de la mise au rebut de l'appareil, respectez les réglementations nationales et locales concernant la mise au rebut écologique des équipements électroniques. Ou contactez le magasin où vous avez acheté le produit.

COORDONNÉES PIERRE

Wisepick Productions B.V.

Le service client est joignable via : <https://www.coolblue.be/fr/service-client>

WISEPICK PRODUCTIONS B.V.

Weena 664

3012 CN Rotterdam

Pays-Bas

BENUTZERINFORMATION

VORWORT 55

1. SICHERHEIT 57

- 1.1 Sicherheitshinweise und -vorschriften 57
- 1.2 Bestimmungsgemäße Verwendung und vorhersehbare nicht bestimmungsgemäße Verwendung 59

2 PRODUKTEIGENSCHAFTEN 61

- 2.1 Technische Daten 61
- 2.2 Hauptkomponenten 61
- 2.3 Bedienfeld 62
- 2.4 Garantie 62

3. INSTALLATION 63

- 3.1 Anforderungen an den Aufstellungsort 63
- 3.2 Auspacken des Geräts 63
- 3.3 Vorbereiten des Geräts für den Gebrauch 63
 - 3.3.1 Stellen Sie das Gerät auf die höchste Position ein 63
 - 3.3.2 Rührmesser und Becher entfernen 64
 - 3.3.3 Rührmesser und Becher vorspülen 65
 - 3.3.4 Rührmesser einsetzen 65
 - 3.3.5 Einfrieren von Zutaten 65
 - 3.3.6 Becher einsetzen 66

4. VERWENDUNG 67

- 4.1 Übersicht der Programmtasten 67
- 4.2 Herstellung von Speiseeis 67
- 4.3 Re-Spin-Funktion 68
- 4.4 Ausschalten des Geräts 68

5. REINIGUNG UND WARTUNG 69

- 5.1 Das Gerät reinigen 69

6. BEHEBEN VON STÖRUNGEN 70

- 6.1 Beheben von Störungen 70

7. TRANSPORT UND AUFBEWAHRUNG 71

8. ENTSORGUNG 71

- 8.1 Verpackungsmaterial entsorgen 71
- 8.2 Das Gerät entsorgen 71






VORWORT

ÜBER DIESES DOKUMENT

- Diese Gebrauchsanleitung enthält alle Informationen für den korrekten, effizienten und sicheren Gebrauch des Geräts.
- Diese Anleitung ist für den Endbenutzer und/oder Käufer dieses Geräts bestimmt.
- Achten Sie darauf, dass Sie die Anweisungen in dieser Anleitung vollständig gelesen und verstanden haben, bevor Sie das Gerät installieren oder verwenden. Bewahren Sie dieses Dokument für künftige Nachschlagezwecke auf, solange Sie das Gerät verwenden und/oder besitzen.
- Wisepick Productions B.V. kann in keiner Weise für immaterielle Schäden an Ihnen oder anderen oder Sachschäden am Gerät, an Ihrem Eigentum oder am Eigentum anderer haftbar gemacht werden, die durch die Nichtbefolgung oder inkorrekte Befolgung der Anweisungen in dieser Anleitung entstanden sind.
- In den Warnhinweisen und Sicherheitsvorschriften in dieser Anleitung werden nicht alle möglichen Umstände und Situationen besprochen.
- Wenn Sie sich an unseren Kundenservice wenden, sollten Sie unbedingt die Modellnummer zur Hand haben. Diese Angabe finden Sie auf dem Typenschild oder auf der Vorderseite dieser Anleitung.

DE

VERWENDETE SYMBOLE

SYMBOL	BESCHREIBUNG
 GEFAHR!	Weist auf Brandgefahr und/oder entzündliche Materialien hin.
 WARNUNG!	Zeigt eine gefährliche Situation an, die Ihnen oder anderen Personen schwere immaterielle Schäden zufügen kann, wenn sie nicht vermieden wird.
 VORSICHT!	Zeigt eine gefährliche Situation an, die Ihnen oder anderen Personen leichte immaterielle Schäden zufügen kann, wenn sie nicht vermieden wird.
 ACHTUNG!	Zeigt eine Situation an, die mit Sachschäden einhergehen kann.
 ANMERKUNG	Weist auf nützliche ergänzende Informationen hin.

ANMERKUNG

Die neueste Version dieses Handbuchs finden Sie auch online unter www.coolblue.de, wenn Sie nach der Artikelnummer suchen.

URheberRECHT

Die in dieser Gebrauchsanleitung abgebildeten Daten, darunter Texte, Fotos, Grafiken, Bildmarken, (Handels-)Namen und Logos, sind Eigentum der Wisepick Productions B.V. und unterliegen dem Urheberrecht, dem Markenrecht und/oder anderen geistigen Eigentumsrechten, es sei denn, diese Daten gehören einem Dritten. Ohne vorherige schriftliche Zustimmung von Wisepick Productions B.V. und/oder des Dritten, dem die Daten gehören, ist es nicht gestattet, den Inhalt der Gebrauchsanleitung ganz oder teilweise zu vervielfältigen, zu übertragen, zu verbreiten, zu speichern oder Dritten gegen Entgelt verfügbar zu machen.

KONTAKTDATEN

Pierre ist eine eingetragene Marke von Wisepick Productions B.V.

Den Kundendienst erreichen Sie unter: <https://www.coolblue.de/kundendienst>

WISEPICK PRODUCTIONS B.V.

Weena 664
3012 CN Rotterdam
Niederlande

1. SICHERHEIT

Stellen Sie sicher, dass Sie die Sicherheitsanweisungen vollständig gelesen und verstanden haben, bevor Sie das Gerät installieren, verwenden oder warten. So vermeiden Sie mögliche materielle und immaterielle Schäden bei Ihnen selbst oder anderen, am Gerät, an Ihrem sonstigen Eigentum oder am Eigentum anderer.

1.1 Sicherheitshinweise und -vorschriften

WARNUNG!

- Dieses Gerät ist nicht bestimmt für die Verwendung durch Personen (einschließlich Kindern) mit verminderten physischen, sensorischen oder geistigen Fähigkeiten oder mit einem Mangel an Erfahrung oder Kenntnis, es sei denn, sie stehen unter Aufsicht oder haben von einer für ihre Sicherheit verantwortlichen Person Anweisungen für den Gebrauch des Geräts erhalten.
- Lassen Sie Kinder nicht mit dem Gerät und dessen Teilen spielen. Das Gerät und seine Teile sind kein Spielzeug.
- Reinigungs- und Wartungsarbeiten dürfen nicht von unbeaufsichtigten Kindern durchgeführt werden.
- Verwenden Sie das Produkt nur wie in dieser Anleitung beschrieben.
- Verwenden Sie das Gerät nicht, wenn ein Teil davon beschädigt oder defekt ist. Ein beschädigtes oder defektes Gerät ist sofort zu ersetzen. Ziehen Sie das Netzkabel aus der geerdeten Steckdose und kontaktieren Sie den Kundenservice.

Erstickungsgefahr durch Sauerstoffmangel:

- Lassen Sie Kinder nie mit dem Verpackungsmaterial spielen. Das Verpackungsmaterial für Kinder unzugänglich aufbewahren.

Stromschlaggefahr durch Kurzschluss:

- Tauchen Sie das Gerät nie in Wasser oder andere Flüssigkeiten ein.
- Ziehen Sie immer den Stecker aus der Steckdose, bevor Sie das Gerät reinigen.
- Nehmen Sie keine Änderungen am Gerät vor. Öffnen oder reparieren Sie das Gerät nicht selbst. Das Gerät darf nur von einem autorisierten Servicetechniker repariert werden.

 **GEFAHR!**

Brandgefahr durch Kurzschluss:

- Kontrollieren Sie vor dem Gebrauch, ob die Spannung auf dem Typenschild mit der Spannung der Steckdose übereinstimmt. Schließen Sie das Gerät nur an eine geerdete Steckdose an.
- Verlegen Sie das Netzkabel nicht in der Nähe von Hitze, Öl, scharfen Kanten und beweglichen Teilen.
- Verwenden Sie kein Verlängerungskabel und keine Mehrfachsteckdose mit diesem Gerät.
- Sorgen Sie dafür, dass das Netzkabel nicht unter den Füßen des Geräts eingeklemmt wird.
- Drehen oder knicken Sie das Netzkabel nicht und rollen Sie es nicht auf. Die Isolierschicht des Netzkabels kann dadurch beschädigt werden.

Brandgefahr durch Überhitzung:

- Lassen Sie das Gerät nie unbeaufsichtigt, wenn es in Betrieb ist. Schalten Sie das Gerät aus und ziehen Sie den Netzstecker aus der geerdeten Steckdose, bevor Sie den Raum verlassen.
- Verwenden Sie niemals eine Zeitschaltuhr oder eine separate Fernbedienung, die das Gerät automatisch einschaltet.
- Wenn das Gerät während des Betriebs überhitzt, stoppt es automatisch. Warten Sie, bis das Zurücksetzen des Geräts abgeschlossen ist.
- Bewahren Sie keine explosiven oder leicht entzündlichen Stoffe wie Sprühdosen mit brennbarem Treibmittel im Gerät auf.

 **VORSICHT!**

Schnittgefahr durch scharfe Messerklingen:

- Stellen Sie das Gerät immer auf eine flache, stabile Oberfläche.
- Die Klingen des Messers sind extrem scharf. Gehen Sie vorsichtig mit dem Messer um. Bewahren Sie das Messer immer außerhalb der Reichweite von Kindern auf.
- Ziehen Sie immer den Netzstecker, bevor Sie das Messer einsetzen oder herausnehmen.
- Halten Sie Hände, Haare und Kleidung vom Becher fern, wenn das Gerät eingeschaltet ist.

- Nehmen Sie niemals den Deckel ab, während sich das Messer noch dreht.

Risiko einer Lebensmittelvergiftung:

- Reinigen Sie vor dem Gebrauch alle Teile, die mit Lebensmitteln in Berührung kommen, mit Wasser und einem milden Reinigungsmittel. Gründlich ausspülen und sorgfältig abtrocknen.

! ACHTUNG!

Gefahr von Beschädigungen am Gerät:

- Lassen Sie das Gerät nie fallen und vermeiden Sie Stöße. Übermäßige Vibrationen können dazu führen, dass sich Verbindungen lösen und die Funktionsfähigkeit des Geräts beeinträchtigt wird. Verwenden Sie das Gerät nicht mehr, wenn das Gerät heruntergefallen ist.
- Verwenden Sie nur das mit dem Produkt gelieferte Zubehör.
- Verwenden Sie das Gerät nicht mit einem leeren Becher.
- Dieses Gerät wird für die Verarbeitung kleiner Mengen verwendet. Überschreiten Sie nicht die in der Gebrauchsanweisung angegebene Menge.
- Verwenden Sie das Gerät nicht zum Mischen von glutenhaltigen Zutaten.
- Lassen Sie nie mehr als 6 Programme hintereinander laufen. Lassen Sie das Gerät nach 6 Programmen mindestens 10 Minuten abkühlen.
- Ziehen Sie nie am Netzkabel, um den Stecker aus der Steckdose zu ziehen. Nehmen Sie den Stecker immer fest in die Hand und ziehen Sie ihn gerade aus der Steckdose.
- Reinigen Sie das Gerät nie mit aggressiven chemischen Reinigungsmitteln, die das Gerät beschädigen können.

1.2 Bestimmungsgemäße Verwendung und vorhersehbare nicht bestimmungsgemäße Verwendung

- Dieses Gerät ist für die Zubereitung verschiedener Eissorten bestimmt.
- Dieses Gerät ist ausschließlich für die Verwendung im Haus gedacht.
- Dieses Gerät ist für den Hausgebrauch bestimmt.
- Dieses Gerät ist nicht bestimmt für die Verwendung durch Personen (einschließlich Kindern) mit verminderten

physischen, sensorischen oder geistigen Fähigkeiten oder mit einem Mangel an Erfahrung oder Kenntnis, es sei denn, sie stehen unter Aufsicht oder haben von einer für ihre Sicherheit verantwortlichen Person Anweisungen für den Gebrauch des Geräts erhalten.

- Dieses Gerät darf nicht von Kindern unter 8 Jahren verwendet werden.
- Jede andere als die in dieser Anleitung beschriebene Verwendung des Geräts gilt als nicht bestimmungsgemäße Verwendung und kann zu Sachschäden und immateriellen Schäden bei Ihnen selbst oder anderen, am Gerät, an Ihrem sonstigen Eigentum oder am Eigentum anderer sowie zum Erlöschen der Garantie führen.

2 PRODUKTEIGENSCHAFTEN

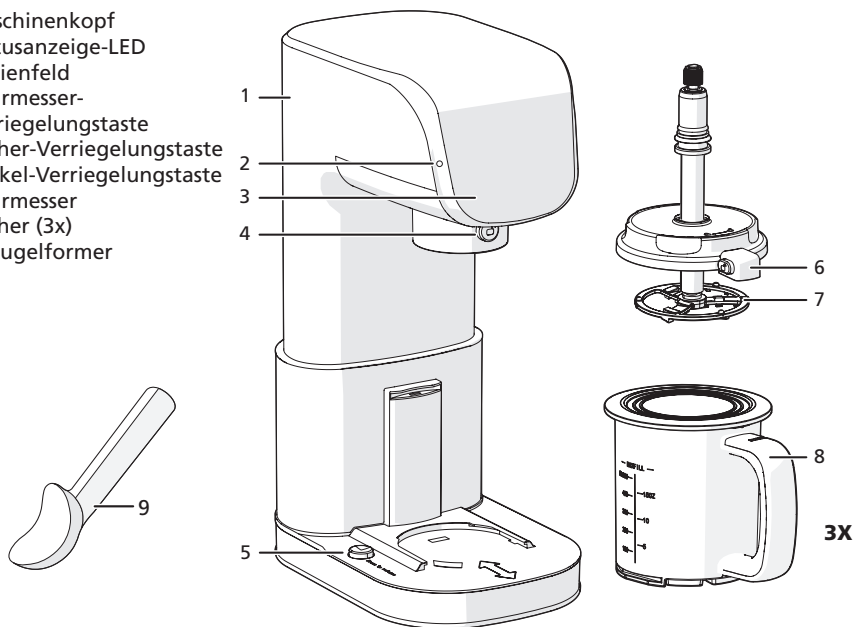
2.1 Technische Daten

Typ des Eismaschine	PICM7000
Abmessungen (L x B x H)	
Im Einsatz	185 x 314 x 446 mm
Bei der Aufbewahrung	185 x 314 x 337 mm
Stromversorgung	220–240 V ~ 50–60 Hz
Maximale elektrische Leistung	500 W
Stromverbrauch im Aus-Zustand	0,28 W
Maximale Dauer der ununterbrochenen Nutzung	6 Programme
Maximaler Inhalt des Bechers	568 ml

DE

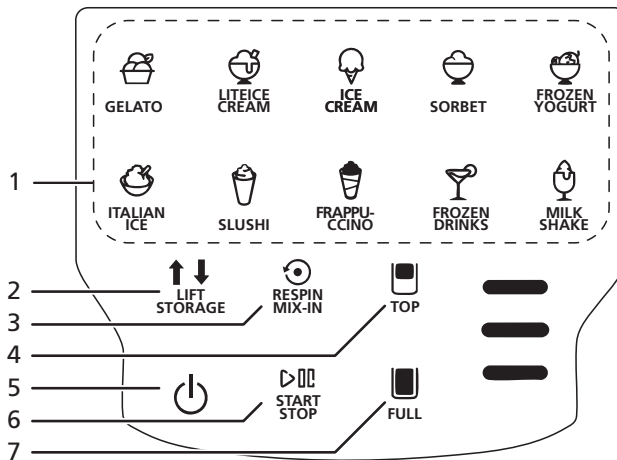
2.2 Hauptkomponenten

1. Maschinenkopf
2. Statusanzeige-LED
3. Bedienfeld
4. Rührmesser-Verriegelungstaste
5. Becher-Verriegelungstaste
6. Deckel-Verriegelungstaste
7. Rührmesser
8. Becher (3x)
9. Eiskugelformer



2.3 Bedienfeld

DE



1. Programmtasten
2. Taste Auf/Ab
3. Re-Spin-Taste
4. Halber-Becher-Taste
5. Ein-/Aus-Schalter
6. Start-/Pausentaste
7. Voller-Becher-Taste

2.4 Garantie

Auf dieses Gerät wird Garantie von drei Jahren ab dem Kaufdatum gewährt. Weitere Informationen zu den Garantiebedingungen finden Sie auf www.coolblue.de/kundendienst. In jedem Fall müssen Sie über den Kaufbeleg mit Kauf- und/oder Lieferdatum verfügen, um die Garantie in Anspruch nehmen zu können.

3. INSTALLATION

Lesen Sie die Sicherheitsinformationen in Kapitel 1 genau durch, bevor Sie das Gerät installieren.

3.1 Anforderungen an den Aufstellungsort

Stellen Sie das Gerät an einer Stelle auf, die den folgenden Bedingungen genügt:

- Eine flache, stabile, hitze- und feuchtigkeitsbeständige Oberfläche.
- Kein direktes Sonnenlicht.
- Nicht direkt neben Wärmequellen wie Öfen oder Herden.

3.2 Auspacken des Geräts



WARNUNG!

ERSTICKUNGSGEFAHR. Lassen Sie Kinder nie mit dem Verpackungsmaterial spielen. Das Verpackungsmaterial für Kinder unzugänglich aufbewahren.

Überprüfen Sie, ob alle Teile vorhanden sind und ob weder das Gerät noch das Zubehör Beschädigungen aufweisen.

Sollten Teile fehlen oder beschädigt sein, kontaktieren Sie bitte Coolblue: www.coolblue.de/kundendienst

3.3 Vorbereiten des Geräts für den Gebrauch



ACHTUNG!

Vor dem ersten Gebrauch:

- Reinigen Sie alle Teile der Eismaschine vor dem ersten Gebrauch.

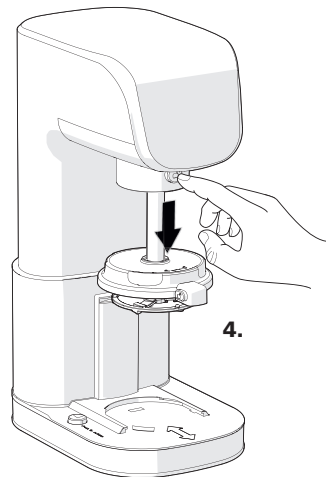
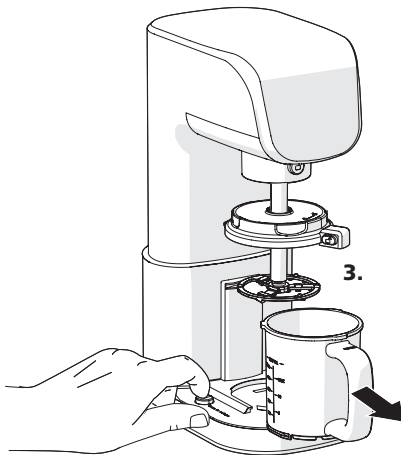
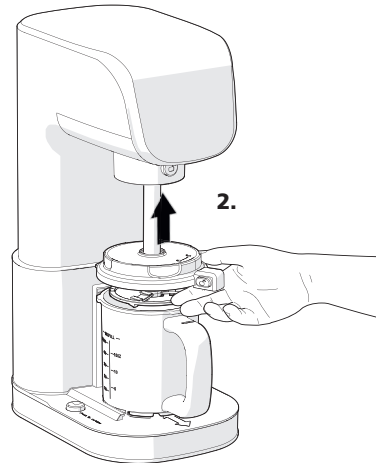
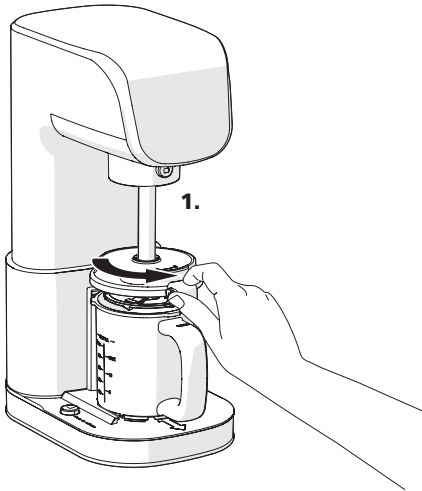
3.3.1 Stellen Sie das Gerät auf die höchste Position ein

1. Stellen Sie das Gerät auf eine flache, stabile Oberfläche.
2. Stecken Sie den Netzstecker des Geräts in die Steckdose.
3. Schalten Sie den Hauptschalter in die Position „Ein“.
Auf dem Bedienfeld blinkt die Ein-/Aus-Taste. Die blinkende Ein-/Aus-Taste zeigt an, dass sich das Gerät im Standby-Modus befindet.
4. Drücken Sie die Ein-/Aus-Taste.
5. Drücken Sie die Auf-/Ab-Taste.
Der Maschinenkopf fährt automatisch in die höchste Position.

3.3.2 Rührmesser und Becher entfernen

1. Halten Sie die Deckel-Verriegelungstaste gedrückt und drehen Sie den Deckel nach rechts.
2. Schieben Sie den Deckel hoch.
3. Halten Sie die Verriegelungstaste des Bechers mit einer Hand gedrückt, fassen Sie den Henkel des Bechers mit der anderen Hand und ziehen Sie den Becher zu sich heran.
4. Drücken Sie die Rührmesser-Verriegelungstaste und ziehen Sie das Rührmesser nach unten.

DE

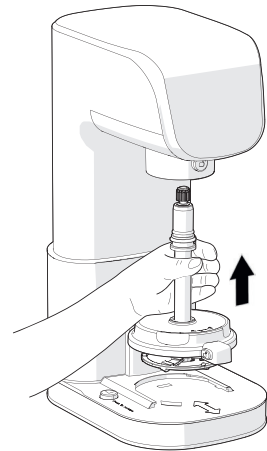


3.3.3 Rührmesser und Becher vorspülen

1. Nehmen Sie den Becher und das Rührmesser aus dem Gerät, siehe Kapitel 3.3.2.
2. Reinigen Sie den Becher und das Rührmesser mit warmem Wasser und einem milden Reinigungsmittel, oder stellen Sie den Becher und das Rührmesser in die Spülmaschine.

3.3.4 Rührmesser einsetzen

1. Bringen Sie das Gerät in die höchste Position, siehe Kapitel 3.3.1.
2. Richten Sie das Rührmesser mit der Öffnung unter dem Maschinenkopf aus und drücken Sie es nach oben, bis Sie ein deutliches Klicken hören.



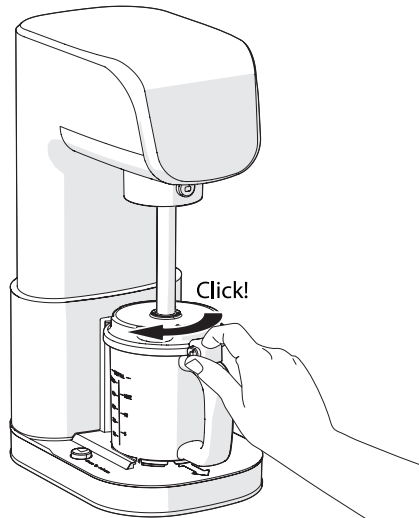
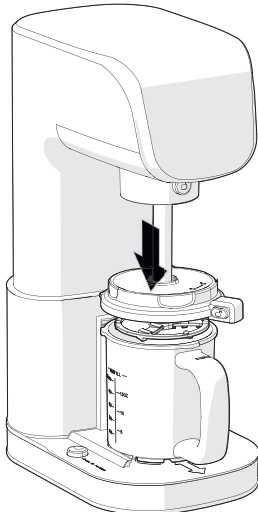
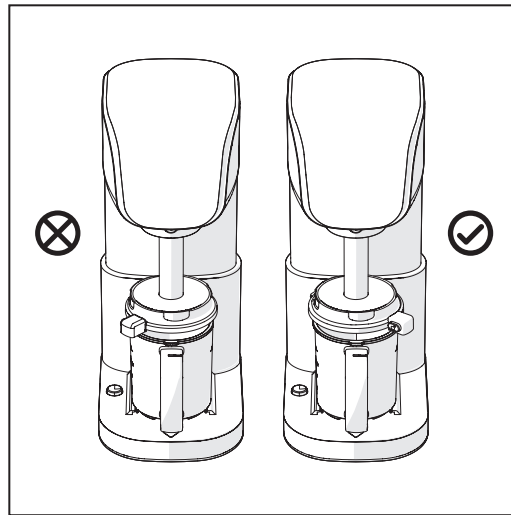
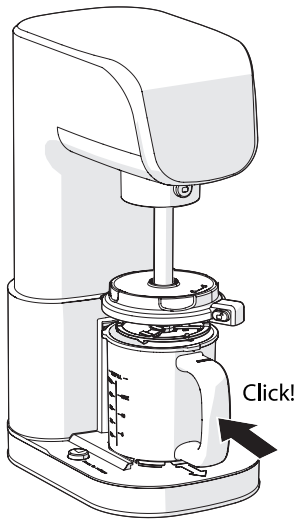
DE

3.3.5 Einfrieren von Zutaten

1. Wählen Sie die Zutaten entsprechend dem Rezept und Ihren persönlichen Vorlieben aus.
2. Füllen Sie den Becher mit den gewählten Zutaten. Füllen Sie niemals mehr ein als bis zur MAX-Markierung im Becher.
3. Stellen Sie den Becher in den Gefrierschrank.
Lassen Sie den Becher mindestens 24 Stunden lang im Gefrierfach stehen, bis der Inhalt vollständig gefroren ist.

3.3.6 Becher einsetzen











1. Bringen Sie den Maschinenkopf in die höchste Position, siehe Kapitel 3.3.1.
2. Setzen Sie das Rührmesser ein, siehe Kapitel 3.3.4.
3. Schieben Sie den Becher gerade in die Öffnungen des Becherhalters, bis Sie ein Klicken hören.
4. Drehen Sie den Deckel nach rechts, sodass sich die Verriegelung auf der rechten Seite des Bechergriffs befindet.
5. Drücken Sie den Deckel des Bechers nach unten, bis der Deckel vollständig am Becher anliegt.
6. Drehen Sie den Deckel nach links, bis Sie ein Klicken hören.



4. VERWENDUNG

Lesen Sie die Sicherheitsinformationen in Kapitel 1 aufmerksam durch, bevor Sie das Gerät in Gebrauch nehmen.

4.1 Übersicht der Programmtasten

	GELATO	Italienisches Speiseeis mit weniger Luft und einer dichten Textur.
	LITE ICE CREAM	Speiseeis mit reduziertem Fett- und Zuckergehalt.
	ICE CREAM	Klassische Eiscreme mit einer luftigen Textur.
	SORBET	Milchfreies Speiseeis auf Frucht- und Wasserbasis mit weicher Textur.
	FROZEN YOGHURT	Eis auf Joghurtbasis mit einem frischen Geschmack.
	ITALIAN ICE	Milchfreies Eis auf Frucht- und Wasserbasis mit stückiger Textur.
	SLUSHI	Fein gemahlene Eisgetränk mit Sirup oder Saft.
	FRAPPU-CCINO	Cremiger Eiskaffee auf der Basis von Eis und Sahne.
	FROZEN DRINKS	Fein gemahlene Eisgetränk mit Sirup, Saft und Alkohol.
	MILKSHAKE	Dickflüssiges Getränk aus Eis und Milch, eventuell aromatisiert.

DE

4.2 Herstellung von Speiseeis

1. Bereiten Sie das Gerät gemäß Kapitel 3.3 für den Gebrauch vor.
2. Drücken Sie eine Programmtaste Ihrer Wahl.
Das Symbol des ausgewählten Programms blinkt.
Die Taste für den vollen Becher blinkt.

Standardmäßig ist die Maschine so eingestellt, dass sie einen vollen Becher Eiscreme herstellt. Für einen halben Becher Eiscreme:

3. Drücken Sie die Taste für den halben Becher.
Die Taste für den halben Becher blinkt.
4. Drücken Sie die Start-/Pause-Taste.
Das ausgewählte Programm leuchtet auf.
Der Maschinenkopf bewegt sich zuerst nach unten und dann nach oben.
5. Drücken Sie die Start-/Pause-Taste, um das Programm zu unterbrechen.
6. Warten Sie, bis das Programm beendet ist.
Das Programm ist beendet, wenn sich die Messer nicht mehr drehen und alle Symbole auf dem Bedienfeld aufleuchten.
7. Halten Sie die Deckel-Verriegelungstaste gedrückt und drehen Sie den Deckel nach rechts.
8. Fassen Sie den Deckel mit beiden Händen und schieben Sie ihn nach oben.
9. Halten Sie die Verriegelungstaste des Bechers mit einer Hand gedrückt, fassen Sie den Henkel des Bechers mit der anderen Hand und ziehen Sie den Becher zu sich heran.

4.3 Re-Spin-Funktion

Verwenden Sie die Re-Spin-Funktion nach dem Programm, um Ihrem Eis eine noch glattere Textur zu verleihen, oder fügen Sie zusätzliche Zutaten wie Schokoladensplitter, Nüsse oder Früchte hinzu.

1. Bereiten Sie ein Eis Ihrer Wahl zu, siehe Kapitel 4.2.
2. Setzen Sie den Becher in das Gerät ein, siehe Kapitel 3.3.6. Gegebenenfalls weitere Zutaten hinzufügen.
3. Drücken Sie die Re-Spin-Taste.
Die Re-Spin-Taste blinkt.
4. Drücken Sie die Start-/Pause-Taste.
Das ausgewählte Programm leuchtet auf.
Der Maschinenkopf bewegt sich zuerst nach unten und dann nach oben.
5. Drücken Sie die Start-/Pause-Taste, um das Programm zu unterbrechen.
6. Warten Sie, bis das Programm beendet ist.
Das Programm ist beendet, wenn sich die Messer nicht mehr drehen und alle Symbole auf dem Bedienfeld aufleuchten.
7. Fassen Sie den Deckel mit beiden Händen und schieben Sie ihn nach oben.
8. Halten Sie die Verriegelungstaste des Bechers mit einer Hand gedrückt, fassen Sie den Henkel des Bechers mit der anderen Hand und ziehen Sie den Becher zu sich heran.

4.4 Ausschalten des Geräts



WARNUNG!

Lassen Sie das Gerät nie unbeaufsichtigt, wenn es in Betrieb ist. Schalten Sie das Gerät aus und ziehen Sie den Netzstecker aus der geerdeten Steckdose, bevor Sie den Raum verlassen.

Um das Gerät auszuschalten:

- Schalten Sie den Hauptschalter in die Position „Aus“.

5. REINIGUNG UND WARTUNG

Lesen Sie die Sicherheitsinformationen in Kapitel 1 aufmerksam durch, bevor Sie das Gerät warten und reinigen.

5.1 Das Gerät reinigen



WARNUNG!

Tauchen Sie das Gerät nie in Wasser oder andere Flüssigkeiten ein.

Ziehen Sie immer den Stecker aus der Steckdose, bevor Sie das Gerät reinigen.



VORSICHT!

Lassen Sie das Gerät immer vollständig abkühlen und ziehen Sie den Stecker aus der geerdeten Steckdose, bevor Sie das Gerät warten oder reinigen.



ACHTUNG!

Reinigen Sie das Gerät nie mit aggressiven oder scheuernden Reinigungsmitteln oder scharfen Gegenständen.

Reinigen Sie das Gerät nach jedem Gebrauch gründlich.

1. Entfernen Sie den Becher und das Rührmesser, siehe Kapitel 3.3.2.
2. Reinigen Sie den Becher und das Rührmesser mit warmem Wasser und Spülmittel oder stellen Sie sie in die Spülmaschine.
 - Der Becher und das Rührmesser sind spülmaschinenfest.
3. Schalten Sie den Hauptschalter in die Position „Aus“.
4. Ziehen Sie den Stecker aus der Steckdose.
5. Reinigen Sie die Außenseite des Geräts mit einem weichen, feuchten Tuch.
6. Trocknen Sie alle Teile mit einem weichen Tuch ab.

6. BEHEBEN VON STÖRUNGEN

Einige Probleme können Sie einfach anhand der untenstehenden Tabelle selbst beheben. Falls die nachfolgenden Beschreibungen Ihr Problem nicht lösen, wenden Sie sich bitte an unseren Kundendienst: www.coolblue.de/kundendienst

6.1 Beheben von Störungen

Dieses Gerät verwendet das Bedienfeld und eine rote Statusanzeige-LED, um Störungen anzuzeigen.

DE

PROBLEM	MÖGLICHE URSACHE	MÖGLICHE LÖSUNG
Alle Tasten auf dem Bedienfeld blinken.	Der Becher oder Deckel ist nicht richtig verriegelt.	Überprüfen Sie, ob der Becher, der Deckel und das Rührmesser richtig positioniert sind.
Sowohl die Ein-/Aus-Taste als auch die Auf-/Ab-Taste blinken. Der Maschinenkopf fährt nach oben und das Display reagiert nicht mehr.	Der Motor hat sich bei längerem Gebrauch überhitzt.	<ol style="list-style-type: none"> Schalten Sie die Eismaschine aus. Die Eismaschine mindestens 10 Minuten lang abkühlen lassen.
Die Auf-/Ab-Taste blinkt und der Maschinenkopf fährt automatisch nach oben.	Der Motor hat sich überhitzt, weil zu viele Zutaten im Becher sind.	<ol style="list-style-type: none"> Warten Sie, bis der Motor automatisch zurückgesetzt wird. Reduzieren Sie die Menge der Zutaten. Füllen Sie den Becher nie über die MAX-Markierung hinaus.
Statusanzeige-LED blinkt 4x langsam	Zu viele Zutaten im Becher.	<ol style="list-style-type: none"> Warten Sie, bis das Gerät zurückgesetzt ist. Entfernen Sie einen Teil der Zutaten. Niemals über die MAX-Markierung hinaus befüllen.
LED blinkt 2x langsam	Die Netzspannung ist zu hoch.	1. Überprüfen Sie, ob die auf dem Typenschild angegebene Spannung mit der Spannung der Steckdose übereinstimmt.
LED blinkt 3x langsam	Die Netzspannung ist zu niedrig.	2. Verwenden Sie gegebenenfalls eine andere Steckdose.
LED blinkt 2x schnell	Das System führt eine Prüfung durch.	<ol style="list-style-type: none"> Ziehen Sie den Stecker aus der Steckdose. Warten Sie 10 Sekunden. Stecken Sie den Stecker wieder in die Steckdose. Wenden Sie sich an den Kundendienst, wenn das Problem weiterhin besteht.
LED blinkt 4x schnell	Das Gerät verbraucht im Standby-Modus zu viel Strom.	
LED blinkt 5x langsam	Der Motor ist blockiert.	
LED blinkt 5x schnell	Es liegt eine Störung in einer internen Komponente vor.	
Die Ein-/Aus-Taste leuchtet.		

7. TRANSPORT UND AUFBEWAHRUNG

1. Reinigen Sie das Gerät, siehe Kapitel 5.1.
2. Stellen Sie das Gerät auf eine flache, stabile Oberfläche.
3. Stecken Sie den Stecker des Stromkabels in eine Steckdose.
4. Schalten Sie den Hauptschalter in die Position „Ein“.
 - Die Ein-/Aus-Taste erscheint auf dem Display. Das zeigt an, dass sich das Gerät im Standby-Modus befindet.
5. Drücken Sie die Ein-/Aus-Taste auf dem Bedienfeld des Geräts.
6. Befestigen Sie einen Becher an der dafür vorgesehenen Position. Hinweis: Der Maschinenkopf kann nur in die unterste Position gefahren werden, wenn ein Becher korrekt angebracht ist.
7. Drücken Sie die Auf-/Ab-Taste, um den Maschinenkopf in die unterste Position zu bringen.
8. Schalten Sie den Hauptschalter in die Position „Aus“.
9. Ziehen Sie den Stecker aus der Steckdose.
10. Bewahren Sie das Gerät in der Originalverpackung in einem trockenen und geschlossenen Raum auf.

8. ENTSORGUNG

8.1 Verpackungsmaterial entsorgen

Das Verpackungsmaterial besteht aus verschiedenen Materialien. Befolgen Sie bei der Entsorgung des Verpackungsmaterials die nationalen und lokalen Vorschriften bezüglich der umweltfreundlichen Entsorgung von Verpackungsmaterial.

8.2 Das Gerät entsorgen



Die in diesem Gerät verwendeten Materialien, die mit diesem Symbol gekennzeichnet sind, sind recycelbar. Das Zeichen weist darauf hin, dass dieses Produkt in der gesamten EU nicht über den Hausmüll entsorgt werden darf.



Dieses Symbol zeigt an, dass das Gerät innerhalb der EU nicht mit anderen Haushaltsabfällen entsorgt werden darf. Indem Sie das Gerät sachgerecht entsorgen, tragen Sie dazu bei, mögliche Gefahren für die Umwelt und die menschliche Gesundheit zu vermeiden. Das Recycling von Materialien trägt zur Erhaltung der natürlichen Ressourcen bei. Entsorgen Sie ausrangierte elektronische Geräte daher nicht mit dem Hausmüll. Befolgen Sie bei der Entsorgung des Geräts die nationalen und lokalen Vorschriften bezüglich der umweltfreundlichen Entsorgung von Elektrogeräten. Oder wenden Sie sich an das Geschäft, in dem Sie das Produkt gekauft haben.

KONTAKTINFORMATIONEN PIERRE

Wisepick Productions B.V.

Den Kundendienst erreichen Sie unter www.coolblue.de/kundendienst

WISEPICK PRODUCTIONS B.V.

Weena 664 3012 CN Rotterdam
Niederlande







PIERRE

**Pierre is a registered trademark of Wisepick Productions B.V.
Weena 664
3012CN, Rotterdam
The Netherlands**

**www.coolblue.nl/klantenservice / www.coolblue.be/nl/klantenservice
www.coolblue.be/fr/service-client / www.coolblue.de/kundendienst**